

**The American Journal of Human Genetics, Volume 90
Supplemental Data**

**The Basque Paradigm: Genetic Evidence of a Maternal
Continuity in the Franco-Cantabrian
Region since Pre-Neolithic Times**

**Doron M. Behar, Christine Harmant, Jeremy Manry, Mannis van Oven, Wolfgang Haak, Begoña
Martinez-Cruz, Jasone Salaberria, Bernard Oyharçabal, Frédéric Bauduer, David Comas, and Lluís
Quintana-Murci, The Genographic Consortium**

Supplementary Acknowledgements

Genographic Consortium Members

Syama Adhikarla (Madurai Kamaraj University, Madurai, Tamil Nadu, India), Christina J. Adler (University of Adelaide, South Australia, Australia), Elena Balanovska (Research Centre for Medical Genetics, Russian Academy of Medical Sciences, Moscow, Russia), Oleg Balanovsky (Research Centre for Medical Genetics, Russian Academy of Medical Sciences, Moscow, Russia), Jaume Bertranpetit (Universitat Pompeu Fabra, Barcelona, Spain), Andrew C. Clarke (University of Otago, Dunedin, New Zealand), Alan Cooper (University of Adelaide, South Australia, Australia), Clio S. I. Der Sarkissian (University of Adelaide, South Australia, Australia), Matthew C. Dulik (University of Pennsylvania, Philadelphia, Pennsylvania, United States), Jill B. Gaieski (University of Pennsylvania, Philadelphia, Pennsylvania, United States), ArunKumar GaneshPrasad (Madurai Kamaraj University, Madurai, Tamil Nadu, India), Angela Hobbs (National Health Laboratory Service, Johannesburg, South Africa), Asif Javed (IBM, Yorktown Heights, New York, United States), Li Jin (Fudan University, Shanghai, China), Matthew E. Kaplan (University of Arizona, Tucson, Arizona, United States), Shilin Li (Fudan University, Shanghai, China), Elizabeth A. Matisoo-Smith (University of Otago, Dunedin, New Zealand), Marta Melé (Universitat Pompeu Fabra, Barcelona, Spain), Nirav C. Merchant (University of Arizona, Tucson, Arizona, United States), R. John Mitchell (La Trobe University, Melbourne, Victoria, Australia), Amanda C. Owings (University of Pennsylvania, Philadelphia, Pennsylvania, United States), Laxmi Parida (IBM, Yorktown Heights, New York, United States), Ramasamy Pitchappan (Madurai Kamaraj University, Madurai, Tamil Nadu, India), Daniel E. Platt (IBM, Yorktown Heights, New York, United States), Colin Renfrew (University of Cambridge, Cambridge, United Kingdom), Daniela R. Lacerda (Universidade Federal de Minas Gerais, Belo Horizonte, Minas Gerais, Brazil), Ajay K. Royyuru (IBM, Yorktown

Heights, New York, United States), Fabrício R. Santos (Universidade Federal de Minas Gerais, Belo Horizonte, Minas Gerais, Brazil), Theodore G. Schurr (University of Pennsylvania, Philadelphia, Pennsylvania, United States), Himla Soodyall (National Health Laboratory Service, Johannesburg, South Africa), David F. Soria Hernanz (National Geographic Society, Washington, District of Columbia, United States), Pandikumar Swamikrishnan (IBM, Somers, New York, United States), Chris Tyler-Smith (The Wellcome Trust Sanger Institute, Hinxton, United Kingdom), Arun Varatharajan Santhakumari (Madurai Kamaraj University, Madurai, Tamil Nadu, India), Pedro Paulo Vieira (Universidade Federal do Rio de Janeiro, Rio de Janeiro, Brazil), Miguel G. Vilar (University of Pennsylvania, Philadelphia, Pennsylvania, United States), R. Spencer Wells (National Geographic Society, Washington, District of Columbia, United States), Janet S. Ziegler (Applied Biosystems, Foster City, California, United States).

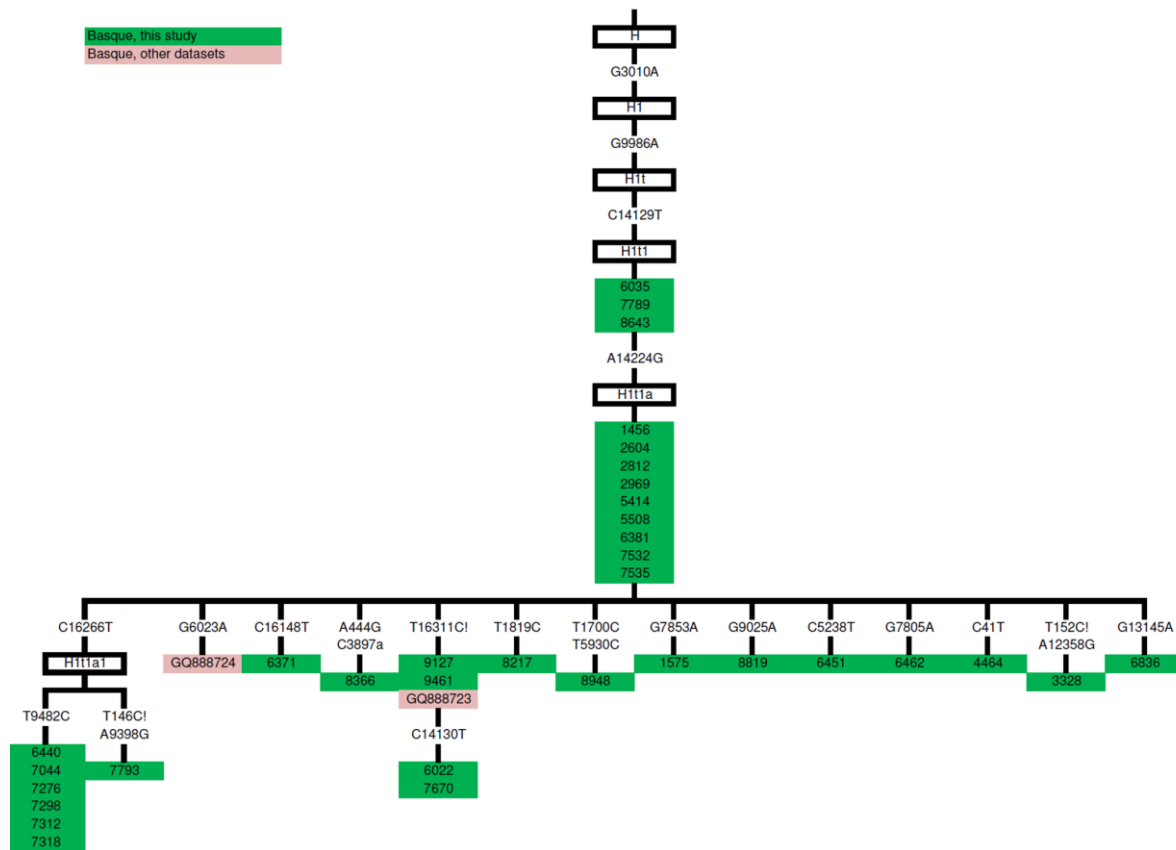


Figure S2. Haplogroup H1t1 Phylogeny

Detailed representation of the most parsimonious haplogroup H1t1 mtDNA phylogeny inferred from 36 complete mtDNA sequences. Phylogeny annotations follow those specified in Figure S1.

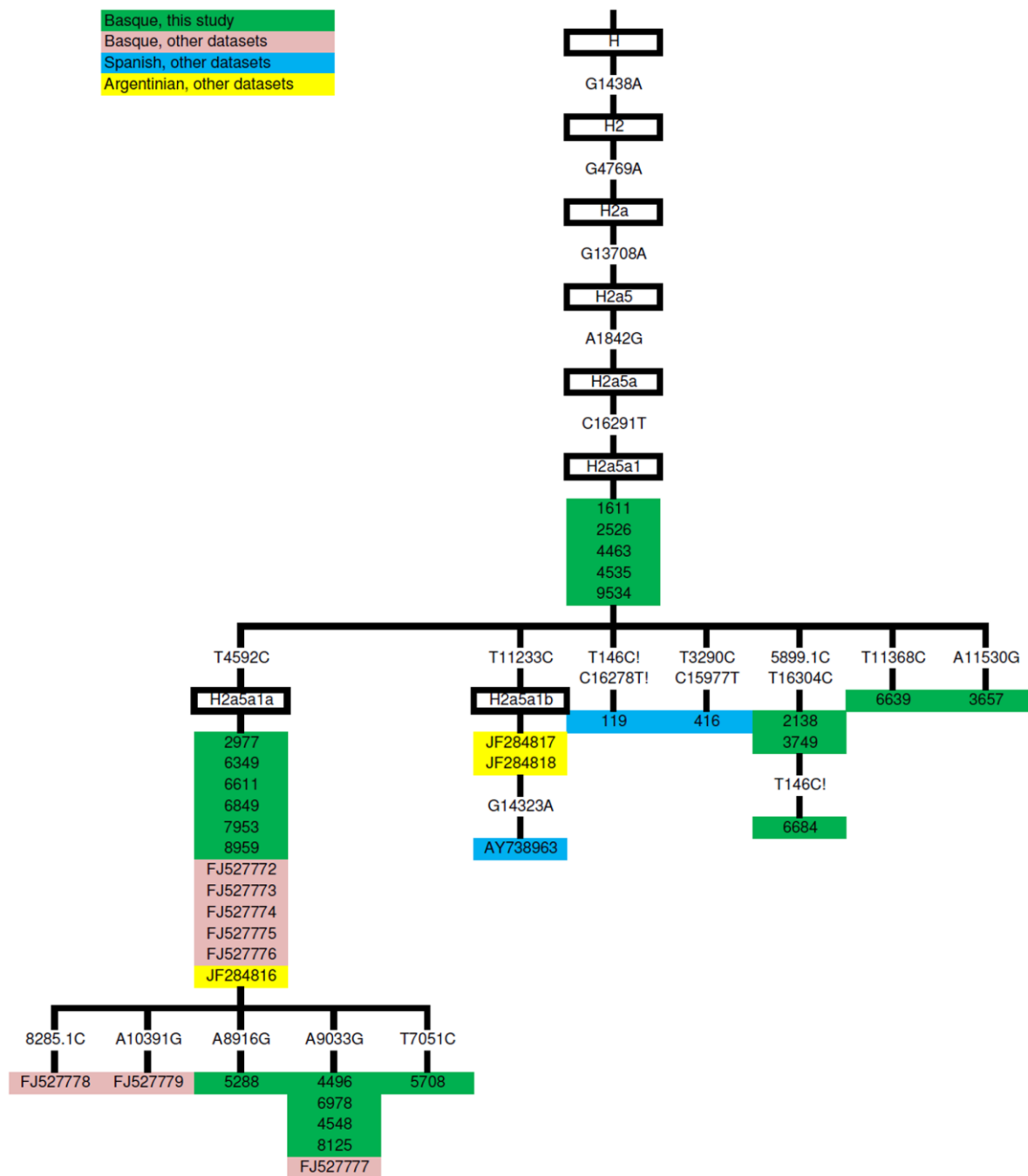


Figure S3. Haplogroup H2a5a1 Phylogeny

Detailed representation of the most parsimonious haplogroup H2a5a1 mtDNA phylogeny inferred from 36 complete mtDNA sequences. Phylogeny annotations follow those specified in Figure S1.

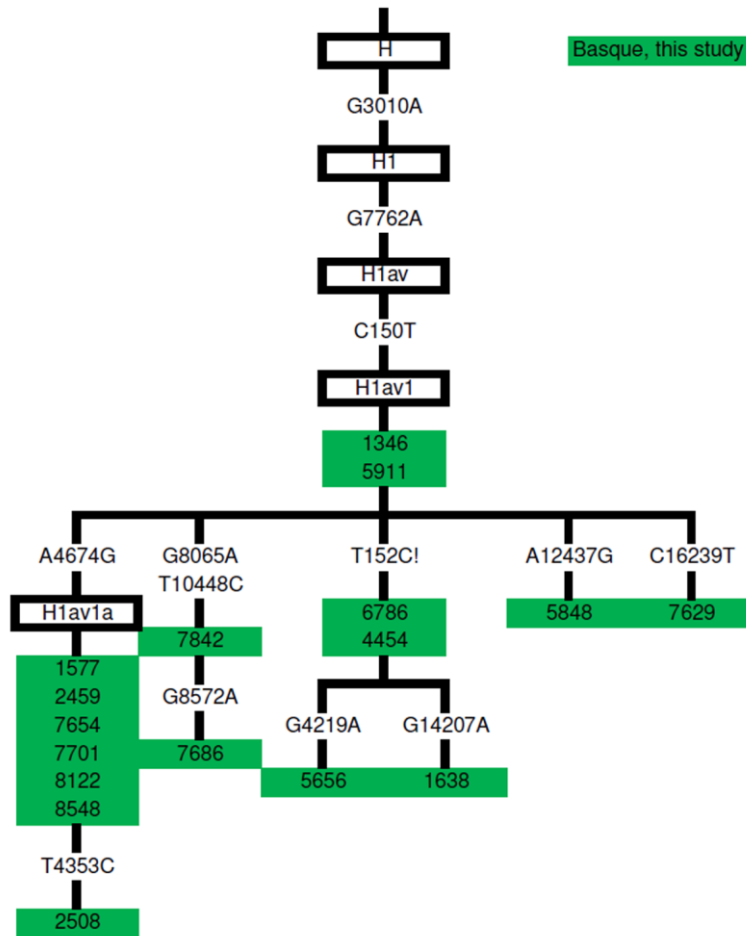


Figure S4. Haplogroup H1av1 Phylogeny

Detailed representation of the most parsimonious haplogroup H1av1 mtDNA phylogeny inferred from 17 complete mtDNA sequences. Phylogeny annotations follow those specified in Figure S1.

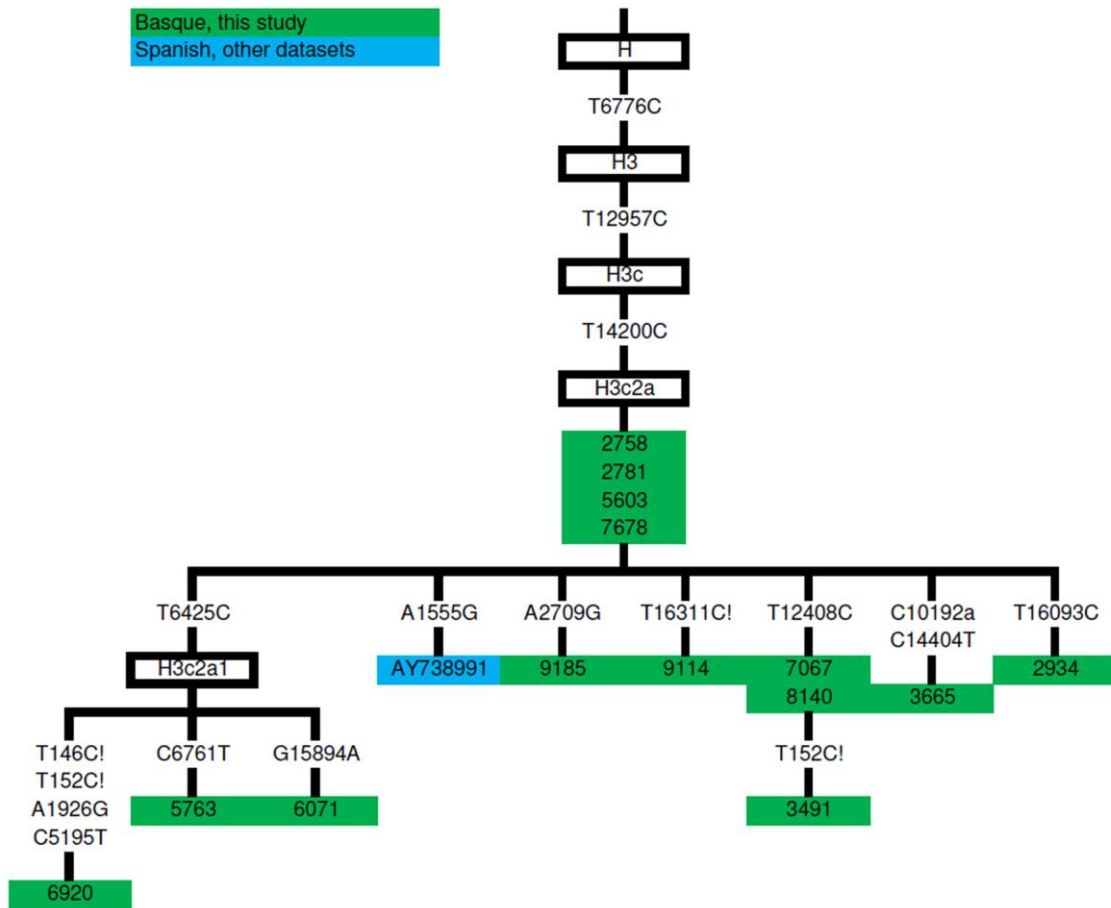


Figure S5. Haplogroup H3c2a Phylogeny

Detailed representation of the most parsimonious haplogroup H3c2a mtDNA phylogeny inferred from 15 complete mtDNA sequences. Phylogeny annotations follow those specified in Figure S1.

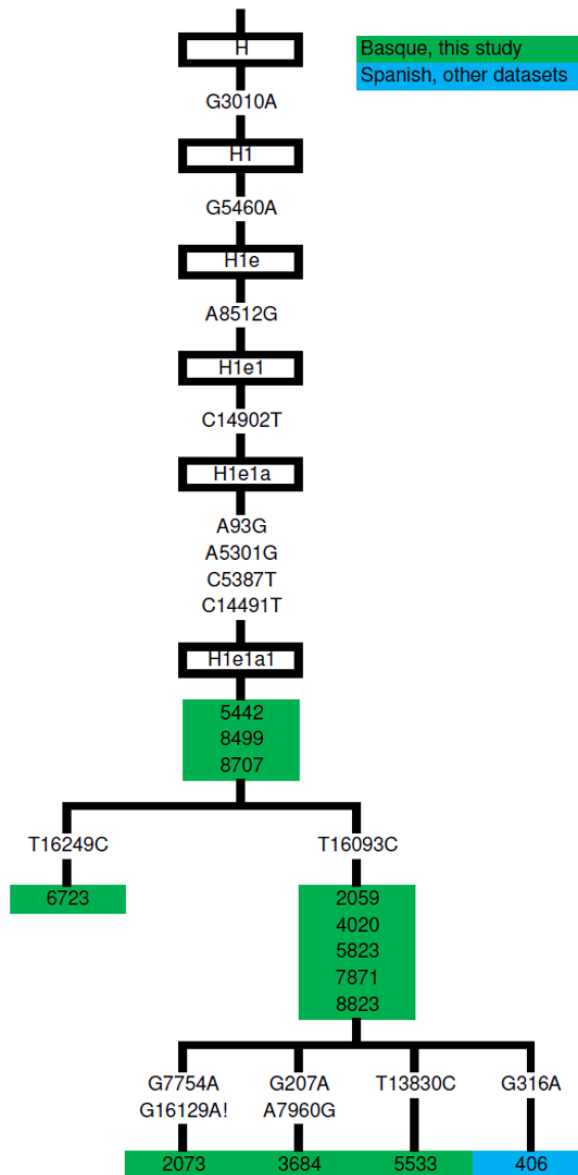


Figure S6. Haplogroup H1e1a1 Phylogeny

Detailed representation of the most parsimonious haplogroup H1e1a1 mtDNA phylogeny inferred from 13 complete mtDNA sequences. Phylogeny annotations follow those specified in Figure S1.

Table S1. Basque and Non-Basque speaking Populations Used in the Present Study

Zone	Location	Language	Region	Sample size
A	1	French (Gascon)	Bigorre	48
A	2	French (Gascon)	Bearn	56
A	3	French (Gascon)	Chalosse	60
B	4	Basque	Lapurdi/Baztan	58
B	5	Basque	Lapurdi Nafarroa	73
B	6	Basque	Zuberoa	62
C	7	Basque extinct	North Eastern Nafarroa (Roncal and Salazar valleys)	55
C	8	Basque extinct	Central Western Nafarroa	64
C	12	Basque extinct	Araba	56
D	9	Basque	North Western Nafarroa	53
D	10	Basque	Gipuzkoa	56
D	11	Basque	South Western Gipuzkoa	63
D	13	Basque	Bizkaia	59
E	14	Castilian	Western Bizkaia	21
F	15	Castilian	Cantabria	19
F	16	Castilian	Northern Burgos	24
F	17	Castilian	La Rioja	52
F	18	Castilian	Northern Aragon	29

Table S2. Haplogroup Affiliation and HVSI/II Sequences in the 908 Samples of the Present Study

ID	ZC ^a	ZCd ^b	Region	From np 16024 to np 16569 (including HVS-I)	From np 1 to np 576 (including HVS-II).	HG
1111	A	1	Bigorre	16114a 16189C 16234T 16519C	263G 315.1C	H
1112	A	1	Bigorre	16114a 16189C 16234T 16519C	263G 315.1C	H
1118	A	1	Bigorre	16093C 16223T 16234T 16288C 16293G 16298C 16327T 16518t 16519C 16527T	054A 073G 249d 263G 309.1C 309.2C 315.1C 489C	C
1122	C	8	Navarra CW	16294T 16519C	263G 291.1A 309.1C 315.1C	H
1123	C	8	Navarra CW	CRS	263G 315.1C	H
1136	C	8	Navarra CW	16298C	072C 150T 263G 309.1C 315.1C	V
1142	F	17	La Rioja	16209C 16519C	185A 263G 315.1C	H
1169	A	1	Bigorre	CRS	073G 263G 282C 309.1C 315.1C 523.1C 523.2A	U
1171	A	1	Bigorre	16183c 16189C 16519C	263G 309.1C 315.1C 309.1C 315.1C	H
1177	A	1	Bigorre	16069T 16126C 16311C	073G 152C 185A 228A 263G 295T 315.1C 462T 482C 489C	J
1192	E	14	Biscaye W	16233G	195C 263G 315.1C 522d 523d	H
1194	E	14	Biscaye W	16519C	263G 315.1C	H
1206	E	14	Biscaye W	16129A 16311C 16519C	260G/T 263G 309.1C 309.2C 315.1C	H
1211	E	14	Biscaye W	16298C 16311C	072C 263G 315.1C	HV
1216	B	4	Labourdin	16192T 16270T 16319A	073G 150T 263G 315.1C 533G	U
1217	B	4	Labourdin	16129A 16519C	263G 309.1C 315.1C	H
1231	B	4	Labourdin	16192T 16270T 16319A	073G 150T 263G 315.1C 533G	U
1237	A	1	Bigorre	16183c 16189C 16223T 16278T 16519C	073G 195C 200G 225A 226C 263G 309.1C 309.2C 315.1C	X
1241	A	3	Chalosse	16304C	263G 309.1C 315.1C 456T	H
1251	A	3	Chalosse	CRS	263G 309.1C 309.2C 315.1C 573.XC	H
1256	C	8	Navarra CW	16214T 16343G 16390A 16519C 16527T	073G 150T 263G 315.1C	U
1262	C	8	Navarra CW	16129A 16223T 16391A 16519C	073G 199C 204C 250C 263G 309.1C 315.1C 573.XC	I
1266	C	8	Navarra CW	16145A 16176g 16223T 16352C 16390A	073G 106d 107d 108d 109d 110d 111d 152C 195C 263G 315.1C 522d 523d	N1
1267	C	8	Navarra CW	16519C	263G 309.1C 315.1C	H
1275	B	4	Labourdin	16519C	152C 263G 309.1C 315.1C	H
1285	B	4	Labourdin	16192T 16270T 16319A	073G 150T 263G 315.1C 533G	U
1298	B	4	Labourdin	16519C	263G 309.1C 309.2C 315.1C 477C	H
1299	A	3	Chalosse	16069T 16126C	073G 228A 263G 295T 309.1C 315.1C 462T 482C 489C	J
1321	A	3	Chalosse	CRS	263G 309.1C 309.2C 315.1C 573.XC	H
1323	A	3	Chalosse	16294T 16519C	263G 315.1C	H
1324	C	7	Navarra NE	16126C 16266T 16291T 16294T 16304C 16519C	073G 263G 309.1C 315.1C 385G	T
1325	C	7	Navarra NE	16192T 16270T 16319A	073G 150T 263G 315.1C 533G	U
1337	E	14	Biscaye W	16184T	044.1C 055C 057C 146C 263G 309.1C 309.2C 315.1C	H
1339	E	14	Biscaye W	16311C 16519C	263G 315.1C	H
1342	F	17	La Rioja	16129A 16519C	263G 315.1C	H
1346	F	17	La Rioja	16519C	150T 263G 315.1C	H
1349	F	17	La Rioja	16037G 16368C 16519C	263G 315.1C 522d 523d	H
1352	A	3	Chalosse	CRS	263G 309.1C 309.2C 315.1C 573.XC	H
1357	A	3	Chalosse	16129A 16519C	263G 309.1C 309.2C 315.1C	H
1360	A	3	Chalosse	16104T 16176T 16311C 16362C 16519C	263G 309.1C 315.1C	H
1370	E	14	Biscaye W	16189C 16256T 16270T	073G 150T 200G 263G 309.1C 315.1C	U
1377	A	1	Bigorre	16126C 16223T 16294T 16296T 16304C 16519C	073G 199C 204C 263G 309.1C 315.1C 573.XC	T
1386	A	1	Bigorre	16224C 16311C 16519C	073G 152C 263G 315.1C 497T	K

1390	A	1	Bigorre	16192T 16270T 16319A	073G 150T 263G 315.1C 533G	U
1392	F	18	Aragon	16298C	072C 195C 263G 309.1C 309.2C 315.1C 340T 508G 523.1C 523.2A	HV
1401	F	18	Aragon	16051G 16129c 16183c 16189C 16362C 16519C	073G 152C 217C 263G 309.1C 309.2C 315.1C 340T	U
1404	F	18	Aragon	16176T 16270T 16304C	073G 150T 152C 228A 263G 315.1C	U
1414	A	3	Chalosse	16519C	072C 151T 263G 309.1C 315.1C	V
1427	A	3	Chalosse	16298C 16390A 16519C	263G 309.1C 309.2C 315.1C	V
1436	A	3	Chalosse	16482G	239C 263G 315.1C	H
1440	A	3	Chalosse	16051G 16092C 16162G 16519C	073G 263G 315.1C 522d 523d 534T	H
1450	A	3	Chalosse	16224C 16519C	073G 152C 263G 315.1C 497T 523.1C 523.2A 523.3C 523.4A	K
1456	A	3	Chalosse	16519C	263G 315.1C	H
1457	A	3	Chalosse	16093C 16172C 16183c 16189C 16219G 16278T	073G 185A 263G 315.1C	U
1459	F	17	La Rioja	16192T 16270T 16319A	073G 150T 263G 315.1C 533G	U
1467	F	17	La Rioja	16189C 16519C	204C 263G 309.1C 315.1C	H
1468	F	17	La Rioja	16304C	152C 263G 315.1C 456T	H
1471	A	3	Chalosse	CRS	195C 263G 309.1C 315.1C 522d 523d	H
1478	A	3	Chalosse	16192T 16270T 16319A	073G 150T 263G 315.1C 533G	U
1507	A	3	Chalosse	16224C 16519C	073G 152C 263G 315.1C 497T 523.1C 523.2A	K
1510	A	1	Bigorre	16126C 16526A	152C 263G 309.1C 309.2C 315.1C	H
1532	A	1	Bigorre	16519C	263G 309.1C 315.1C	H
1546	A	1	Bigorre	16356C 16519C	073G 195C 263G 310C 499A	U
1560	A	1	Bigorre	16298C	072C 263G 315.1C	V
1567	F	17	La Rioja	16069T 16304C	263G 309.1C 315.1C 456T 522d 523d	H
1571	F	17	La Rioja	16519C	152C 263G 309.1C 309.2C 315.1C	H
1575	F	17	La Rioja	16519C	263G 315.1C	H
1577	D	13	Biscaye	16519C	150T 263G 309.1C 315.1C	H
1589	D	13	Biscaye	16293G 16519C	263G 315.1C	H
1604	D	13	Biscaye	16129A 16519C	263G 309.1C 309.2C 315.1C	H
1611	D	13	Biscaye	16291T 16519C	263G 309.1C 315.1C	H
1623	D	13	Biscaye	16298T	072C 263G 309.1C 315.1C	V
1625	D	13	Biscaye	16192T 16270T 16319A	073G 150T 263G 315.1C 533G	U
1634	D	13	Biscaye	16519C	263G 315.1C	H
1638	D	13	Biscaye	16519C	150T 152C 263G 309.1C 315.1C	H
1645	D	13	Biscaye	16126C 16266T 16294T 16304C 16519C	073G 198T 263G 309.1C 315.1C 385G	T
1657	F	16	Burgos	16356C 16519C	073G 146C 152C 195C 263G 315.1C 499A	U
1658	F	16	Burgos	16189C	263G 315.1C 522d 523d	H
1688	F	16	Burgos	16189C 16256T 16270T	073G 150T 200G 263G 309.1C 315.1C	U
1689	A	2	Bearn	16298C	072C 263G 309.1C 309.2C 315.1C	V
1698	A	2	Bearn	16093C 16311C	150T 212C 263G 309.1C 315.1C	HV
1699	A	2	Bearn	16192T 16319A	073G 150T 263G 315.1C 533G	U
1704	A	2	Bearn	16311C 16519C	263G 309.1C 315.1C	H
1715	F	17	La Rioja	16129A 16390A 16519C	263G 309.1C 309.2C 315.1C	H
1719	F	17	La Rioja	16069T 16126C	073G 185A 189A/G 263G 295T 315.1C 462T 489C	J
1737	F	17	La Rioja	16519C	263G 315.1C	H
1745	F	15	Cantabria	16519C	263G 309.1C 315.1C	H
1751	F	17	La Rioja	16189C 16192T 16270T	073G 150T 152C 263G 309.1C 315.1C	U
1757	F	17	La Rioja	16129A 16241G 16519C	263G 309.1C 315.1C	H
1761	A	2	Bearn	16189C 16192T 16270T 16319A	073G 150T 263G 315.1C 533G	U
1792	A	2	Bearn	16093C 16304g 16311C	263G 315.1C 456T	H

1796	A	2	Bearn	16192T 16270T 16319A	073G 150T 263G 315.1C 522d 523d 533G	U
1800	A	2	Bearn	16519C	263G 309.1C 315.1C	H
1803	F	17	La Rioja	16180G 16224C 16249C 16311C 16519C	073G 263G 315.1C 408a 497T 523.1C 523.2A	K
1806	F	17	La Rioja	16126C 16294T 16296T 16304C 16519C	073G 146C 151T 263G 315.1C	T
1807	F	17	La Rioja	16519C	073G 150T 263G 315.1C	U
1808	F	17	La Rioja	16051G 16129c 16183c 16189C 16362C 16519C	073G 152C 217C 263G 309.1C 315.1C 340T 508G	U
1815	F	17	La Rioja	16129A 16223T 16261T 16391A 16519C	073G 152C 199C 204C 207A 250C 263G 309.1C 315.1C 573.XC	I
1818	F	17	La Rioja	16069T 16126C 16145A 16222T 16261T	073G 263G 295T 315.1C 462T 489C	J
1836	A	2	Bearn	16192T 16270T 16319A	073G 150T 263G 315.1C 533G	U
1858	A	2	Bearn	16145A 16172C 16189C 16243C 16256T 16270T 16399G	073G 195C 263G 309.1C 315.1C 573.XC	U
1861	F	17	La Rioja	16189C 16519C	152C 263G 315.1C	H
1886	F	18	Aragon	16256T 16519C	263G 315.1C	H
1892	F	18	Aragon	16069T 16126C 16185T 16189C	073G 185A 228A 263G 295T 315.1C 462T 489C	J
1895	A	2	Bearn	16362C	146C 239C 263G 309.1C 309.2C 315.1C	H
1906	A	2	Bearn	16224C 16234T 16311C 16519C	073G 146C 150T 263G 315.1C	K
1912	C	8	Navarra CW	16162G 16209C 16311C 16519C	073G 150T 263G 315.1C	H
1918	C	8	Navarra CW	16298C	072C 150T 263G 309.1C 309.2C 315.1C	V
1924	E	14	Biscaye W	16183c 16189C 16223T 16278T 16519C	073G 146C 153G 195C 198T 225A 226C 263G 309.1C 315.1C	X
1928	B	6	Soule	16181c 16182c 16183c 16189C 16519C	073G 146C 153G 263G 315.1C 522d 523d	X
1934	B	6	Soule	16183c 16189C 16223T 16278T 16355T 16519C	073G 153G 195C 225A 226C 263G 309.1C 315.1C	X
1952	F	17	La Rioja	16519C	263G 315.1C	H
1954	F	17	La Rioja	16519C	152C 263G 309.1C 315.1C	H
1964	F	17	La Rioja	16126C 16169T 16292T 16294T 16519C	073G 146C 152C 189G 194.1T 263G 279C 309.1C 315.1C	T
1979	C	8	Navarra CW	16270T	073G 150T 263G 309.1C 315.1C 523.1C 523.2A	U
1985	C	8	Navarra CW	16069T 16126C 16193T 16278T	073G 150T 152C 263G 295T 315.1C 489C	J
2006	C	8	Navarra CW	16519C	152C 263G 315.1C	H
2014	C	8	Navarra CW	16153A 16519C	263G 315.1C	H
2023	F	18	Aragon	16126C 16266T 16294T 16304C 16465T 16519C	073G 263G 309.1C 315.1C 385G	T
2025	F	17	La Rioja	16126C 16163G 16186T 16189C 16294T 16519C	073G 152C 195C 263G 309.1C 309.2C 315.1C	T
2038	F	17	La Rioja	16183c 16189C 16519C	263G 315.1C	H
2041	F	17	La Rioja	CRS	263G 315.1C	H
2045	F	17	La Rioja	16354T 16519C	263G 315.1C	H
2057	F	17	La Rioja	16150T 16224C 16311C 16519C	073G 146C 152C 263G 315.1C	K
2059	A	3	Chalosse	16093C 16519C	093G 263G 309.1C 315.1C	H
2069	A	3	Chalosse	16519C	072g 249G 263G 309.1C 309.2C 315.1C	H
2073	A	3	Chalosse	16093C 16129A 16519C	093G 263G 309.1C 315.1C	H
2076	A	3	Chalosse	16093C 16145A 16192T 16270T 16319A	073G 150T 263G 315.1C 533G	U
2079	F	17	La Rioja	16192T 16270T 16319A	073G 150T 263G 315.1C 533G	U
2083	F	17	La Rioja	16129A 16519C	263G 309.1C 309.2C 315.1C	H
2115	F	17	La Rioja	16126C 16183c 16189C 16259T 16294T 16519C	073G 152C 263c 309.1C 309.2C 315.1C	T
2119	F	15	Cantabria	16069T 16126C 16278T 16366T 16519C	073G 185A 188G 228A 263G 295T 309.1C 315.1C 462T 489C 522d 523d	J
2131	F	15	Cantabria	16129A 16278T 16316G 16519C	150T 263G 315.1C	H
2133	F	15	Cantabria	16356C 16519C	073G 195C 263G 309.1C 315.1C 499A	U
2138	A	3	Chalosse	16291T 16304C 16519C	263G 309.1C 315.1C	H
2139	A	3	Chalosse	CRS	263G 309.1C 309.2C 315.1C 573.XC	H
2155	A	3	Chalosse	16270T 16319A	073G 150T 263G 315.1C 533G	U
2170	A	3	Chalosse	16356C 16519C	073G 195C 263G 310C 499A 523.1C 523.2A 523.3C 523.4A	U

2176	E	14	Biscaye W	16239T 16242T 16519C	263G 309.1C 315.1C	H
2177	E	14	Biscaye W	16189C 16519C	152C 263G 309.1C 315.1C	H
2193	F	15	Cantabria	16248T 16519C	064T 093G 263G 315.1C	H
2200	F	15	Cantabria	16086C 16278T 16311C 16519C	073G 263G 315.1C 497T	K
2227	F	15	Cantabria	16519C	152C 263G 309.1C 315.1C	H
2245	B	6	Soule	16258c 16298C	072C 195C 263G 315.1C	HV
2246	B	6	Soule	16311C 16355T 16519C	150T 263G 309.1C 309.2C 315.1C	H
2248	B	6	Soule	16519C	263G 309.1C 315.1C	H
2253	A	3	Chalosse	16069T 16126C 16300G	073G 185A 228A 263G 295T 315.1C 462T 489C 522d 523d	J
2258	A	3	Chalosse	16519C	263G 309.1C 315.1C	H
2262	A	3	Chalosse	16126C 16294T 16296T 16324C 16519C	073G 263G 309.1C 315.1C	T
2276	F	18	Aragon	16235t 16286T	146C 152C 263G 315.1C	H
2289	F	18	Aragon	16093C	263G 315.1C 522d 523d	H
2291	F	18	Aragon	16298C	072C 263G 309.1C 315.1C	V
2294	A	3	Chalosse	16192T 16270T 16319A	073G 150T 263G 315.1C 533G	U
2295	B	6	Soule	16192T 16270T 16319A	073G 150T 263G 315.1C 533G	U
2305	B	6	Soule	16189C 16293d 16390A 16519C	263G 315.1C	H
2319	B	6	Soule	16311C 16355T 16519C	150T 263G 309.1C 315.1C	H
2325	A	3	Chalosse	16519C	072g 249G 263G 309.1C 315.1C	H
2331	A	3	Chalosse	16192T 16270T 16319A	073G 150T 263G 315.1C 533G	U
2340	A	3	Chalosse	16126C 16163G 16186T 16189C 16294T 16519C	073G 152C 195C 263G 309.1C 309.2C 315.1C	T
2342	F	18	Aragon	16126C 16294T 16296T 16304C 16519C	073G 263G 315.1C	T
2357	F	17	La Rioja	16266T 16304C 16311C	263G 309.1C 315.1C 456T	H
2367	F	17	La Rioja	16519C	263G 309.1C 315.1C	H
2368	C	8	Navarra CW	16240G 16298C	072C 263G 309.1C 315.1C	V
2372	C	8	Navarra CW	16192T 16270T 16319A	073G 150T 263G 315.1C 533G	U
2373	C	8	Navarra CW	16298C 16519C	093G 263G 309.1C 315.1C	V
2375	C	8	Navarra CW	16126C 16294T 16296T 16519C	073G 263G 315.1C	T
2377	F	17	La Rioja	16519C	263G 309.1C 309.2C 315.1C	H
2410	F	17	La Rioja	16126C 16362C	057.1C 064T 150T 263G 309.1C 309.2C 315.1C	R0
2412	F	17	La Rioja	16172C 16183c 16189C 16219G 16249C 16278T	073G 196C 263G 315.1C	U
2424	D	10	Guipuscoa	16129A 16519C	263G 309.1C 309.2C 315.1C 447g	H
2431	D	13	Biscaye	16519C	263G 315.1C	H
2447	D	13	Biscaye	16362C 16482G	239C 263G 309.1C 315.1C	H
2454	D	13	Biscaye	16189C 16192T 16270T 16311C 16336A	055a 073G 150T 263G 315.1C	U
2459	D	13	Biscaye	16519C	150T 263G 315.1C	H
2469	D	13	Biscaye	16519C	263G 315.1C	H
2501	D	11	Guipuscoa SW	16161C 16176T 16256T 16270T 16399G	073G 189G 263G 315.1C	U
2507	D	13	Biscaye	16129A 16519C	263G 309.1C 309.2C 315.1C	H
2508	D	13	Biscaye	16519C	150T 263G 315.1C	H
2521	D	13	Biscaye	16221C/T 16291T	263G 315.1C	HV
2526	D	13	Biscaye	16291T 16519C	263G 309.1C 315.1C	H
2534	D	13	Biscaye	16145A 16176g 16223T 16390A 16519C	073G 152C 263G 315.1C	N1
2548	D	13	Biscaye	16129A 16519C	263G 309.1C 315.1C	H
2556	D	13	Biscaye	16192T 16270T 16319A	073G 150T 263G 315.1C 533G	U
2560	D	10	Guipuscoa	16126C 16519C	152C 263G 309.1C 315.1C	H
2595	A	2	Bearn	16126C 16163G 16186T 16189C 16234T 16294T 16519C	073G 152C 195C 263G 309.1C 315.1C	T
2604	A	2	Bearn	16519C	263G 315.1C	H
2605	A	2	Bearn	16093C 16224C 16311C 16519C	073G 263G 315.1C 497T	K

2670	F	16	Burgos	16069T 16126C 16145A 16231C 16261T	073G 150T 152C 195C 215G 263G 295T 309.1C 310.1T 315.1C 319C 489C 513A	J
2671	F	16	Burgos	16172C 16219G 16235G 16278T 16294T	073G 195C 263G 309.1C 315.1C	U
2674	F	16	Burgos	16519C	263G 309.1C 309.2C 315.1C 515c	H
2679	C	8	Navarra CW	16192T 16270T 16319A	073G 150T 263G 315.1C 533G	U
2683	C	8	Navarra CW	16233G	263G 315.1C 456T	H
2686	C	8	Navarra CW	16270T	073G 150T 263G 315.1C	U
2705	C	8	Navarra CW	16519C	072C 263G 315.1C	H
2711	F	17	La Rioja	16069T 16126C	073G 182T 185A 228A 263G 295T 309.1C 315.1C 462T 482C 489C 522d 523d	J
2712	F	17	La Rioja	16192T 16519C	263G 309.1C 315.1C	H
2718	F	17	La Rioja	16126C 16209C 16294T 16296T 16519C	073G 263G 315.1C	T
2721	F	16	Burgos	16240G 16298C	072C 263G 309.1C 315.1C	V
2731	F	16	Burgos	16519C	152C 263G 309.1C 315.1C	H
2732	F	16	Burgos	16239T 16311C	073G 150T 263G 315.1C	U
2733	C	8	Navarra CW	16075C 16240G 16298C	072C 263G 309.1C 315.1C	V
2751	C	8	Navarra CW	16181c 16182c 16183c 16189C 16519C	073G 146C 153G 263G 315.1C 522d 523d	X
2753	C	8	Navarra CW	16129A 16519C	263G 309.1C 309.2C 315.1C	H
2758	C	8	Navarra CW	16176T	195C 263G 315.1C	H
2770	F	17	La Rioja	16519C	263G 309.1C 315.1C	H
2774	F	16	Burgos	16261T 16278T 16311C 16519C	073G 263G 315.1C 497T	K
2776	F	16	Burgos	16519C	263G 309.1C 315.1C	H
2780	F	16	Burgos	16320T 16323C 16325C 16519C	152C 263G 309.1C 309.2C 315.1C	H
2781	C	8	Navarra CW	16176T	195C 263G 315.1C	H
2782	C	8	Navarra CW	16192T 16270T 16319A	073G 150T 263G 315.1C 533G	U
2785	C	8	Navarra CW	CRS	263G 315.1C	H
2789	C	8	Navarra CW	16519C	263G 309.1C 315.1C	H
2809	A	3	Chalosse	16362C 16482G	239C 263G 309.1C 315.1C	H
2810	A	3	Chalosse	16069T 16126C 16138c 16519C	073G 185A 188G 204C 263G 295T 309.1C 315.1C 462T 489C	J
2812	F	17	La Rioja	16519C	263G 315.1C	H
2813	F	16	Burgos	16192T 16270T 16519C	073G 151T 228A 263G 309.1C 315.1C 573.XC	U
2832	F	16	Burgos	16114T 16126C 16153A 16192T 16294T 16519C	073G 150T 263G 309.1C 315.1C	T
2841	F	16	Burgos	16114a 16126C 16192T 16270T	073G 150T 263G 309.1C 315.1C	U
2857	C	8	Navarra CW	16069T 16126C 16300G	073G 185A 228A 263G 295T 315.1C 462T 489C 522d 523d	J
2858	C	8	Navarra CW	16129A 16316G 16519C	263G 309.1C 309.2C 315.1C	H
2874	F	15	Cantabria	16209C 16311C 16519C	263G 315.1C	H
2878	F	15	Cantabria	16069T 16126C 16519C	073G 185A 188G 228A 263G 295T 309.1C 315.1C 462T 489C 573.XC	J
2907	B	4	Labourdin	16519C	263G 309.1C 315.1C	H
2911	B	4	Labourdin	16298C	072C 150T 263G 309.1C 315.1C	V
2914	C	8	Navarra CW	16298C	072C 150T 263G 309.1C 315.1C	V
2924	C	8	Navarra CW	16093C 16192T 16270T 16319A	073G 150T 263G 315.1C 533G	U
2932	C	8	Navarra CW	16294T 16519C	152C 263G 315.1C	H
2934	C	8	Navarra CW	16093C 16176T	195C 263G 315.1C	H
2961	B	4	Labourdin	16298C	072C 150T 263G 309.1C 315.1C	V
2968	B	4	Labourdin	16519C	182T 200G 263G 309.1C 315.1C	H
2969	B	4	Labourdin	16519C	263G 315.1C	H
2977	C	8	Navarra CW	16291T 16519C	263G 309.1C 315.1C	H
2982	F	18	Aragon	16069T 16126C 16193T 16278T 16368C	073G 150T 152C 263G 295T 315.1C 489C	J

2983	F	18	Aragon	16298C 16311C	072C 195C 263G 309.1C 315.1C	HV
2986	F	18	Aragon	16298C 16311C	072C 195C 263G 309.1C 315.1C	HV
2990	B	6	Soule	16192T 16270T 16319A	073G 150T 263G 315.1C 533G	U
3057	A	1	Bigorre	16224C 16311C 16519C	073G 152C 263G 315.1C 497T 573d	K
3066	A	1	Bigorre	16051G 16129c 16183c 16189C 16362C 16519C	073G 152C 217C 263G 309.1C 309.2C 315.1C 340T 508G 523.1C 523.2A	U
3068	A	1	Bigorre	16224C 16519C	073G 152C 263G 315.1C 497T 523.1C 523.2A	K
3073	A	1	Bigorre	16224C 16311C 16519C	073G 263G 315.1C 497T	K
3090	F	15	Cantabria	16220c 16311C 16519C	263G 315.1C	H
3108	F	18	Aragon	16224C 16311C 16519C	073G 146C 152C 263G 315.1C 498d	K
3109	F	18	Aragon	16069T 16126C 16193T 16278T 16368C	073G 150T 152C 263G 295T 315.1C 489C	J
3127	F	18	Aragon	16224C 16311C 16519C	073G 146C 152C 263G 315.1C 498d	K
3137	F	18	Aragon	16519C	182T 200G 263G 309.1C 309.2C 315.1C	H
3194	F	16	Burgos	16192T 16270T 16319A 16519C	073G 150T 263G 315.1C 533G	U
3196	F	16	Burgos	16189C 16519C	152C 263G 315.1C	H
3203	F	16	Burgos	16519C	263G 309.1C 315.1C	H
3207	F	18	Aragon	16051G 16129c 16182c 16183c 16189C 16362C 16519C	073G 152C 217C 263G 309.1C 309.2C 315.1C 340T 508G 523.1C 523.2A	U
3216	F	18	Aragon	16294T 16519C	146T/C 263G 315.1C	H
3221	F	18	Aragon	16519C	146C 263G 309.1C 315.1C	H
3227	F	18	Aragon	16104T 16176T 16311C 16519C	263G 315.1C	H
3282	A	1	Bigorre	16519C	263G 315.1C	H
3286	C	8	Navarra CW	16291T 16519C	152C 263G 315.1C	H
3288	C	8	Navarra CW	16192T 16256T 16270T 16526A	073G 263G 315.1C	U
3289	C	8	Navarra CW	16189C 16519C	152C 195C 263G 315.1C	H
3322	F	18	Aragon	16172C 16189C 16270T 16299G	073G 150T 263G 315.1C	U
3326	A	1	Bigorre	16183c 16189C 16519C	263G 309.1C 315.1C	H
3328	A	1	Bigorre	16519C	152C 263G 315.1C	H
3331	C	8	Navarra CW	16126C 16153A 16294T 16519C	041T 073G 150T 263G 309.1C 315.1C	T
3357	F	18	Aragon	16069T 16126C 16193T 16278T 16368C	073G 150T 152C 263G 295T 315.1C 489C	J
3364	F	18	Aragon	16126C 16153A 16294T 16296T 16519C	073G 150T 263G 309.1C 315.1C	T
3375	F	18	Aragon	16069T 16126C 16193T 16278T 16368C	073G 150T 152C 263G 295T 315.1C 489C	J
3390	F	18	Aragon	16069T 16126C 16193T 16278T 16368C	073G 150T 152C 263G 295T 315.1C 489C	J
3443	A	1	Bigorre	16216G 16298C 16519C	072C 263G 309.1C 315.1C	V
3445	A	1	Bigorre	16216G 16298C 16519C	072C 263G 309.1C 309.2C 315.1C	V
3447	A	1	Bigorre	16192T 16270T 16288C 16319A	073G 150T 263G 315.1C 533G	U
3451	A	1	Bigorre	16216G 16298C 16519C	072C 263G 309.1C 309.2C 315.1C	V
3488	C	8	Navarra CW	16224C 16311C 16519C	073G 263G 309.1C 315.1C 497T	K
3491	C	8	Navarra CW	16176T	152C 195C 263G 309.1C 315.1C	H
3514	C	8	Navarra CW	16519C	263G 309.1C 315.1C	H
3524	C	8	Navarra CW	16519C	093G 263G 309.1C 315.1C	H
3543	D	13	Biscaye	16176T 16256T 16270T 16399G	073G 189G 263G 315.1C	U
3550	D	13	Biscaye	16126C 16519C	152C 263G 309.1C 315.1C	H
3553	D	13	Biscaye	16051G 16129c 16183c 16189C 16362C 16519C	073G 152C 217C 263G 309.1C 309.2C 315.1C 340T 508G	U
3556	D	11	Guipuscoa SW	16086C 16183c 16189C 16263C 16356C 16519C	263G 309.1C 309.2C 309.3C 315.1C	H
3583	D	11	Guipuscoa SW	16192T 16270T 16319A	073G 150T 263G 315.1C 533G	U
3600	D	11	Guipuscoa SW	16129A 16519C	263G 315.1C 447g	H
3611	D	11	Guipuscoa SW	16192T 16270T 16319A	073G 150T 263G 315.1C 533G	U
3616	D	11	Guipuscoa SW	16192T 16270T 16319A	073G 150T 263G 315.1C 533G	U

3630	D	11	Guipuscoa SW	16278T 16311C 16519C	073G 263G 315.1C 497T	K
3657	A	2	Bearn	16291T 16519C	263G 309.1C 309.2C 315.1C	H
3665	A	2	Bearn	16176T	195C 263G 315.1C	H
3669	A	2	Bearn	16256T 16270T 16399G	073G 263G 309.1C 315.1C	U
3684	A	2	Bearn	16093C 16519C	093G 207A 263G 309.1C 309.2C 315.1C	H
3724	A	3	Chalosse	16298C	072C 150T 263G 309.1C 315.1C	V
3734	A	3	Chalosse	16145A 16189C 16192T 16256T 16270T 16399G 16519C	073G 195C 263G 309.1C 315.1C 573.XC	U
3740	A	3	Chalosse	16267T 16298C	072C 195C 263G 309.1C 315.1C	HV
3749	A	3	Chalosse	16291T 16304C 16519C	263G 309.1C 315.1C	H
3773	F	17	La Rioja	16069T 16126C 16278T 16366T 16519C	073G 150T 185A 188G 228A 263G 295T 309.1C 315.1C 462T 489C 522d 523d	J
3777	F	17	La Rioja	16172C 16183c 16189C 16219G 16239T 16278T 16293G 16362C	073G 263G 309.1C 315.1C	U
3778	F	17	La Rioja	16356C 16519C	073G 195C 263G 310C 499A 523.1C 523.2A 523.3C 523.4A	U
3825	A	1	Bigorre	16093C 16224C 16311C 16519C	073G 146C 152C 195C 263G 309.1C 315.1C 497T	K
3827	A	1	Bigorre	16126C 16294T 16296T 16304C 16519C	073G 263G 309.1C 309.2C 315.1C 458T	T
3831	B	6	Soule	16129A 16311C 16355T 16519C	150T 263G 309.1C 315.1C	H
3861	D	11	Guipuscoa SW	16129A 16519C	263G 309.1C 309.2C 315.1C	H
3878	A	3	Chalosse	16224C 16311C 16354T 16519C	073G 263G 309.1C 309.2C 315.1C 334C 497T 523.1C 523.2A 523.3C 523.4A	K
3879	A	3	Chalosse	16129A 16519C	263G 309.1C 309.2C 315.1C	H
3880	A	3	Chalosse	16192T 16270T 16319A	073G 150T 263G 315.1C 533G	U
3885	A	3	Chalosse	16192T 16270T 16319A	073G 150T 263G 315.1C 533G	U
3947	A	3	Chalosse	16183c 16189C 16311C	263G 315.1C	HV
3951	A	3	Chalosse	16298C 16390A 16519C	146C 263G 309.1C 315.1C	V
3966	A	3	Chalosse	16181c 16182c 16183c 16189C 16519C	073G 146C 153G 263G 315.1C 522d 523d	X
3976	A	3	Chalosse	16069T 16126C 16300G	073G 185A 228A 263G 295T 315.1C 462T 489C 522d 523d	J
4018	A	3	Chalosse	16129A 16519C	263G 309.1C 315.1C	H
4019	B	6	Soule	16069T 16126C 16193T 16278T 16368C	073G 150T 152C 263G 295T 315.1C 489C	J
4020	B	6	Soule	16093C 16519C	093G 263G 309.1C 315.1C	H
4026	B	6	Soule	16176T 16224C 16519C	073G 152C 263G 315.1C 497T 523.1C 523.2A 523.3C 523.4A	K
4066	F	16	Burgos	16126C 16163G 16186T 16189C 16294T 16519C	073G 152C 195C 263G 309.1C 315.1C	T
4077	F	16	Burgos	16192T 16256T 16270T 16399G	073G 263G 315.1C	U
4146	F	15	Cantabria	16291T 16519C	263G 309.1C 315.1C 316A	H
4156	F	15	Cantabria	16294T 16304C	263G 315.1C 456T	H
4170	F	15	Cantabria	16126C 16163G 16172C 16186T 16189C 16294T 16304C 16519C	073G 151T 152C 263G 315.1C	T
4177	F	15	Cantabria	16126C 16311C 16519C	195C 263G 309.1C 309.2C 315.1C 368.1A 368.2G 368.3A 368.4A	H
4236	F	15	Cantabria	16304C 16519C	093G 263G 315.1C 456T 513A	H
4239	F	15	Cantabria	16519C	152C 263G 315.1C 522d 523d	H
4249	F	15	Cantabria	16192T 16519C	263G 309.1C 315.1C	H
4261	F	15	Cantabria	16519C	263G 309.1C 315.1C	H
4321	B	6	Soule	16519C	263G 315.1C	H
4328	B	6	Soule	16240G 16298C	072C 263G 309.1C 315.1C	V
4331	F	16	Burgos	16519C	263G 309.1C 309.2C 315.1C 515c	H
4343	F	16	Burgos	16069T 16126C 16189C	073G 185A 228A 263G 295T 309.1C 315.1C 462T 482C 489C	J
4416	D	11	Guipuscoa SW	16037G 16189C 16192T 16270T 16311C 16336A	055a 073G 150T 263G 309.1C 315.1C	U
4437	D	13	Biscaye	16172C 16294T 16519C	263G 315.1C 477C	H
4439	D	13	Biscaye	16217C 16311C 16519C	152C 263G 315.1C	H
4451	D	13	Biscaye	16519C	093G 151T 263G 315.1C	H

4454	D	13	Biscaye	16519C	150T 152C 263G 309.1C 315.1C	H
4455	D	13	Biscaye	16069T 16126C 16189C 16278T 16366T 16519C	073G 185A 188G 228A 263G 295T 309.1C 315.1C 462T 489C 522d 523d	J
4463	D	13	Biscaye	16291T 16519C	263G 309.1C 315.1C	H
4464	D	13	Biscaye	16519C	041T 263G 315.1C	H
4465	D	13	Biscaye	16129A 16189C 16223T 16261T 16391A 16519C	NS	I
4487	D	13	Biscaye	16069T 16126C 16519C	073G 185A 228A 263G 295T 315.1C 462T 489C	J
4492	D	13	Biscaye	16192T 16270T 16319A	073G 150T 263G 315.1C 533G	U
4496	D	13	Biscaye	16291T 16519C	263G 309.1C 315.1C	H
4498	D	13	Biscaye	16066G 16362C 16482G	239C 263G 309.1C 315.1C	H
4501	D	13	Biscaye	16342C	073G 263G 282C 309.1C 315.1C	U
4526	D	13	Biscaye	16051G 16129c 16183c 16189C 16362C 16519C	073G 152C 217C 263G 309.1C 315.1C 340T 508G	U
4535	D	13	Biscaye	16291T 16519C	263G 309.1C 315.1C	H
4539	D	13	Biscaye	16519C	263G 315.1C	H
4541	D	13	Biscaye	16037G 16189C 16192T 16270T 16311C 16336A	055a 073G 150T 263G 309.1C 315.1C	U
4548	D	13	Biscaye	16291T 16519C	263G 309.1C 309.2C 315.1C	H
5281	B	4	Labourdin	16192T 16270T 16319A	073G 150T 263G 315.1C 533G	U
5288	B	4	Labourdin	16291T 16519C	263G 309.1C 315.1C	H
5376	D	11	Guipuscoa SW	16126C 16292T 16294T 16519C	073G 146C 263G 279C 309.1C 315.1C	T
5385	C	7	Navarra NE	16298C 16527T	072C 093G 263G 315.1C	V
5397	C	7	Navarra NE	16069T 16093C 16126C 16278T 16366T 16519C	073G 185A 188G 228A 263G 295T 315.1C 462T 489C 522d 523d	J
5414	C	7	Navarra NE	16519C	263G 309.1C 309.2C 315.1C	H
5425	C	7	Navarra NE	16256T 16270T 16399G	073G 152C 263G 309.1C 309.2C 315.1C	U
5427	C	7	Navarra NE	16294T 16519C	263G 309.1C 315.1C	H
5430	D	11	Guipuscoa SW	16192T 16270T 16319A	073G 150T 263G 315.1C 533G	U
5432	C	8	Navarra CW	16224C 16311C 16519C	073G 152C 263G 315.1C 497T 573d	K
5441	C	8	Navarra CW	16126C 16294T 16296T 16519C	073G 263G 309.1C 315.1C	T
5442	B	5	Navarra-France	16519C	093G 263G 309.1C 315.1C	H
5443	B	5	Navarra-France	16217C 16218T 16519C	263G 309.1C 309.2C 315.1C	H
5447	B	6	Soule	16354T	263G 309.1C 309.2C 315.1C	H
5452	C	12	Araba	16129A 16311C 16519C	263G 309.1C 315.1C	H
5464	C	12	Araba	16126C 16294T 16296T 16324C 16519C	073G 263G 315.1C	T
5473	C	12	Araba	16298C	150T 263G 309.1C 315.1C	V
5486	C	12	Araba	16189C 16519C	152C 263G 315.1C	H
5487	C	12	Araba	16270T	073G 150T 263G 309.1C 315.1C 523.1C 523.2A	U
5488	C	12	Araba	16126C 16294T 16296T 16519C	073G 263G 309.1C 315.1C	T
5490	C	12	Araba	16145A 16176g 16223T 16390A 16519C	073G 152C 263G 315.1C	N1
5508	B	5	Navarra-France	16519C	263G 315.1C	H
5532	B	5	Navarra-France	16356C 16519C	073G 146C 152C 195C 263G 309.1C 315.1C 499A 523.1C 523.2A	U
5533	B	5	Navarra-France	16093C 16519C	093G 263G 309.1C 315.1C	H
5534	C	12	Araba	16221T 16291T	152C 207A 263G 309.1C 315.1C	HV
5545	C	12	Araba	16183c 16189C 16223T 16278T 16519C	073G 153G 195C 225A 226C 263G 315.1C	X
5550	C	12	Araba	16145A 16224C 16311C 16519C	073G 146C 152C 263G 309.1C 315.1C 498d	K
5553	C	12	Araba	16145A 16172C 16189C 16243C 16256T 16270T 16399G	073G 195C 263G 309.1C 315.1C 573.XC	U
5565	B	6	Soule	16069T 16126C 16193T 16278T 16368C	073G 150T 152C 263G 295T 315.1C 489C	J
5572	B	5	Navarra-France	16519C	263G 309.1C 315.1C	H
5577	B	5	Navarra-France	16311C 16519C	263G 315.1C	H

5581	A	2	Bearn	16183c 16189C 16223T 16255A 16278T 16519C	073G 153G 195C 225A 227G 263G 315.1C	X
5582	A	2	Bearn	16181c 16182c 16183c 16189C 16519C	073G 146C 153G 263G 309.1C 315.1C 522d 523d	X
5588	D	9	Navarra NW	CRS	263G 315.1C	H
5596	D	9	Navarra NW	16192T 16270T 16319A 16362C	073G 150T 263G 309.1C 315.1C 533G	U
5602	D	9	Navarra NW	16304C 16519C	093G 263G 315.1C 456T 513A	H
5603	D	9	Navarra NW	16176T	195C 263G 315.1C	H
5612	E	14	Biscaye W	16298C	072C 195C 263G 315.1C	HV
5619	E	14	Biscaye W	16519C	263G 315.1C 523.1C 523.2A 573.XC	H
5620	E	14	Biscaye W	16293G 16519C	263G 315.1C	H
5621	C	7	Navarra NE	16298C 16390A 16519C	263G 309.1C 315.1C	V
5626	C	7	Navarra NE	16192T 16270T 16319A	073G 150T 263G 315.1C 533G	U
5637	C	7	Navarra NE	16292T 16319A 16519C	195C 263G 315.1C 522d 523d	H
5649	D	11	Guipuscoa SW	16167T 16192T 16270T 16311C 16356C	073G 150T 263G 309.1C 315.1C 522d 523d	U
5651	D	11	Guipuscoa SW	16129A 16519C	263G 309.1C 315.1C	H
5654	D	11	Guipuscoa SW	CRS	073G 263G 309.1C 315.1C 522d 523d	H
5656	D	11	Guipuscoa SW	16519C	150T 152C 263G 309.1C 315.1C	H
5665	C	12	Araba	16320T 16323C 16325C 16519C	152C 263G 309.1C 315.1C	H
5679	C	12	Araba	16069T 16126T 16278T 16366T 16519C	073G 185A 188G 228A 263G 295T 309.1C 315.1C 462T 489C	J
					522d 523d	
5682	D	10	Guipuscoa	16051G 16129c 16183C 16189C 16362C 16519C	073G 152C 217C 263G 309.1C 309.2C 315.1C 340T 508G	U
5686	D	9	Navarra NW	16126C 16294T 16296T 16304C 16519C	073G 199C 263G 315.1C	T
5706	D	9	Navarra NW	16519C	195C 263G 315.1C 522d 523d	H
5708	D	9	Navarra NW	16291T 16519C	263G 309.1C 315.1C	H
5710	D	9	Navarra NW	16176T 16294T	195C 263G 309.1C 315.1C	H
5711	D	13	Biscaye	16129A 16519C	263G 309.1C 315.1C	H
5715	D	13	Biscaye	16304C 16519C	093G 263G 315.1C 456T 513A	H
5716	D	13	Biscaye	16093C 16129A 16266T 16519C	315.1C	H
5724	D	13	Biscaye	16069T 16093C 16126C 16278T 16366T 16519C	073G 185A 188G 228A 263G 295T 309.1C 315.1C 462T 489C	J
					522d 523d	
5727	B	4	Labourdin	16069T 16126C 16256T	073G 185A 228A 263G 295T 315.1C 462T 482C 489C	J
5739	B	4	Labourdin	16069T 16126C 16256T	073G 185A 228A 263G 295T 315.1C 462T 482C 489C	J
5745	C	12	Araba	16248T 16519C	200G 263G 309.1C 315.1C	H
5754	C	12	Araba	16368C 16519C	150T 195C 263G 309.1C 315.1C	H
5755	C	12	Araba	16248T 16519C	150T/C 200G 263G 309.1C 315.1C	H
5760	B	5	Navarra-France	16147T 16356C 16519C	073G 183G 195C 198T 263G 310C 499A	U
5763	B	5	Navarra-France	16176T	195C 263G 315.1C	H
5766	B	5	Navarra-France	16294T 16311C 16519C	263G 315.1C	H
5776	B	6	Soule	16069T 16126C 16300G	073G 185A 228A 263G 295T 315.1C 462T 489C 522d 523d	J
5782	B	5	Navarra-France	16221T 16291T	263G 309.1C 315.1C	HV
5790	B	5	Navarra-France	16129A 16519C	263G 315.1C 460C	H
5793	C	12	Araba	16298C	072C 263G 309.1C 315.1C	V
5803	C	12	Araba	16111T 16192T 16256T 16270T 16291T 16399G	073G 263G 315.1C	U
5806	C	12	Araba	16189C 16519C	263G 309.1C 309.2C 315.1C	H
5808	B	6	Soule	16192T 16270T 16319A	073G 150T 263G 315.1C 533G	U
5814	B	6	Soule	16224C 16519C	073G 152C 263G 315.1C 497T 523.1C 523.2A 523.3C 523.4A	K
5823	B	6	Soule	16093C 16519C	093G 263G 309.1C 309.2C 315.1C	H
5827	B	6	Soule	16224C 16234T 16311C 16519C	073G 146C 150T 263G 315.1C	K
5836	D	9	Navarra NW	CRS	260G/A 263G 315.1C	H
5848	D	9	Navarra NW	16519C	150T 263G 315.1C	H

5881	D	9	Navarra NW	16192T 16270T 16319A 16362C	073G 150T 263G 309.1C 315.1C 533G	U
5898	C	12	Araba	16069T 16126T 16519C	073G 185A 188G 210G 228A 263G 295T 315.1C 462T 489C	J
5903	C	12	Araba	CRS	263G 295T 315.1C	H
5904	C	12	Araba	16192T 16311C	073G 150T 195C 263G 315.1C	U
5911	B	6	Soule	16519C	150T 263G 315.1C	H
5913	B	6	Soule	16069T 16126C 16185T	073G 228A 263G 295T 309.1C 315.1C 462T 489C	J
5915	B	6	Soule	16069T 16126C 16300G 16519C	073G 185A 228A 263G 295T 315.1C 462T 489C 522d 523d	J
5952	B	6	Soule	16172C 16223T 16292T 16320T 16519C	073G 119C 189G 195C 204C 207A 263G 309.1C 315.1C 522d 523d	W
5957	B	5	Navarra-France	16129A 16519C	093G 185A 263G 315.1C	H
5967	B	5	Navarra-France	16129A 16519C	093G 185A 263G 315.1C	H
5969	B	6	Soule	16069T 16126C 16193T 16278T 16368C	073G 150T 152C 263G 295T 315.1C 489C	J
5974	C	12	Araba	16129A 16519C	263G 309.1C 315.1C	H
5978	C	12	Araba	16221T 16291T	152C 207A 263G 309.1C 315.1C	HV
5979	C	12	Araba	16362C 16519C	263G 315.1C	H
5987	D	9	Navarra NW	16270T	073G 150T 263G 309.1C 309.2C 315.1C 523.1C 523.2A	U
5991	D	9	Navarra NW	16172C 16298C 16519C	072C 195C 263G 309.1C 315.1C	HV
5992	D	9	Navarra NW	16069T 16126C 16148T 16193T 16278T	073G 150T 152C 263G 295T 315.1C 489C	J
5995	D	9	Navarra NW	16304C 16519C	093G 263G 315.1C 456T 513A	H
5997	B	6	Soule	16256T 16270T 16399G	073G 263G 309.1C 309.2C 315.1C	U
6004	B	6	Soule	16304C 16519C	093G 263G 309.1C 315.1C 456T 513A	H
6005	B	6	Soule	16192T 16270T 16319A	073G 150T 152C 263G 315.1C 533G	U
6006	C	12	Araba	16189C 16221T 16291T	263G 309.1C 309.2C 315.1C	HV
6014	C	12	Araba	16129A 16189C 16192T 16243C 16270T 16311C 16336A	055a 073G 150T 263G 309.1C 315.1C	U
6022	D	10	Guipuscoa	16311C 16519C	263G 315.1C	H
6032	C	8	Navarra CW	16519C	263G 309.1C 315.1C	H
6035	C	8	Navarra CW	16519C	263G 309.1C 315.1C 522d 523d	H
6057	C	8	Navarra CW	16126C 16294T 16296T 16304C 16519C	073G 263G 309.1C 315.1C	T
6059	C	8	Navarra CW	CRS	263G 295T 315.1C	H
6060	B	5	Navarra-France	16362C 16482G 16519C	150T 239C 263G 315.1C	H
6071	B	5	Navarra-France	16176T	195C 263G 315.1C	H
6081	D	9	Navarra NW	16519C	263G 309.1C 315.1C 522d 523d	H
6092	B	6	Soule	16126C 16294T 16296T 16304C 16355T 16519C	073G 263G 309.1C 315.1C	HV
6093	B	6	Soule	16179T 16356C 16519C	073G 195C 263G 309.1C 315.1C 499A 523.1C 523.2A	U
6107	B	6	Soule	16069T 16126C	073G 185A 188G 228A 263G 295T 315.1C 462T 489C	J
6113	B	6	Soule	16354T	263G 309.1C 309.2C 315.1C	H
6117	C	7	Navarra NE	16126C 16294T 16296T 16519C	073G 263G 309.1C 315.1C	T
6149	C	7	Navarra NE	16192T 16270T 16319A	073G 150T 263G 315.1C 533G	U
6160	C	7	Navarra NE	16294T 16519C	263G 315.1C	H
6173	C	7	Navarra NE	16192T 16270T 16319A	073G 150T 263G 315.1C 533G	U
6174	D	10	Guipuscoa	16519C	263G 315.1C	H
6182	D	10	Guipuscoa	16129A 16519C	263G 309.1C 315.1C	H
6202	D	10	Guipuscoa	16192T 16270T 16319A	073G 150T 263G 315.1C 533G	U
6207	B	6	Soule	16311C 16519C	263G 315.1C	H
6212	B	6	Soule	16354T	263G 309.1C 309.2C 315.1C	H
6215	B	6	Soule	16519C	152C 263G 309.1C 309.2C 315.1C 477C	H
6234	B	6	Soule	16069T 16126C 16193T 16278T 16368C	073G 150T 152C 263G 295T 315.1C 489C	J
6237	A	1	Bigorre	16129A 16223T 16391A 16519C	NS	I
6248	A	1	Bigorre	16129A 16146G 16209C 16258c 16342C	073G 263G 282C 309.1C 315.1C	U

6264	A	1	Bigorre	16136C 16192T 16270T 16319A	073G 150T 263G 315.1C 533G	U
6278	C	7	Navarra NE	16519C	152C 182T 200G 263G 309.1C 309.2C 315.1C	H
6279	C	7	Navarra NE	16192T 16270T 16319A	073G 150T 263G 315.1C 533G	U
6295	C	7	Navarra NE	16111T 16294T 16519C	263G 315.1C	H
6304	B	5	Navarra-France	16126C 16163G 16186T 16189C 16294T 16519C	073G 152C 195C 263G 309.1C 315.1C	T
6314	B	5	Navarra-France	16129A 16519C	093G 185A 263G 315.1C	H
6315	B	5	Navarra-France	16129A 16519C	263G 315.1C	H
6322	B	5	Navarra-France	16181c 16182c 16183c 16189C 16519C	073G 146C 153G 263G 315.1C 522d 523d	X
6341	D	9	Navarra NW	16192T 16270T 16319A	073G 150T 195C 198T 263G 315.1C 533G	U
6349	D	9	Navarra NW	16291T 16519C	263G 309.1C 309.2C 315.1C	H
6354	D	9	Navarra NW	16189C 16270T	073G 150T 263G 309.1C 315.1C	U
6358	C	7	Navarra NE	16192T 16270T 16319A	073G 150T 263G 309.1C 315.1C 533G	U
6361	C	7	Navarra NE	16192T 16270T 16319A	073G 150T 263G 315.1C 533G	U
6366	C	7	Navarra NE	16292T 16319A 16519C	195C 263G 315.1C 522d 523d	H
6371	B	5	Navarra-France	16148T 16519C	263G 309.1C 309.2C 315.1C	H
6379	B	5	Navarra-France	16069T 16126C	073G 152C 228A 263G 295T 315.1C 462T 482C 489C	J
6381	B	5	Navarra-France	16519C	263G 309.1C 315.1C	H
6394	B	5	Navarra-France	16240A/G 16298C	072C 263G 309.1C 315.1C	V
6395	D	9	Navarra NW	16126C 16294T 16296T 16519C	073G 263G 309.1C 315.1C	T
6423	D	9	Navarra NW	16192T 16270T 16319A	073G 150T 263G 315.1C 533G	U
6440	D	9	Navarra NW	16266T 16519C	263G 315.1C	H
6441	E	14	Biscaye W	16224T 16311C 16519C	073G 195C 263G 315.1C 497T 523.1C 523.2A 523.3C 523.4A	K
6446	E	14	Biscaye W	16184T	044.1C 055C 057C 146C 263G 309.1C 309.2C 315.1C	H
6447	E	14	Biscaye W	16184T	044.1C 055C 057C 146C 263G 309.1C 309.2C 315.1C	H
6451	B	5	Navarra-France	16519C	263G 309.1C 315.1C	H
6460	B	5	Navarra-France	16192T 16270T 16319A	073G 150T 263G 315.1C 533G	U
6462	B	5	Navarra-France	16519C	263G 315.1C	H
6466	B	5	Navarra-France	16069T 16111g 16126C 16145A 16187T 16222T 16261T	073G 199C 242T 263G 295T 315.1C 462T 489C	J
6476	D	9	Navarra NW	16126C 16294T 16296T 16519C	073G 263G 309.1C 315.1C	T
6484	A	1	Bigorre	16126C 16223T 16292T 16519C	073G 152C 189G 194T 195C 204C 207A 263G 315.1C	W
6488	A	1	Bigorre	16069T 16126C 16311C	073G 152C 185A 228A 263G 295T 315.1C 462T 482C 489C	J
6489	F	17	La Rioja	16189C 16356C 16362C 16519C	150T 263G 309.1C 309.2C 315.1C 522d 523d	H
6502	F	17	La Rioja	16129A 16519C	263G 309.1C 309.2C 315.1C	H
6505	F	17	La Rioja	16189C 16356C 16519C	263G 309.1C 309.2C 315.1C	H
6514	C	7	Navarra NE	16192T 16270T 16319A	073G 150T 263G 315.1C 533G	U
6516	C	7	Navarra NE	16192T 16270T 16319A	073G 150T 263G 315.1C 533G	U
6517	C	7	Navarra NE	16311C 16519C	263G 315.1C	H
6529	C	7	Navarra NE	16192T 16270T 16319A	073G 150T 263G 315.1C 533G	U
6531	D	11	Guipuscoa SW	16189C 16223T 16278T 16519C	073G 153G 195C 225A 263G 315.1C	X
6567	C	12	Araba	16069T 16093C 16126T 16193T 16278T 16319A	073G 150T 152C 263G 295T 315.1C 489C	J
6593	C	12	Araba	16188T 16298C	072C 263G 309.1C 315.1C	V
6594	C	12	Araba	CRS	263G 315.1C	H
6611	D	9	Navarra NW	16291T 16519C	263G 309.1C 315.1C	H
6616	D	9	Navarra NW	16069T 16126C 16300G	073G 185A 228A 263G 295T 315.1C 462T 489C 522d 523d	J
6617	D	9	Navarra NW	16298C	072C 150T 263G 309.1C 309.2C 315.1C	V
6628	D	9	Navarra NW	16519C	073G 263G 315.1C 522d 523d	H
6636	D	11	Guipuscoa SW	16129A 16519C	263G 309.1C 309.2C 315.1C	H
6639	D	11	Guipuscoa SW	16291T 16519C	263G 309.1C 309.2C 315.1C	H
6642	D	11	Guipuscoa SW	16066G 16188C/T 16362C 16482G	239C 263G 309.1C 315.1C	H

6648	C	12	Araba	16221T 16291T	263G 309.1C 309.2C 315.1C	HV
6653	C	12	Araba	16129A 16519C	152C 263G 315.1C	H
6674	A	3	Chalosse	16069T 16093C 16126C 16189C 16278T 16366T 16519C	073G 185A 188G 228A 263G 295T 315.1C 462T 489C 522d 523d	J
6684	A	3	Chalosse	16291T 16304C 16519C	146C 263G 309.1C 315.1C	H
6685	A	3	Chalosse	16145A 16189C 16192T 16256T 16270T 16399G 16519C	NS	U
6699	A	3	Chalosse	16093C 16126C 16163G 16186T 16189C 16294T 16519C	073G 152C 195C 263G 309.1C 309.2C 315.1C	T
6716	A	2	Bearn	16189C 16234T 16317G 16519C	263G 315.1C	H
6723	A	2	Bearn	16249T/C 16519C	093G 263G 309.1C 315.1C	H
6729	A	2	Bearn	16192T 16270T 16319A	073G 150T 263G 315.1C 533G	U
6760	D	11	Guipuscoa SW	CRS	263G 315.1C	H
6769	D	10	Guipuscoa	16183c 16189C 16255A 16278T 16519C	073G 153G 195C 225A 227G 263G 315.1C	X
6786	C	8	Navarra CW	16519C	150T 152C 263G 309.1C 315.1C	H
6791	C	8	Navarra CW	16189C 16192T 16270T 16319A	073G 150T 263G 315.1C 533G	U
6801	C	8	Navarra CW	16182c 16183c 16189C 16362C 16519C	263G 315.1C	H
6802	C	8	Navarra CW	16129A 16223T 16261T 16391A 16519C	073G 152C 199C 204C 207A 250C 263G 309.1C 315.1C 573.XC	I
6808	A	2	Bearn	16145A 16224C 16311C 16519C	073G 263G 309.1C 315.1C 497T 523.1C 523.2A	K
6821	A	2	Bearn	16069T 16126C 16278T 16366T 16519C	073G 185A 188G 228A 263G 295T 315.1C 462T 489C 522d 523d	J
6830	C	8	Navarra CW	16126C 16294T 16296T 16519C	073G 263G 309.1C 315.1C	T
6836	C	7	Navarra NE	16519C	263G 309.1C 315.1C	H
6839	C	7	Navarra NE	16093C 16224C 16311C 16519C	073G 263G 309.1C 315.1C 497T	K
6842	D	9	Navarra NW	16192T 16223T 16256T 16270T 16526A	073G 200G 263G 315.1C	U
6843	A	3	Chalosse	16183c 16189C 16223T 16255A 16278T 16356C 16519C	073G 153G 195C 225A 227G 263G 315.1C	X
6845	A	3	Chalosse	16183c 16189C 16223T 16278T 16356C 16519C	073G 153G 195C 225A 227G 263G 315.1C	X
6846	A	3	Chalosse	16250T 16463G 16519C	152T/C 263G 309.1C 315.1C	H
6849	A	3	Chalosse	16291T 16519C	263G 309.1C 315.1C	H
6854	A	2	Bearn	16189C 16192T 16234T 16270T 16311C	073G 150T 199C 263G 309.1C 315.1C	U
6898	A	2	Bearn	16519C	152C 263G 309.1C 309.2C 315.1C	H
6900	A	2	Bearn	16181c 16182c 16183c 16189C 16519C	073G 146C 153G 263G 315.1C 522d 523d	X
6902	A	2	Bearn	16192T 16270T 16304C	073G 150T 195C 263G 309.1C 315.1C	U
6907	A	2	Bearn	16289G 16519C	263G 309.1C 315.1C	H
6914	B	5	Navarra-France	16304C 16519C	093G 263G 309.1C 309.2C 315.1C 456T 513A	H
6920	B	5	Navarra-France	16176T	146T/C 195C 263G 315.1C	H
6929	B	5	Navarra-France	16129A 16519C	093G 185A 263G 315.1C	H
6930	B	5	Navarra-France	16298C 16519C	072C 151T 186T 263G 309.1C 309.2C 315.1C	V
6935	C	8	Navarra CW	16192T 16270T 16295T 16319A	073G 150T 263G 315.1C 533G	U
6936	C	8	Navarra CW	16362C 16519C	263G 315.1C	H
6955	D	10	Guipuscoa	16093C 16224T 16311C 16519C	073G 263G 309.1C 315.1C 497T	K
6958	D	10	Guipuscoa	16183c 16189C 16223T 16255A 16278T 16519C	073G 153G 195C 225A 227G 263G 315.1C	X
6962	D	10	Guipuscoa	16519C	263G 309.1C 315.1C 477C	H
6965	A	2	Bearn	16519C	152C 263G 309.1C 315.1C	H
6968	A	2	Bearn	16192T 16270T 16319A	073G 150T 263G 315.1C 533G	U
6970	A	2	Bearn	16186T 16227G 16342C 16356C 16519C	073G 195C 263G 309.1C 315.1C 499A	U
6974	A	2	Bearn	16069T 16126C 16278T 16311C	073G 150T 152C 263G 295T 309.1C 309.2C 315.1C 489C	J
6978	D	11	Guipuscoa SW	16291T 16519C	263G 309.1C 315.1C	H
6994	D	11	Guipuscoa SW	16176T 16256T 16270T 16399G	073G 189G 263G 315.1C	U
6995	D	11	Guipuscoa SW	16192T 16270T 16319A	073G 150T 263G 315.1C 533G	U

7001	C	12	Araba	16126T 16294T 16296T 16519C	073G 263G 309.1C 309.2C 315.1C	T
7004	C	12	Araba	16519C	263G 309.1C 315.1C	H
7015	C	12	Araba	16519C	263G 309.1C 315.1C	H
7039	D	9	Navarra NW	16126C 16294T 16296T 16519C	073G 263G 309.1C 315.1C	T
7044	D	9	Navarra NW	16266T 16519C	263G 315.1C	H
7045	D	9	Navarra NW	16189C 16192T 16270T 16319A	073G 150T 263G 315.1C 533G	U
7067	B	6	Soule	16176T	195C 263G 309.1C 315.1C	H
7073	D	11	Guipuscoa SW	16192T 16270T 16319A	073G 150T 263G 315.1C 533G	U
7081	D	11	Guipuscoa SW	16129A 16519C	263G 309.1C 315.1C	H
7082	D	11	Guipuscoa SW	16187T 16519C	263G 309.1C 309.2C 315.1C 477C	H
7085	C	12	Araba	16519C	263G 309.1C 315.1C	H
7089	C	12	Araba	16311C 16362C 16519C	263G 315.1C	H
7094	C	12	Araba	CRS	263G 315.1C	H
7095	D	9	Navarra NW	16176T	195C 263G 309.1C 315.1C	H
7096	D	9	Navarra NW	16293G 16519C	263G 309.1C 315.1C 522d 523d	H
7100	D	9	Navarra NW	16192T 16270T 16319A 16362C	073G 150T 263G 309.1C 315.1C 533G	U
7119	D	9	Navarra NW	16192T 16270T 16319A	073G 150T 195C 198T 263G 315.1C 533G	U
7144	E	14	Biscaye W	16074G 16189C 16270T	073G 150T 195C 263G 315.1C	U
7153	E	14	Biscaye W	16129A 16519C	263G 309.1C 315.1C	H
7158	F	17	La Rioja	16129A 16519C	010C 263G 315.1C	H
7173	F	17	La Rioja	16311C	152C 263G 309.1C 315.1C	H
7179	F	17	La Rioja	16224C 16311C 16519C	073G 146C 263G 315.1C 572T	K
7193	C	8	Navarra CW	16069T 16126C 16300G	073G 185A 228A 263G 295T 315.1C 462T 489C 522d 523d	J
7196	C	8	Navarra CW	16129A 16519C	263G 315.1C	H
7206	C	8	Navarra CW	16126C 16294T 16296T 16519C	073G 263G 309.1C 315.1C	T
7222	C	8	Navarra CW	16298C	072C 150T 263G 309.1C 315.1C 522d 523d	V
7241	D	11	Guipuscoa SW	16129A 16154C 16519C	263G 309.1C 309.2C 315.1C 513A	H
7242	C	7	Navarra NE	16126C 16163G 16186T 16189C 16294T 16519C	073G 152C 195C 263G 309.1C 315.1C	T
7250	C	12	Araba	16129G/A 16519C	263G 309.1C 315.1C	H
7265	C	12	Araba	16069T 16093C 16126T 16193T 16278T	073G 150T 152C 263G 295T 315.1C 489C 496T	J
7273	C	12	Araba	16129A 16189C 16355T 16356C 16519C	263G 315.1C	H
7276	D	9	Navarra NW	16266T 16519C	263G 315.1C	H
7298	D	9	Navarra NW	16266T 16519C	263G 315.1C	H
7312	D	9	Navarra NW	16266T 16519C	263G 315.1C	H
7318	D	9	Navarra NW	16266T 16519C	263G 315.1C	H
7323	E	14	Biscaye W	16298C	072C 195C 263G 309.1C 315.1C	HV
7329	E	14	Biscaye W	16311C 16519C	152C 263G 309.1C 315.1C	H
7344	E	14	Biscaye W	16129A 16519C	263G 309.1C 315.1C	H
7347	D	11	Guipuscoa SW	CRS	263G 315.1C	H
7349	D	11	Guipuscoa SW	16129A 16519C	263G 309.1C 309.2C 315.1C	H
7359	D	11	Guipuscoa SW	16129A 16519C	263G 309.1C 309.2C 315.1C	H
7368	B	6	Soule	16224C 16519C	073G 152C 263G 315.1C 497T 523.1C 523.2A 523.3C 523.4A	K
7383	B	6	Soule	16192T 16270T 16319A	073G 150T 263G 315.1C 533G	U
7394	B	6	Soule	16311C 16355T 16519C	150T 263G 309.1C 315.1C	H
7400	B	6	Soule	16126C 16294T 16296T 16519C	073G 263G 315.1C	T
7402	A	2	Bearn	16298C	072C 263G 309.1C 315.1C	V
7404	A	2	Bearn	16168T 16519C	152C 263G 309.1C 309.2C 315.1C 513A	H
7406	A	2	Bearn	16069T 16126C 16519C	073G 185A 188G 228A 263G 295T 309.1C 315.1C 462T 489C	J
7412	D	11	Guipuscoa SW	16319A 16362C 16482G	150T 239C 263G 309.1C 309.2C 315.1C	H

7427	D	11	Guipuscoa SW	16069T 16126T 16193T 16234g 16278T	073G 150T 152C 185A 263G 295T 309.1C 315.1C 489C	J
7433	D	11	Guipuscoa SW	16519C	263G 309.1C 309.2C 315.1C	X
7438	B	5	Navarra-France	16181c 16182c 16183c 16189C 16519C	073G 146C 153G 263G 315.1C 522d 523d	H
7450	B	5	Navarra-France	16126C 16294T 16296T 16304C 16519C	073G 199C 263G 315.1C	T
7454	B	5	Navarra-France	16129A 16519C	263G 309.1C 309.2C 315.1C	H
7455	B	5	Navarra-France	16192T 16270T 16319A	073G 150T 263G 315.1C 533G	U
7460	A	2	Bearn	16192T 16270T 16304C	073G 150T 195C 263G 309.1C 315.1C	U
7481	C	7	Navarra NE	16192T 16270T 16319A	073G 150T 263G 315.1C 533G	U
7484	C	7	Navarra NE	16189C 16192T 16270T	073G 150T 263G 309.1C 315.1C 523.1C 523.2A	U
7502	D	10	Guipuscoa	16298C	072C 263G 309.1C 315.1C	V
7506	D	10	Guipuscoa	16069T 16126T 16300G	073G 185A 228A 263G 295T 315.1C 462T 489C 522d 523d	J
7527	C	7	Navarra NE	CRS	150T 263G 315.1C	H
7532	C	7	Navarra NE	16519C	263G 309.1C 315.1C	H
7535	C	7	Navarra NE	16519C	263G 309.1C 315.1C	H
7538	C	7	Navarra NE	16256T 16270T 16399G	073G 152C 263G 309.1C 309.2C 315.1C	U
7541	D	9	Navarra NW	16368C	263G 315.1C	H
7555	D	9	Navarra NW	16069T 16145A 16209C 16231C 16261T	073G 150T 152C 195C 215G 263G 295T 309.1C 315.1C 319C 489C 513A	J
7569	D	9	Navarra NW	16069T 16126C 16300G	073G 185A 228A 263G 295T 315.1C 462T 489C 522d 523d	J
7581	D	10	Guipuscoa	16192T 16270T 16319A	073G 150T 263G 315.1C 533G	U
7594	D	10	Guipuscoa	16069T 16126T 16145A 16189C 16231C 16261T	073G 150T 152C 195C 215G 263G 295T 309.1C 315.1C 319C 489C 513A	J
7595	D	10	Guipuscoa	16192T 16201T 16245T 16256T 16262T 16270T 16362C 16526A	073G 263G 309.1C 315.1C	U
7596	C	7	Navarra NE	CRS	150T 263G 315.1C	H
7602	C	7	Navarra NE	16519C	263G 309.1C 315.1C	H
7607	C	7	Navarra NE	16519C	263G 315.1C	H
7625	C	7	Navarra NE	CRS	150T 263G 315.1C	H
7626	B	6	Soule	16240G 16298C	072C 263G 309.1C 315.1C	V
7629	B	6	Soule	16239C/T 16519C	150T 263G 315.1C	H
7643	B	6	Soule	16172C 16223T 16292T 16320T 16519C	073G 119C 189G 195C 204C 207A 263G 309.1C 309.2C 315.1C 522d 523d	W
7653	D	11	Guipuscoa SW	16069T 16126C 16193T 16234g 16278T	073G 150T 152C 185A 263G 295T 309.1C 315.1C 489C	J
7654	D	11	Guipuscoa SW	16519C	150T 263G 315.1C	H
7664	D	11	Guipuscoa SW	16278T 16519C	146C 263G 309.1C 315.1C 523.1C 523.2A	H
7670	D	10	Guipuscoa	16311C 16519C	263G 315.1C	H
7672	D	10	Guipuscoa	16129A 16519C	263G 309.1C 309.2C 315.1C	H
7677	D	10	Guipuscoa	16519C	263G 315.1C	H
7678	D	10	Guipuscoa	16176T 16519C	195C 263G 315.1C	H
7680	D	11	Guipuscoa SW	CRS	072C 150T 263G 309.1C 315.1C 522d 523d	V
7682	D	11	Guipuscoa SW	16189C 16356C 16519C	263G 309.1C 315.1C	H
7683	D	11	Guipuscoa SW	16278T 16311C 16519C	073G 263G 315.1C 497T	K
7686	D	11	Guipuscoa SW	16519C	150T 263G 315.1C	H
7690	D	11	Guipuscoa SW	16183c 16189C 16356C 16519C	263G 309.1C 309.2C 315.1C	H
7692	D	10	Guipuscoa	16129A 16519C	263G 315.1C	H
7695	D	10	Guipuscoa	16129A 16519C	263G 315.1C	H
7697	D	10	Guipuscoa	16224C 16311C 16519C	073G 146C 152C 263G 315.1C	K
7699	D	10	Guipuscoa	16129A 16390A 16519C	263G 309.1C 309.2C 315.1C	H
7701	B	4	Labourdin	16519C	150T 263G 315.1C	H
7710	B	4	Labourdin	16192T 16270T 16319A	073G 150T 263G 315.1C 533G	U

7711	B	4	Labourdin	16192T 16270T 16319A	073G 150T 263G 315.1C 533G	U
7735	D	11	Guipuscoa SW	16069T 16126T 16193T 16234G 16278T	073G 150T 152C 185A 263G 295T 309.1C 315.1C 489C	J
7739	D	11	Guipuscoa SW	16176T 16256T 16270T 16399G	073G 263G 315.1C 522d 523d	U
7756	D	10	Guipuscoa	16519C	263G 309.1C 309.2C 315.1C 477C 523.1C 523.2A	H
7760	D	10	Guipuscoa	16126C 16294T 16296T 16519C	073G 263G 309.1C 315.1C	T
7779	D	10	Guipuscoa	16270T	073G 150T 263G 309.1C 315.1C 499A 523.1C 523.2A	U
7782	D	9	Navarra NW	16192T 16270T 16519C	073G 150T 151T 228A 263G 309.1C 315.1C 573.XC	U
7789	D	9	Navarra NW	16519C	263G 309.1C 309.2C 315.1C	H
7793	D	9	Navarra NW	16266T 16519C	263G 315.1C	H
7799	C	12	Araba	16224T 16311C 16319A 16463G 16519C	073G 152C 199C 263G 309.1C 315.1C 523.1C 523.2A	K
7814	C	12	Araba	16129A 16189C 16356C 16519C	263G 315.1C 316G/A	H
7816	D	10	Guipuscoa	16069T 16126C 16278T 16366T 16519C	073G 185A 188G 228A 263G 295T 309.1C 315.1C 462T 489C	J
					522d 523d	
7819	D	10	Guipuscoa	16126C 16294T 16304C 16519C	073G 263G 309.1C 315.1C	T
7822	D	10	Guipuscoa	16278T 16519C	146C 263G 309.1C 309.2C 315.1C	H
7823	D	10	Guipuscoa	16192T 16270T 16519C	073G 150T 151T 228A 263G 315.1C	U
7842	D	10	Guipuscoa	16519C	150T 263G 309.1C 315.1C	H
7871	B	6	Soule	16093C 16519C	093G 263G 309.1C 315.1C	H
7878	B	6	Soule	16256T 16519C	263G 315.1C	H
7897	B	6	Soule	16192T 16270T 16304C	073G 150T 195C 263G 309.1C 309.2C 315.1C	U
7909	B	4	Labourdin	16192T 16270T 16319A	073G 150T 263G 315.1C 533G	U
7919	B	4	Labourdin	16192T 16270T 16319A	073G 150T 263G 315.1C 533G	U
7923	B	4	Labourdin	16192T 16270T 16319A	073G 150T 263G 315.1C 533G	U
7927	A	2	Bearn	CRS	073G 263G 282C 309.1C 315.1C	U
7930	A	2	Bearn	16069T 16126C 16300G	073G 185A 228A 263G 295T 315.1C 462T 489C 522d 523d	J
79317	A	2	Bearn	16192T 16519C	263G 309.1C 315.1C	H
932						
7936	A	2	Bearn	16224C 16311C 16519C	073G 263G 309.1C 309.2C 315.1C 497T	K
7939	B	4	Labourdin	16069T 16126C 16300G	073G 185A 228A 263G 295T 315.1C 462T 489C 522d 523d	J
7943	B	4	Labourdin	16356C 16362C 16482G	060C 152C 239C 263G 309.1C 315.1C	H
7953	B	4	Labourdin	16291T 16519C	263G 309.1C 315.1C	H
7954	A	2	Bearn	16192T 16270T 16319A	073G 150T 263G 315.1C 533G	U
7964	A	2	Bearn	16074G 16153A 16189C 16270T	073G 150T 195C 263G 315.1C	U
7967	C	7	Navarra NE	16298C 16390A 16519C	198T 263G 309.1C 315.1C	V
7969	C	7	Navarra NE	16192T 16270T 16319A	073G 150T 263G 315.1C 533G	U
7977	C	7	Navarra NE	16298C 16390A 16519C	198T 263G 309.1C 315.1C	V
7995	C	7	Navarra NE	16093C 16224C 16311C 16519C	073G 263G 315.1C 497T	K
7999	C	7	Navarra NE	16126C 16153A 16294T 16296T 16519C	073G 150T 263G 309.1C 309.2C 315.1C	T
8003	C	7	Navarra NE	16192T 16270T 16319A	073G 150T 263G 315.1C 533G	U
8006	C	7	Navarra NE	16093C 16519C	182T 263G 309.1C 315.1C	H
8015	D	9	Navarra NW	16069T 16093C 16126C 16278T 16366T 16519C	073G 185A 188G 228A 263G 295T 315.1C 462T 489C 522d	J
					523d	
8024	D	9	Navarra NW	16176T	195C 263G 309.1C 315.1C	H
8038	D	9	Navarra NW	16192T 16270T 16319A	073G 150T 263G 315.1C 533G	U
8040	B	4	Labourdin	16192T 16270T 16319A	073G 150T 263G 315.1C 533G	U
8043	B	4	Labourdin	16126C 16294T 16296T 16519C	073G 263G 309.1C 315.1C	T
8061	B	4	Labourdin	16129A 16519C	263G 309.1C 309.2C 315.1C	H
8069	B	4	Labourdin	16192T 16270T 16319A	073G 150T 263G 315.1C 533G	U
8076	D	10	Guipuscoa	16189C 16356C 16519C	263G 309.1C 315.1C	H

8077	D	10	Guipuscoa	16192T 16270T 16319A	073G 150T 263G 315.1C 533G	U
8085	D	10	Guipuscoa	16519C	263G 315.1C	H
8122	D	11	Guipuscoa SW	16519C	150T 263G 315.1C	H
8125	D	11	Guipuscoa SW	16291T 16519C	263G 309.1C 315.1C	H
8132	D	11	Guipuscoa SW	16342C	073G 263G 282C 309.1C 315.1C	U
8140	B	4	Labourdin	16176T	195C 263G 315.1C	H
8142	B	4	Labourdin	CRS	073G 263G 309.1C 315.1C 522d 523d	H
8180	B	4	Labourdin	16298C	072C 150T 263G 309.1C 309.2C 315.1C	V
8217	D	11	Guipuscoa SW	16519C	263G 315.1C	H
8218	D	11	Guipuscoa SW	16129A 16519C	152C 263G 309.1C 315.1C	H
8223	D	11	Guipuscoa SW	16519C	263G 309.1C 315.1C	H
8224	C	12	Araba	16129A 16519C	263G 309.1C 315.1C	H
8230	C	12	Araba	16129A 16519C	152C 263G 315.1C	H
8255	B	4	Labourdin	16304C	263G 309.1C 309.2C 315.1C 456T 526A 573.XC	H
8256	B	5	Navarra-France	16298C 16311C	072C 195C 263G 309.1C 315.1C	HV
8257	B	5	Navarra-France	16519C	263G 309.1C 315.1C	H
8260	B	5	Navarra-France	16181c 16182c 16183c 16189C 16519C	073G 146C 153G 263G 315.1C 522d 523d	X
8272	B	5	Navarra-France	16356C 16519C	073G 146C 152C 195C 263G 309.1C 309.2C 315.1C 499A	U
					523.1C 523.2A	
8273	D	11	Guipuscoa SW	16129A 16519C	234A/G 263G 309.1C 309.2C 315.1C	H
8274	D	11	Guipuscoa SW	16298C 16311C	072C 150T 263G 309.1C 315.1C	V
8281	D	11	Guipuscoa SW	16129A 16154C 16248T 16519C	263G 309.1C 309.2C 315.1C	H
8315	D	13	Biscaye	16051G 16069T 16126C 16278T 16519C	073G 185A 188G 228A 263G 295T 309.1C 315.1C 462T 489C	J
					522d 523d	
8318	D	13	Biscaye	16069T 16126C 16145A 16231C 16261T 16399G	073G 150T 152C 195C 215G 263G 295T 309.1C 315.1C 319C	J
					489C 513A	
8351	D	13	Biscaye	16298T 16311C	072C 263G 315.1C	HV
8359	D	13	Biscaye	16129A 16519C	263G 309.1C 315.1C	H
8366	D	13	Biscaye	16519C	263G 315.1C 444G	H
8378	D	13	Biscaye	16069T 16126C 16300G	073G 185A 228A 263G 295T 315.1C 462T 489C 522d 523d	J
8380	D	13	Biscaye	16051G 16162G 16519C	073G 263G 315.1C	H
8382	D	10	Guipuscoa	16270T	073G 150T 263G 309.1C 315.1C 523.1C 523.2A	U
8424	D	13	Biscaye	16224C 16311C 16519C	073G 152C 263G 315.1C 497T	K
8429	A	2	Bearn	16356C 16519C	073G 195C 263G 310C 499A	U
8430	A	2	Bearn	16224C 16311C 16519C	073G 146C 152C 263G 315.1C	K
8432	A	2	Bearn	16172C 16519C	195C 263G 315.1C 573.XC	H
8437	B	5	Navarra-France	16298C	072C 195C 263G 309.1C 315.1C	HV
8443	B	5	Navarra-France	16304C 16519C	093G 263G 309.1C 315.1C 456T 513A 522d 523d	H
8445	B	5	Navarra-France	16129A 16519C	263G 309.1C 315.1C	H
8459	B	5	Navarra-France	16240G 16298C	072C 263G 315.1C	V
8462	B	5	Navarra-France	16181c 16182c 16183c 16189C 16519C	073G 146C 153G 263G 315.1C 522d 523d	X
8463	B	5	Navarra-France	16069T 16126C 16300G	073G 185A 228A 263G 295T 315.1C 462T 489C 522d 523d	J
8469	B	5	Navarra-France	16069T 16126C 16256T	073G 151T 185A 228A 263G 295T 315.1C 462T 482C 489C	J
					522d 523d	
8475	D	10	Guipuscoa	16519C	263G 309.1C 309.2C 315.1C 477C	H
8483	D	10	Guipuscoa	16298C	072C 263G 309.1C 315.1C	V
8495	D	10	Guipuscoa	16192T 16270T 16319A	073G 150T 263G 315.1C 533G	U
8497	C	7	Navarra NE	16294T 16519C	263G 309.1C 315.1C	H
8499	C	7	Navarra NE	16519C	093G 263G 309.1C 309.2C 315.1C	H

8505	C	7	Navarra NE	16093C 16224C 16311C 16519C	073G 263G 309.1C 315.1C 497T	K
8519	C	7	Navarra NE	16126C 16294T 16296T 16519C	073G 263G 309.1C 315.1C	T
8521	D	11	Guipuscoa SW	16126T 16294T 16296T 16519C	064T 073G 263G 309.1C 315.1C	T
8527	D	11	Guipuscoa SW	16167T 16192T 16270T 16311C 16356C	073G 111A/G 150T 263G 309.1C 315.1C 522d 523d	U
8548	B	4	Labourdin	16519C	150T 263G 315.1C	H
8568	B	4	Labourdin	16293G 16519C	263G 309.1C 315.1C 522d 523d	H
8582	A	2	Bearn	16162G 16519C	073G 152C 263G 309.1C 315.1C	H
8603	A	2	Bearn	16298C 16390A 16519C	263G 309.1C 315.1C	V
8612	B	4	Labourdin	16124T/C 16298C 16465T	072C 150T 263G 309.1C 315.1C	V
8621	B	5	Navarra-France	16221T 16291T	263G 309.1C 315.1C	HV
8625	B	4	Labourdin	16298C 16390A 16519C	263G 309.1C 315.1C	V
8630	D	9	Navarra NW	16172C 16270T	073G 150T 263G 315.1C	U
8641	C	8	Navarra CW	16126C 16294T 16296T 16519C	073G 263G 309.1C 315.1C	T
8643	C	8	Navarra CW	16519C	263G 309.1C 315.1C 522d 523d	H
8660	B	4	Labourdin	16129A 16519C	263G 309.1C 309.2C 315.1C	H
8670	B	4	Labourdin	16069T 16093C 16126C 16278T 16366T 16368C 16519C	073G 185A 188G 228A 263G 295T 309.1C 315.1C 462T 489C 522d 523d	J
8678	B	4	Labourdin	16519C	093G 263G 309.1C 315.1C	H
8681	D	10	Guipuscoa	16189C 16356C 16519C	263G 309.1C 315.1C	H
8683	D	10	Guipuscoa	16298C 16320T	072C 150T 200G 263G 309.1C 315.1C	V
8685	A	3	Chalosse	16192T 16270T 16319A	073G 150T 263G 315.1C 533G	U
8686	A	3	Chalosse	16192T 16270T 16319A	073G 150T 263G 315.1C 533G	U
8687	A	3	Chalosse	16288C 16311C 16362C	114T 146C 195C 263G 315.1C	H
8707	B	4	Labourdin	16129A 16519C	263G 309.1C 309.2C 315.1C	H
8718	B	4	Labourdin	16192T 16270T 16319A	073G 150T 263G 315.1C 533G	U
8726	B	4	Labourdin	16519C	263G 315.1C	H
8728	B	4	Labourdin	16278T 16311C 16519C	073G 263G 315.1C 497T	K
8729	B	4	Labourdin	16298C 16390A 16519C	263G 309.1C 315.1C	V
8742	B	5	Navarra-France	16093C 16172C 16183c 16189C 16219G 16278T	073G 185A 263G 315.1C	U
8748	B	5	Navarra-France	16192T 16270T 16319A	073G 150T 263G 315.1C 533G	U
8751	D	10	Guipuscoa	16192T 16270T 16319A	073G 150T 263G 309.1C 315.1C 533G	U
8757	D	10	Guipuscoa	16519C	263G 309.1C 309.2C 315.1C	H
8762	B	6	Soule	16224C 16311C 16519C	073G 146C 152C 263G 315.1C 498d	K
8764	B	6	Soule	16183c 16189C 16223T 16255A 16278T 16519C	073G 153G 195C 225A 227G 263G 315.1C	X
8765	B	6	Soule	16258c 16298C	072C 195C 263G 315.1C	HV
8776	B	6	Soule	16311C 16519C	263G 315.1C	H
8793	C	12	Araba	16129A 16189C 16356C 16519C	263G 315.1C	H
8798	C	12	Araba	16129A 16519C	152C 263G 315.1C	H
8806	B	5	Navarra-France	16362C 16519C	263G 309.1C 315.1C	H
8819	B	5	Navarra-France	16519C	263G 309.1C 315.1C	H
8821	B	5	Navarra-France	16192T 16270T 16319A	073G 150T 263G 315.1C 533G	U
8823	A	1	Bigorre	16093C 16519C	093G 263G 309.1C 315.1C	H
8825	A	1	Bigorre	16145A 16172C 16189C 16243C 16256T 16270T 16399G	073G 195C 263G 309.1C 315.1C 573.XC	U
8842	A	1	Bigorre	16362C 16482G	152C 239C 263G 309.1C 315.1C	H
8843	A	1	Bigorre	16519C	263G 315.1C	H
8846	A	2	Bearn	16519C	152C 263G 315.1C	H
8850	A	2	Bearn	16286T 16519C	152C 263G 315.1C	H
8852	A	2	Bearn	16126C 16294T 16296T 16304C 16355T 16519C	073G 263G 315.1C	T
8854	F	16	Burgos	16224C 16234T 16311C 16519C	073G 146C 150T 263G 315.1C	K

8860	C	7	Navarra NE	16298C	072C 263G 309.1C 309.2C 315.1C	V
8872	A	1	Bigorre	16176T 16219G 16519C	146C 257G 263G 309.1C 315.1C 477C	H
8876	A	1	Bigorre	16051G 16092C 16129c 16183c 16193.1C 16311C 16362C 16519C	073G 152C 199C 217C 263G 309.1C 309.2C 315.1C 508G	U
8886	A	1	Bigorre	16051G 16092C 16129c 16183c 16193.1C 16311C 16362C 16519C	073G 152C 199C 217C 263G 309.1C 309.2C 315.1C 508G	U
8906	A	2	Bearn	16224C 16234T 16311C 16519C	073G 146C 150T 263G 315.1C	K
8907	A	2	Bearn	16298C	072C 195C 263G 309.1C 315.1C 523.1C 523.2A	HV
8913	A	2	Bearn	16354T	263G 309.1C 309.2C 315.1C 575T	H
8948	C	7	Navarra NE	16519C	263G 315.1C	H
8950	D	10	Guipuscoa	16093C 16129A 16519C	263G 309.1C 315.1C	H
8959	D	10	Guipuscoa	16291T 16519C	263G 309.1C 315.1C	H
8971	B	6	Soule	16192T 16270T 16319A	073G 150T 263G 315.1C 533G	U
8987	B	6	Soule	16192T 16270T 16319A	073G 150T 263G 315.1C 533G	U
9002	B	6	Soule	16069T 16126C 16193T 16278T 16368C	073G 150T 152C 263G 295T 315.1C 489C	J
9026	D	9	Navarra NW	16192T 16223T 16325C 16519C	073G 152C 189G 194T 195C 204C 207A 263G 309.1C 315.1C	W
9028	D	9	Navarra NW	16304C 16519C	093G 263G 315.1C 456T 513A	H
9029	D	9	Navarra NW	16192T 16270T 16319A 16362C	073G 150T 263G 309.1C 315.1C 533G	U
9044	D	10	Guipuscoa	16129A 16519C	263G 309.1C 315.1C	H
9075	B	4	Labourdin	16129A 16519C	263G 309.1C 315.1C	H
9076	B	4	Labourdin	16126C 16294T 16304C 16519C	073G 263G 309.1C 315.1C	T
9082	B	4	Labourdin	16298C 16390A 16519C	263G 309.1C 309.2C 315.1C	V
9087	B	4	Labourdin	16069T 16126C 16148T 16193T 16278T	073G 150T 152C 263G 295T 315.1C 489C	J
9088	C	12	Araba	16126C 16163G 16186T 16189C 16294T 16519C	064T 073G 152C 195C 263G 309.1C 309.2C 315.1C	T
9095	C	12	Araba	16227G 16256T 16270T 16316G 16320T 16399G 16504A	073G 152C 263G 309.1C 315.1C 523.1C 523.2A	U
9100	C	12	Araba	16172C 16311C	263G 315.1C	HV
9103	B	5	Navarra-France	16298C	072C 195C 263G 309.1C 315.1C	HV
9114	B	5	Navarra-France	16176T 16311C	195C 263G 315.1C	H
9121	D	11	Guipuscoa SW	CRS	072C 150T 263G 309.1C 315.1C	V
9123	D	11	Guipuscoa SW	16519C	263G 309.1C 309.2C 315.1C	H
9127	D	11	Guipuscoa SW	16311C 16519C	263G 315.1C	H
9132	D	11	Guipuscoa SW	16176T 16256T 16270T 16399G	073G 189G 263G 315.1C	U
9155	D	10	Guipuscoa	16069T 16126C 16300G	073G 185A 228A 263G 295T 309.1C 315.1C 462T 489C 522d 523d	J
9182	D	10	Guipuscoa	16519C	263G 315.1C	H
9185	D	10	Guipuscoa	16176T	195C 263G 315.1C	H
9192	B	5	Navarra-France	16240G 16298C	072C 263G 309.1C 315.1C	V
9193	B	5	Navarra-France	16093C 16172C 16224C 16311C 16519C	073G 114T 152C 263G 315.1C 497T	K
9205	B	5	Navarra-France	16145A 16189C 16192T 16256T 16270T 16399G 16519C	073G 195C 263G 309.1C 315.1C 573.XC	U
9211	D	10	Guipuscoa	16519C	150T 263G 315.1C	H
9220	D	10	Guipuscoa	16069T 16126T 16300G	073G 185A 228A 263G 295T 315.1C 462T 489C 522d 523d	J
9222	D	10	Guipuscoa	16192T 16261T 16270T 16319A	073G 150T 263G 315.1C 533G	U
9231	D	10	Guipuscoa	16192T 16223T 16325C 16519C	073G 152C 189G 194T 195C 204C 207A 263G 309.1C 315.1C	W
9236	D	10	Guipuscoa	16129A 16519C	263G 315.1C 447g	H
9244	D	10	Guipuscoa	16519C	263G 315.1C	H
9264	C	12	Araba	16192T 16270T 16319A	073G 150T 263G 315.1C 513A 533G	U
9271	B	5	Navarra-France	16129A 16519C	263G 309.1C 309.2C 315.1C	H
9275	B	5	Navarra-France	16186T 16342C 16356C 16519C	073G 195C 263G 315.1C 499A	U
9282	B	5	Navarra-France	16129A 16519C	093G 185A 263G 315.1C	H
9305	B	4	Labourdin	CRS	073G 263G 315.1C 522d 523d	H
9316	B	4	Labourdin	16192T 16270T 16319A	073G 150T 263G 315.1C 533G	U

9317	B	4	Labourdin	16069T 16126C 16278T 16366T 16519C	073G 185A 188G 228A 263G 295T 309.1C 315.1C 462T 489C 522d 523d	J
9319	B	4	Labourdin	16519C	182T 200G 263G 309.1C 309.2C 315.1C	H
9333	B	4	Labourdin	16519C	263G 309.1C 315.1C	H
9335	B	4	Labourdin	16298C	072C 263G 309.1C 315.1C	V
9347	B	5	Navarra-France	16147T 16356C 16519C	073G 183G 195C 263G 310C 499A	U
9350	B	5	Navarra-France	16069T 16126C 16300G	073G 185A 228A 263G 295T 315.1C 462T 489C 522d 523d	J
9356	B	5	Navarra-France	16298C 16390A 16519C	073G 263G 309.1C 315.1C	V
9357	A	1	Bigorre	16183c 16189C 16311C 16362T/C	263G 309.1C 315.1C	HV
9361	A	1	Bigorre	16519C	152C 194T 263G 315.1C	H
9369	A	1	Bigorre	16111T 16126C 16294T 16304C 16519C	073G 263G 309.1C 315.1C 523.1C 523.2A	T
9370	A	1	Bigorre	16176T 16219G 16519C	146C 257G 263G 309.1C 309.2C 315.1C 477C	H
9373	B	6	Soule	16192T 16270T 16319A	073G 150T 263G 315.1C 533G	U
9404	B	6	Soule	16192T 16270T 16319A	073G 150T 263G 315.1C 533G	U
9406	D	9	Navarra NW	16172C	263G 315.1C	H
9432	D	13	Biscaye	16240G 16298T	072C 263G 309.1C 315.1C	V
9438	C	12	Araba	16224C 16311C 16519C	073G 114T 200G 263G 315.1C 497T 522d 523d	K
9444	D	11	Guipuscoa SW	16298C	072C 195C 263G 309.1C 315.1C	HV
9445	D	13	Biscaye	16129A 16488T 16519C	263G 309.1C 315.1C	H
9449	D	13	Biscaye	16129A 16519C	150T 263G 309.1C 309.2C 315.1C	H
9451	D	11	Guipuscoa SW	16223T 16311C 16399G	073G 146C 153G 263G 315.1C 523.1C 523.2A	L3'4
9457	D	11	Guipuscoa SW	16075C 16189C 16298C	072C 195C 200G 263G 309.1C 309.2C 315.1C	V
9461	D	11	Guipuscoa SW	16311C 16519C	263G 315.1C	H
9470	D	13	Biscaye	16183c 16189C 16223T 16255A 16278T 16519C	073G 153G 195C 225A 227G 263G 315.1C	X
9478	D	13	Biscaye	16221T 16291T	263G 309.1C 315.1C	HV
9534	B	5	Navarra-France	16291T 16519C	263G 309.1C 315.1C	H
9537	B	4	Labourdin	16192T 16270T 16319A	073G 150T 263G 315.1C 533G	U
9540	B	4	Labourdin	16129A 16298C 16519C	150T 263G 309.1C 309.2C 315.1C	H
9541	B	4	Labourdin	16069T 16126C 16148T 16193T 16278T	073G 150T 152C 263G 295T 315.1C 489C	J
9551	D	10	Guipuscoa	16189C 16356C 16519C	263G 309.1C 309.2C 315.1C	H
9565	B	6	Soule	16304C 16519C	263G 309.1C 309.2C 315.1C 456T 513A 522d 523d	H
9579	B	4	Labourdin	16181c 16182c 16183c 16189C 16519C	073G 146C 153G 234G 315.1C 522d 523d	X
9602	B	5	Navarra-France	16217C 16218T 16519C	263G 309.1C 309.2C 315.1C	H
9612	B	5	Navarra-France	16093C 16172C 16224C 16311C 16519C	073G 114T 152C 263G 315.1C 497T	K
9615	A	3	Chalosse	16129A 16298C 16390A 16519C	246C 263G 309.1C 315.1C	V
9618	C	7	Navarra NE	16069T 16126C 16300G	073G 185A 228A 263G 295T 315.1C 462T 489C 522d 523d	J
9638	C	7	Navarra NE	16256T 16270T 16399G	073G 263G 309.1C 315.1C	U
9642	B	5	Navarra-France	16129A 16519C	093G 185A 263G 315.1C	H
9648	B	5	Navarra-France	16192T 16270T 16319A	073G 150T 263G 315.1C 533G	U
9659	B	5	Navarra-France	16298C 16390A 16519C	263G 315.1C 493G	V
9680	A	1	Bigorre	16111T 16126C 16294T 16304C 16519C	073G 263G 309.1C 315.1C	T
9688	A	1	Bigorre	16192T 16270T 16319A	073G 150T 263G 315.1C 533G	U
9697	A	1	Bigorre	16126C 16129A 16264T 16295T 16311C 16362C	060.1T 064T 195C 263G 309.1C 315.1C 522d 523d 573.XC	R0
9698	A	1	Bigorre	16192T 16224C 16311C 16519C	073G 263G 315.1C 497T 523.1C 523.2A	K
9707	B	5	Navarra-France	16519C	239C 263G 309.1C 309.2C 315.1C	H
9729	B	5	Navarra-France	16192T 16270T 16319A	056.1C 058C 073G 150T 263G 315.1C 533G	U
9734	B	5	Navarra-France	16240G 16298C	072C 263G 309.1C 315.1C	V
9743	C	7	Navarra NE	16298C 16390A 16519C	198T 263G 309.1C 315.1C	V
9752	C	7	Navarra NE	16126C 16294T 16296T 16519C	073G 263G 315.1C	T

9765	C	7	Navarra NE	16298C 16390A 16519C	198T 263G 309.1C 315.1C	V
9795	B	6	Soule	16069T 16126C 16300G	073G 185A 228A 263G 295T 315.1C 462T 489C 522d 523d	J
9802	B	6	Soule	16192T 16270T 16319A	073G 150T 263G 315.1C 533G	U
9803	B	6	Soule	16192T 16270T 16319A	073G 150T 263G 315.1C 533G	U
9805	A	1	Bigorre	16354T	263G 309.1C 315.1C	H
9806	F	18	Aragon	16189C 16223T 16278T 16519C	073G 153G 195C 225A 226C 263G 315.1C 523.1C 523.2A	X
9817	F	18	Aragon	16192T 16270T 16319A	073G 150T 263G 315.1C 533G	U
9871	F	18	Aragon	16256T 16519C	263G 315.1C	H
4072A	F	16	Burgos	16183c 16189C 16223T 16278T 16294T 16309G 16390A	073G 146C 152C 195C 263G 309.1C 309.2C 315.1C	L2
A - 10	F	15	Cantabria	16311C 16468C 16519C	182T 183G 263G 309.1C 315.1C	H
A - 13	C	12	Araba	16519C	263G 293C 315.1C	H
A - 2	C	12	Araba	16183c 16189C 16356C 16519C	263G 309.1C 315.1C	H
A - 3	C	12	Araba	16519C	152C 199C 263G 315.1C 523.1C 523.2A	H
A - 4	D	11	Guipuscoa SW	GRS	072C 150T 263G 309.1C 315.1C 522d 523d	V
A - 5	C	12	Araba	16126C 16163G 16186T 16189C 16294T 16519C	073G 152C 195C 263G 309.1C 315.1C	T
A - 9	C	8	Navarra CW	16129A 16519C	263G 309.1C 309.2C 315.1C	H

^aZone category

^bZone code

Table S4. Absolute Frequencies of the Different Haplogroup H Subhaplogroups in the Different Zone Categories

Haplogroup	A	B	C	D	E	F	Total
H			5	1		3	9
H01	4	1	3	2	1	2	13
H01a	1						1
H01a1			1				1
H01a3				1			1
H01a3a	1						1
H01ab1	3						3
H01ag1						1	1
H01ah1			2				2
H01ak1	1						1
H01ak2		2	3	2			7
H01an1a	4	1					5
H01aq						2	2
H01ar						1	1
H01at		1					1
H01av1		2	1	6		1	10
H01av1a		2		5			7
H01aw		1					1
H01b			3	3		1	7
H01b1						1	1
H01b4			1	3			4
H01bb			1				1
H01bc		1					1
H01bf1					1		1
H01bq						1	1
H01bs						1	1
H01bv1			2				2
H01bx	1	1	1				3
H01by			1				1
H01c				1			1
H01c16		1					1
H01c3a	2						2
H01c4a		1		4			5
H01e1a		4		1			5
H01e1a1	5	6	1				12
H01e1a2	1				1		2
H01e1a4		3	1				4
H01e3		6					6
H01i1						1	1
H01j1		1	7	6	2	1	17
H01j1a	1	1	1	2		2	7
H01j1a1				3			3
H01j1a2	2	3					5
H01j1b		5	1	9			15
H01j1c				5			5
H01j2a						1	1
H01o		4					4
H01q						1	1
H01q1		1					1
H01q2						2	2
H01r				2			2
H01t1			2	1			3
H01t1a	3	7	5	7		2	24
H01t1a1				7			7
H01v						1	1
H02a1	1	3					4
H02a1e	1						1
H02a5a1	4	1		5			10
H02a5a1a	1	2	1	8			12
H03	1		11	5		5	22
H03ab			1			2	3
H03af						1	1
H03ah						1	1
H03ai			1				1
H03am		2	2			1	5
H03ao						2	2
H03at	1						1
H03at1				5			5
H03au			1				1
H03av			2		1	2	5

H03c					1	1	2
H03c2a	1	3	4	3			11
H03c2a1		3					3
H03c2c				3			3
H03e				1			1
H03h					1		1
H03k	1						1
H03n	1					1	2
H03s	1						1
H03x				1		1	2
H03y						2	2
H03z1			1				1
H04a1						2	2
H04a1a						1	1
H04a1a1a1a				1			1
H04a1a1a4		2		1			3
H04a1a4a				1	1		2
H04a1a4b	1						1
H05	1					1	2
H05'36			1				1
H05'36?	1						1
H05a						1	1
H05a1		1				1	2
H05a3a1		3		4		1	8
H05e						1	1
H05j		1					1
H06a1a	2	1		1			4
H06a1a2b	1						1
H06a1a7		1		1			2
H06a1b2d				2			2
H06a2	1						1
H07d2			1				1
H07d3			1				1
H08b	1						1
H09a	1						1
H10						1	1
H13a1a1	4					1	5
H14b1	1			2			3
H15a1					1		1
H15a1b					2		2
H17				1			1
H17a				2			2
H20		2					2
H24				1	1		2
H24b		1		1			2
H27			1			1	2
H30b1						2	2
H42a			1				1
H42a1	1	1	4			1	7
H49			1				1
H51						1	1
H53				3			3
H58a			1	1		1	3
H59	1						1
H67a	1						1
H74	2						2
H81			1				1
H86				1			1
H87					1		1
Total	61	82	78	125	14	60	420