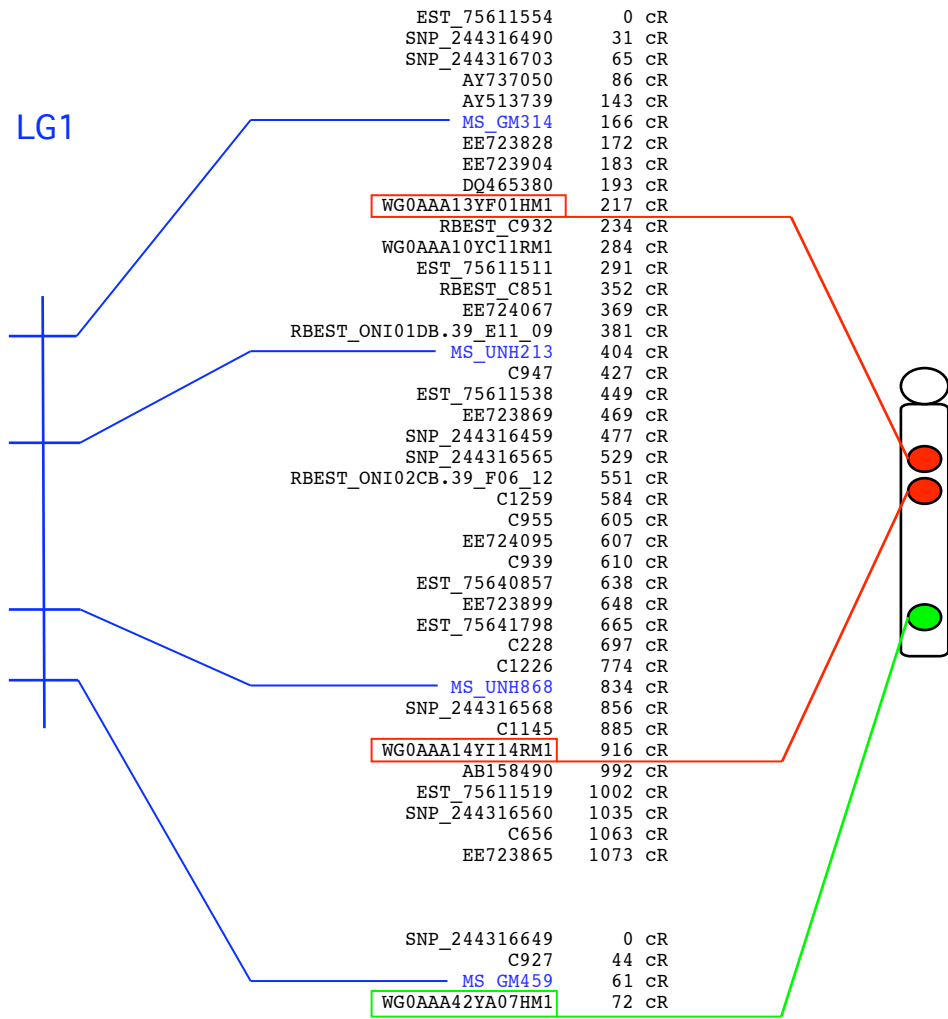
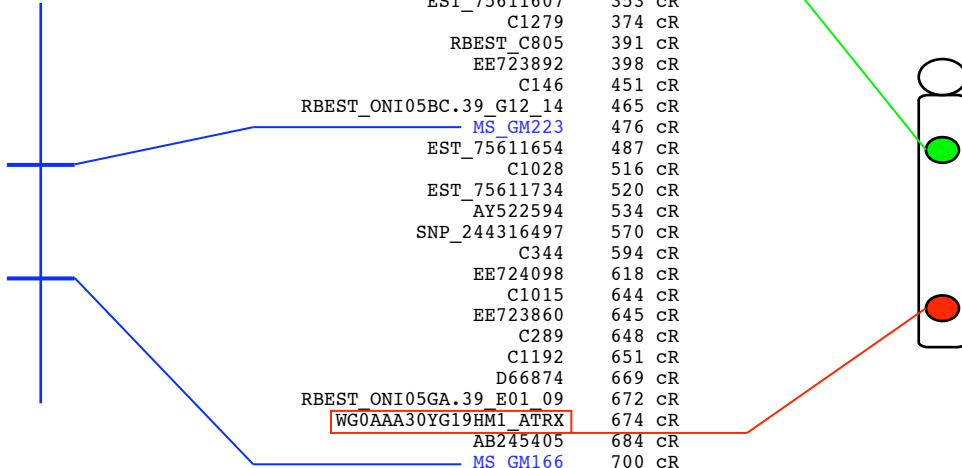


LG1

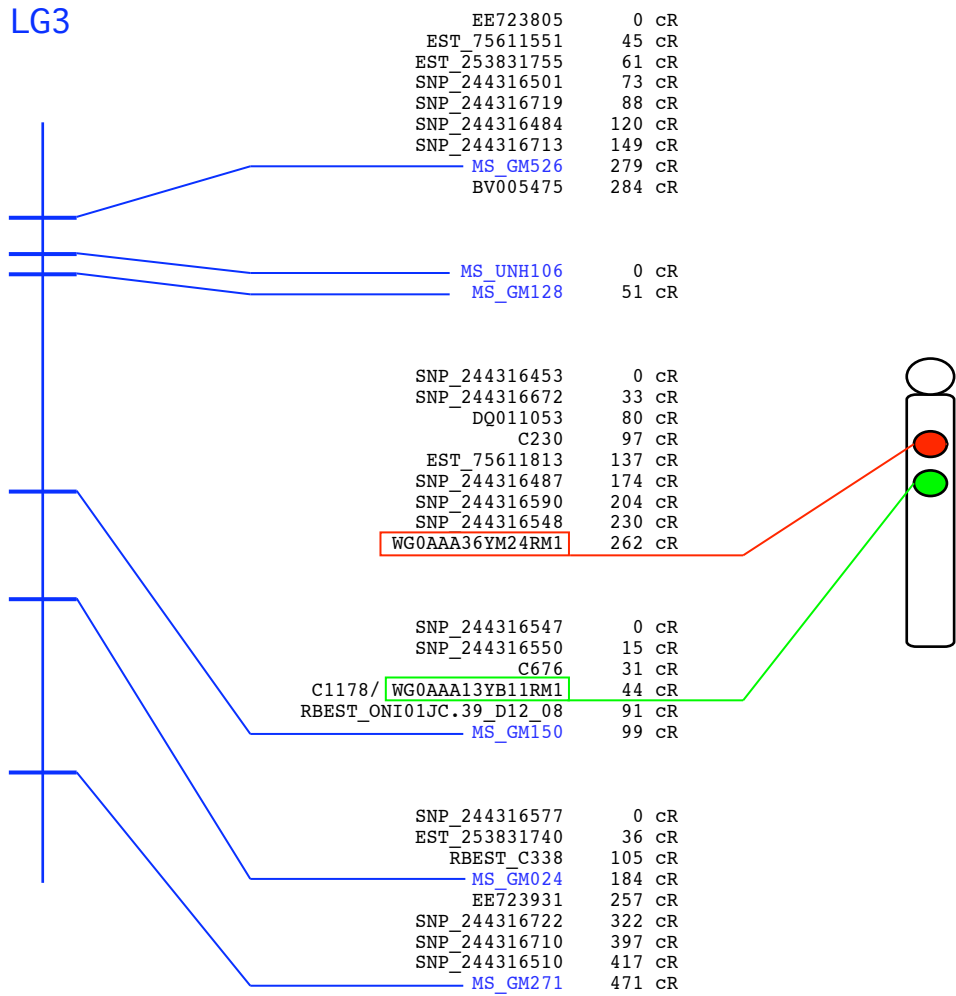


LG2

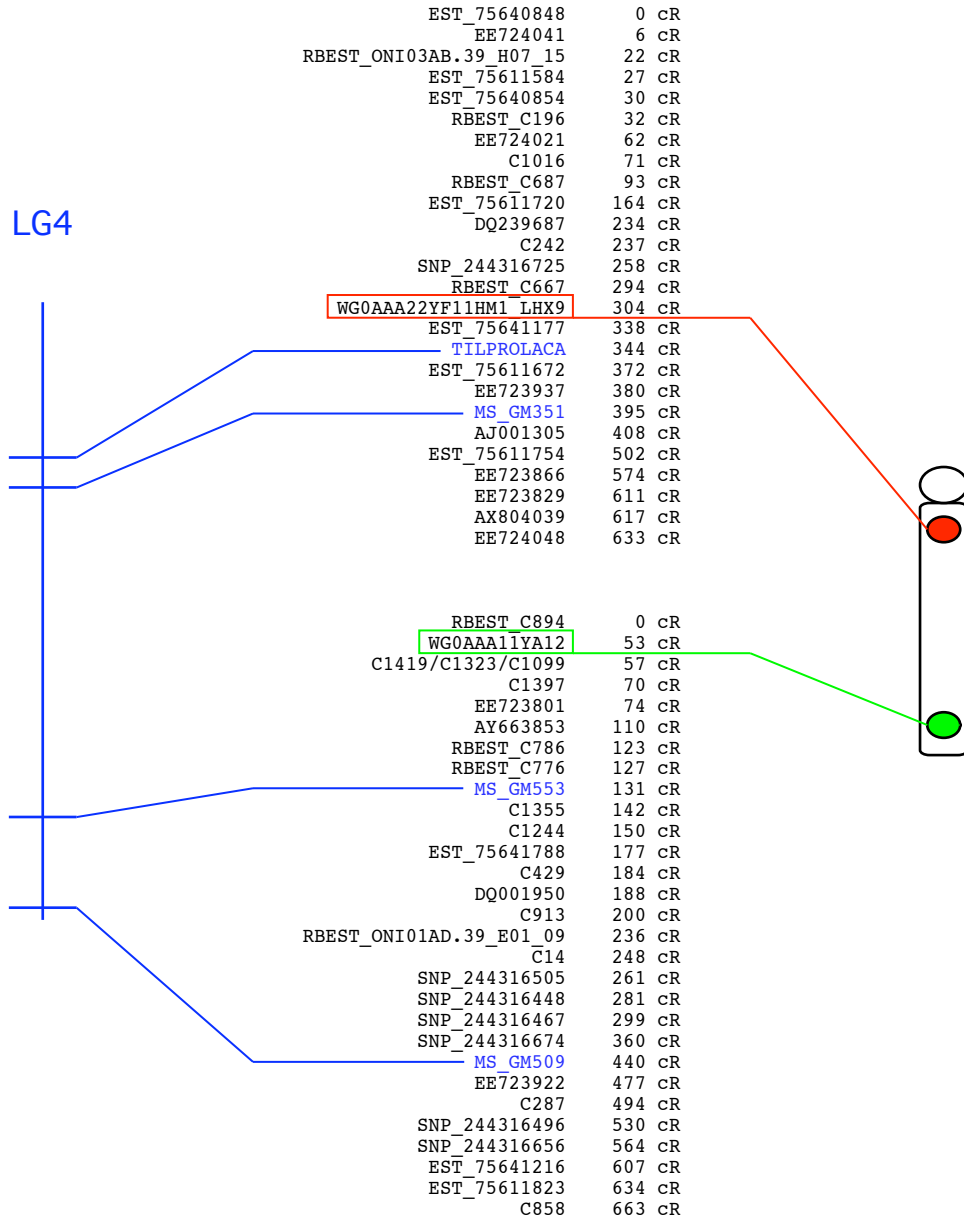
	C136	0	cR
	SNP_244316542	14	cR
	EE724126	62	cR
	EST_75611782	69	cR
	EST_75640846	129	cR
	RBEST_ONI03AA.39_A03_01	175	cR
	RBEST_ONI02DC.39_C01_05	179	cR
	EST_75641174	186	cR
	WG0AAA2YH18HM1_FGF24	192	cR
	WG0AAA33YA15HM1_TEX14	220	cR
	SNP_244316562	251	cR
	RBEST_ONI04JD.39_F12_12	295	cR
	EST_75611607	353	cR
	C1279	374	cR
	RBEST_C805	391	cR
	EE723892	398	cR
	C146	451	cR
	RBEST_ONI05BC.39_G12_14	465	cR
	MS_GM223	476	cR
	EST_75611654	487	cR
	C1028	516	cR
	EST_75611734	520	cR
	AY522594	534	cR
	SNP_244316497	570	cR
	C344	594	cR
	EE724098	618	cR
	C1015	644	cR
	EE723860	645	cR
	C289	648	cR
	C1192	651	cR
	D66874	669	cR
	RBEST_ONI05GA.39_E01_09	672	cR
	WG0AAA30YG19HM1_ATRX	674	cR
	AB245405	684	cR
	MS_GM166	700	cR
	C945	711	cR
	AX804467	715	cR
	EE723936	724	cR
	EST_75611496	740	cR
	EE724028	788	cR
	C375	798	cR
	SNP_244316573	852	cR
	C234	874	cR
	SNP_244316735	1038	cR

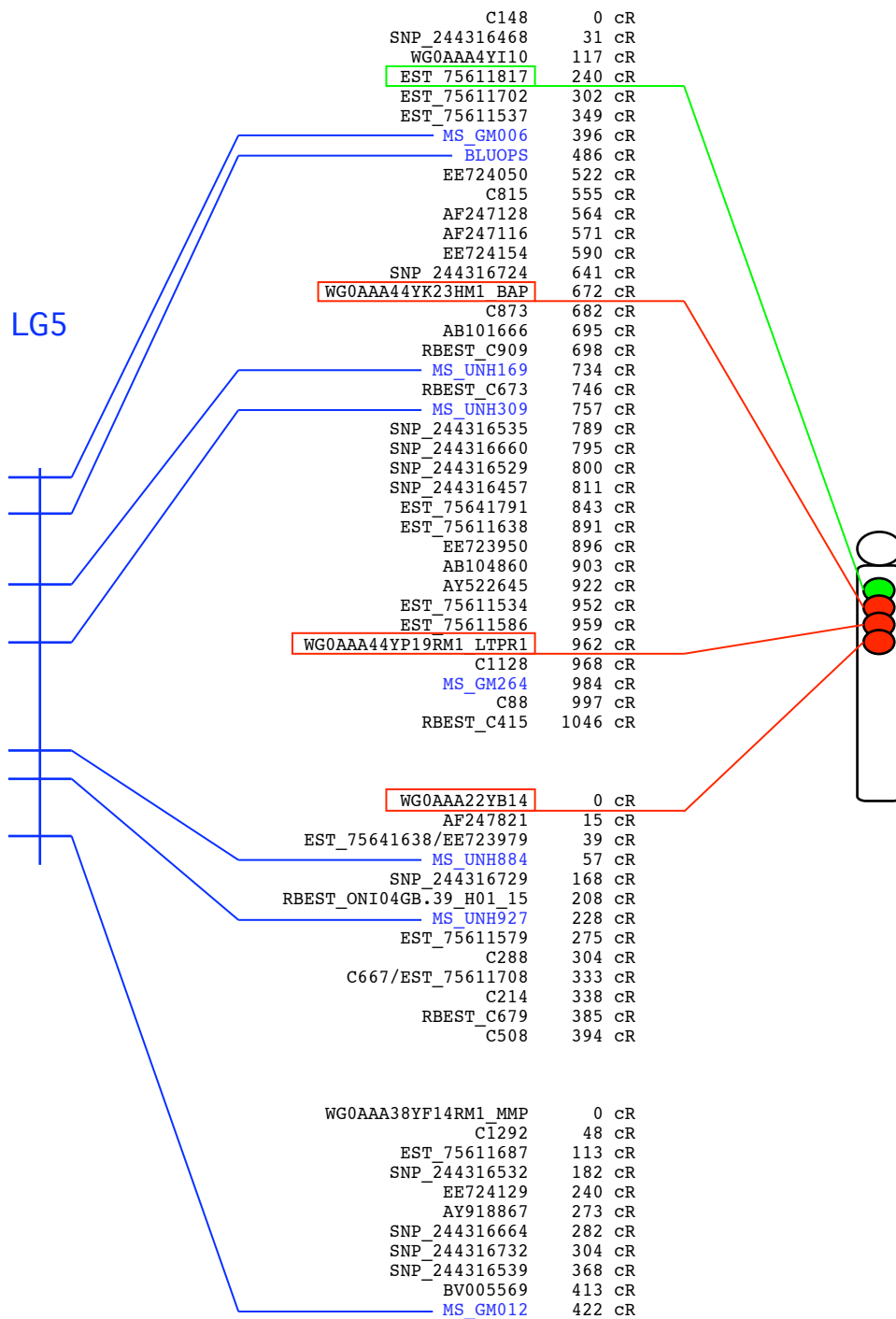


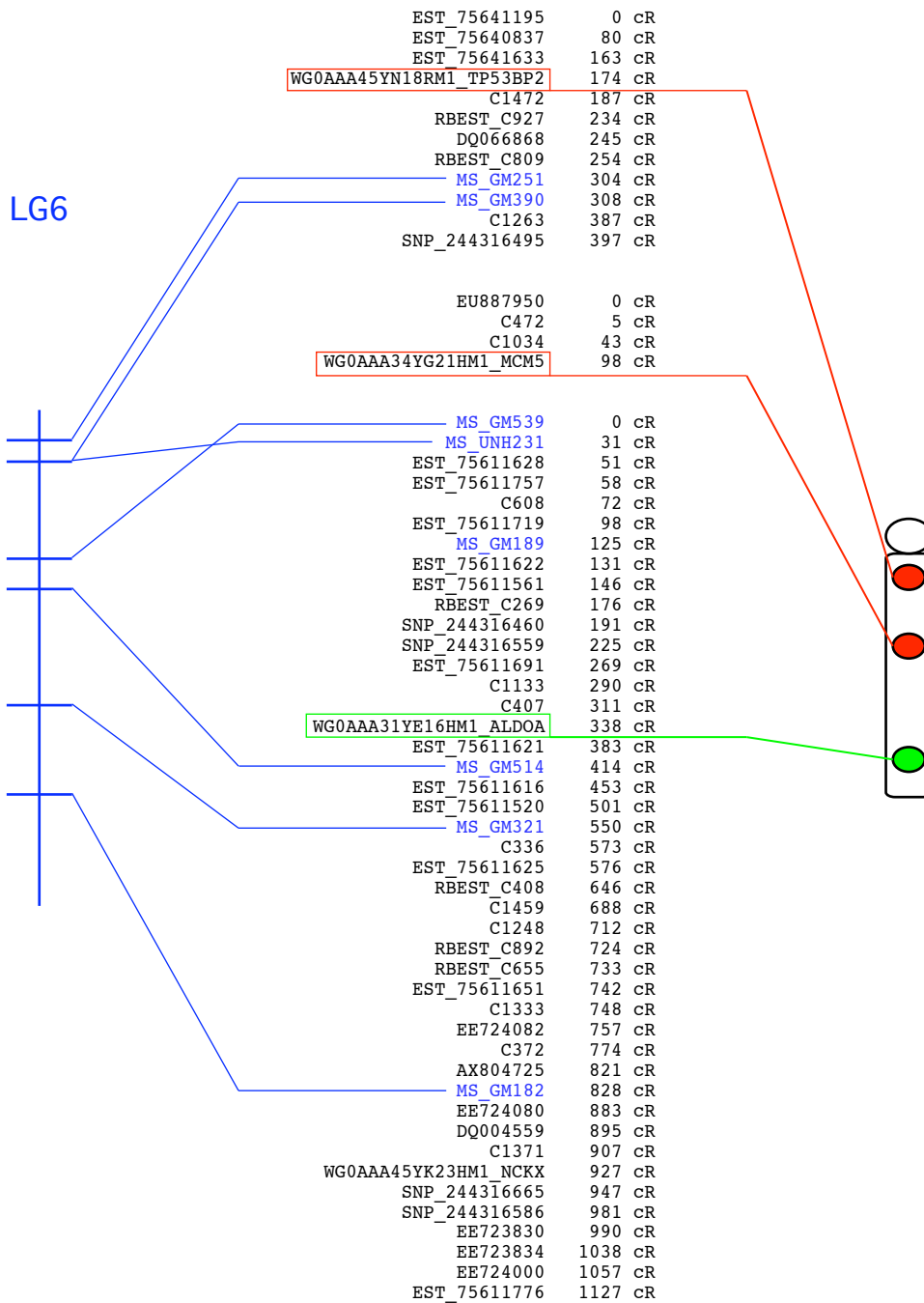
LG3



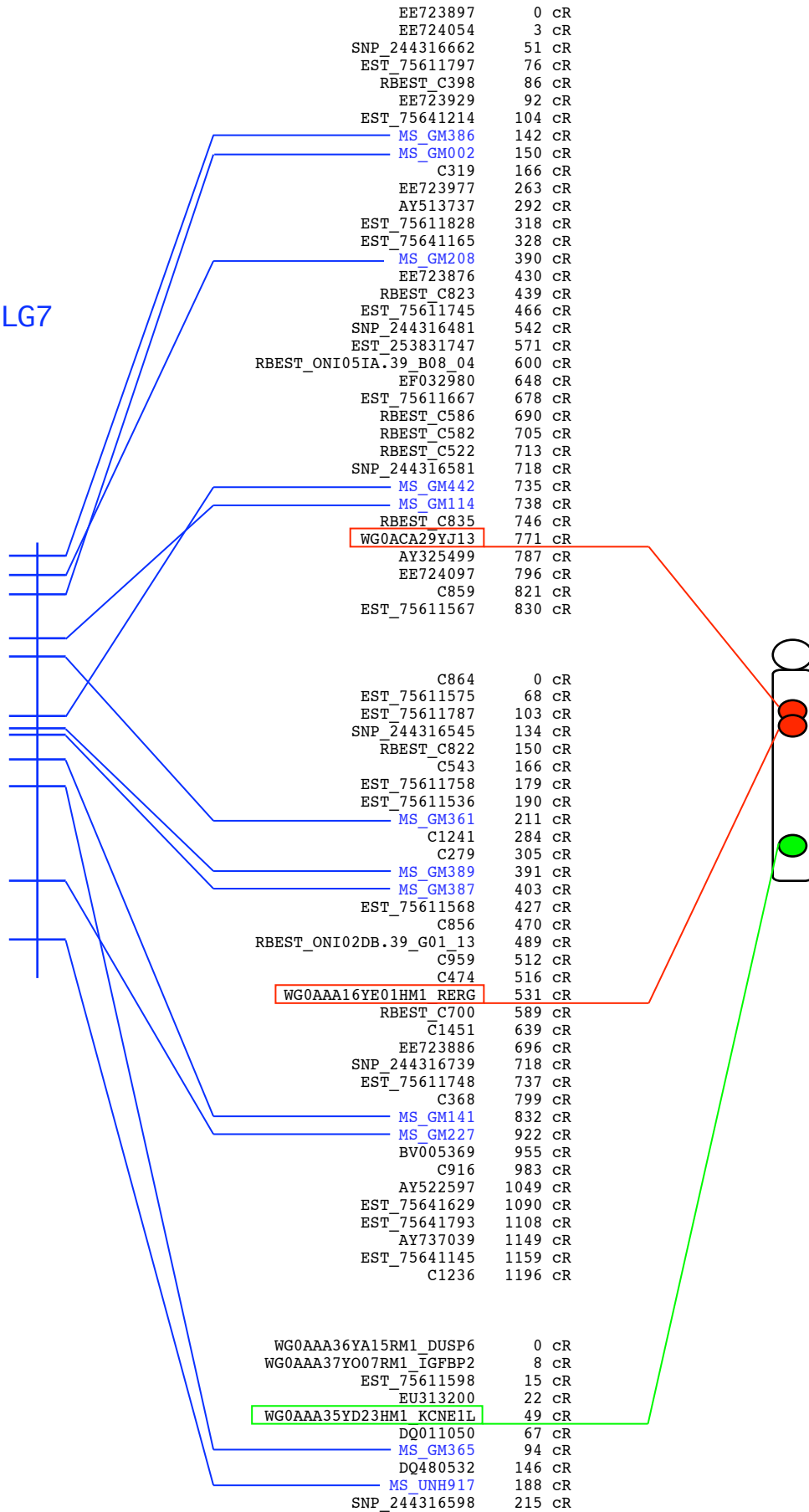
LG4

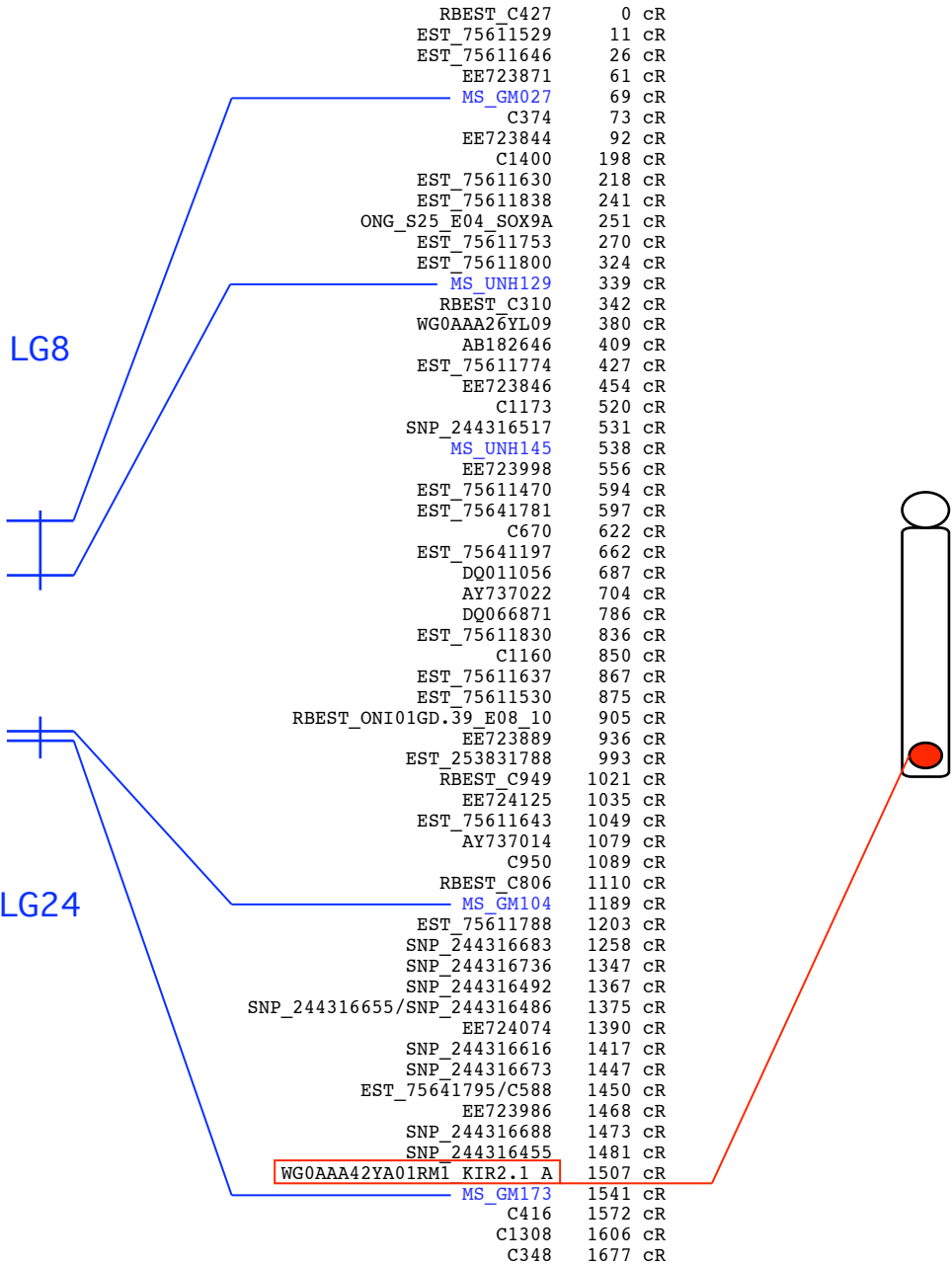


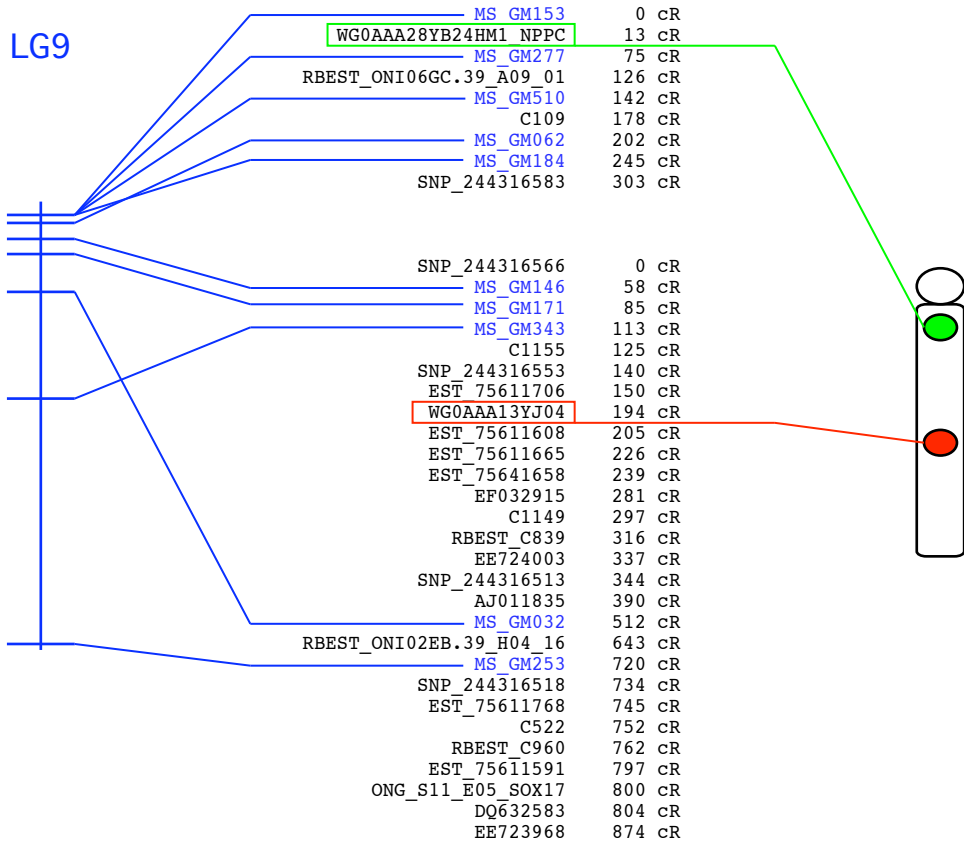




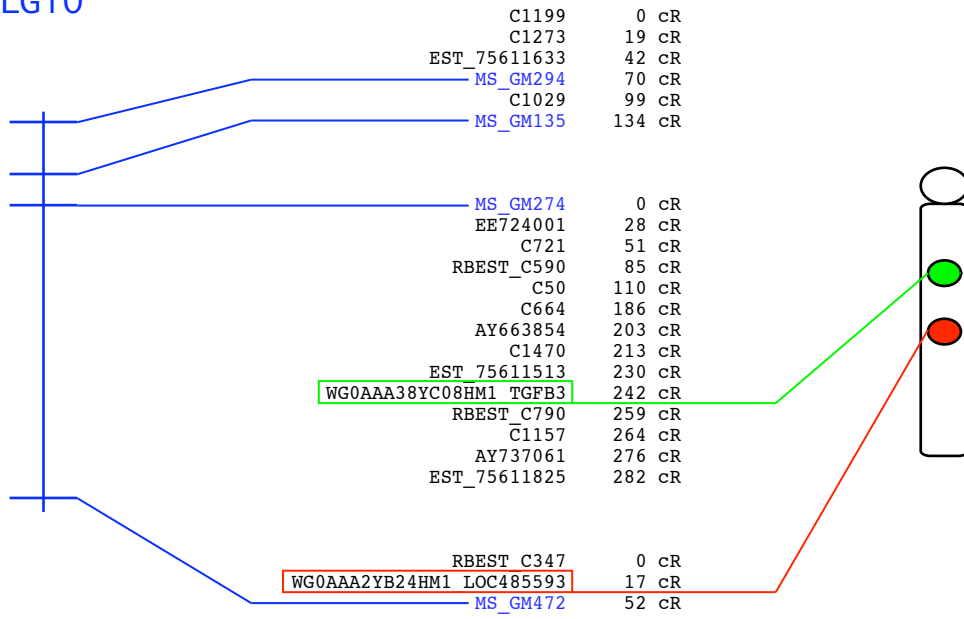
LG7



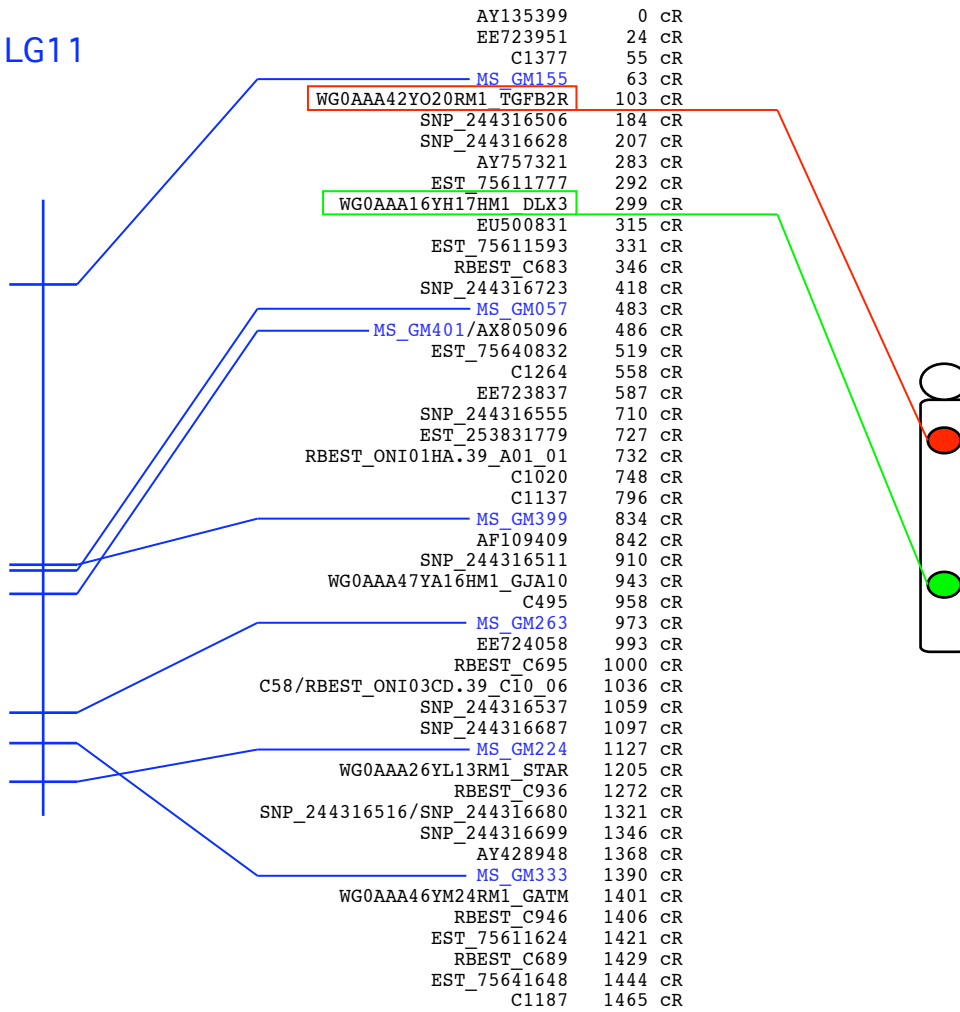




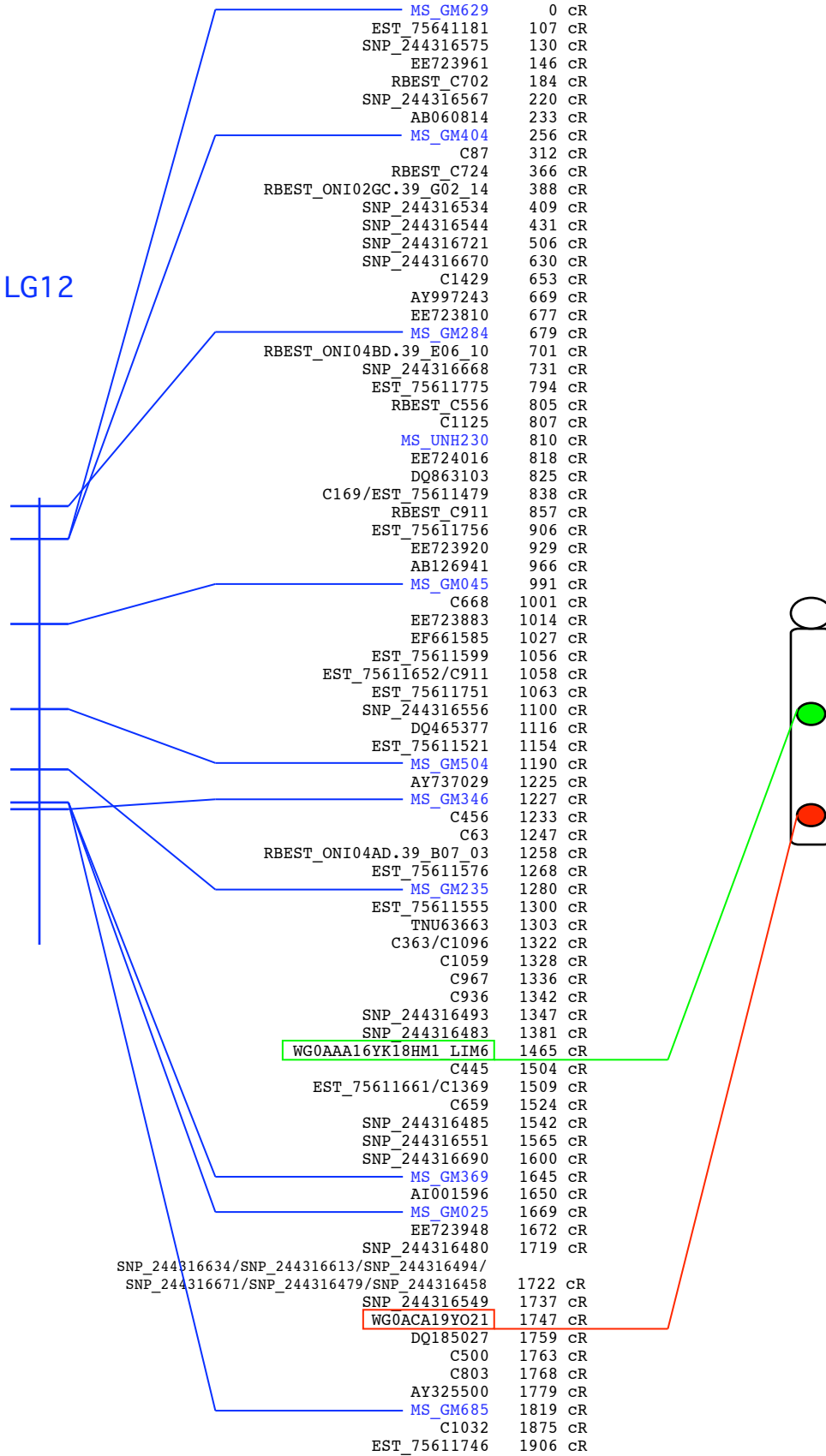
LG10



LG11



LG12

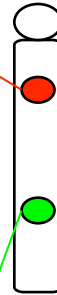


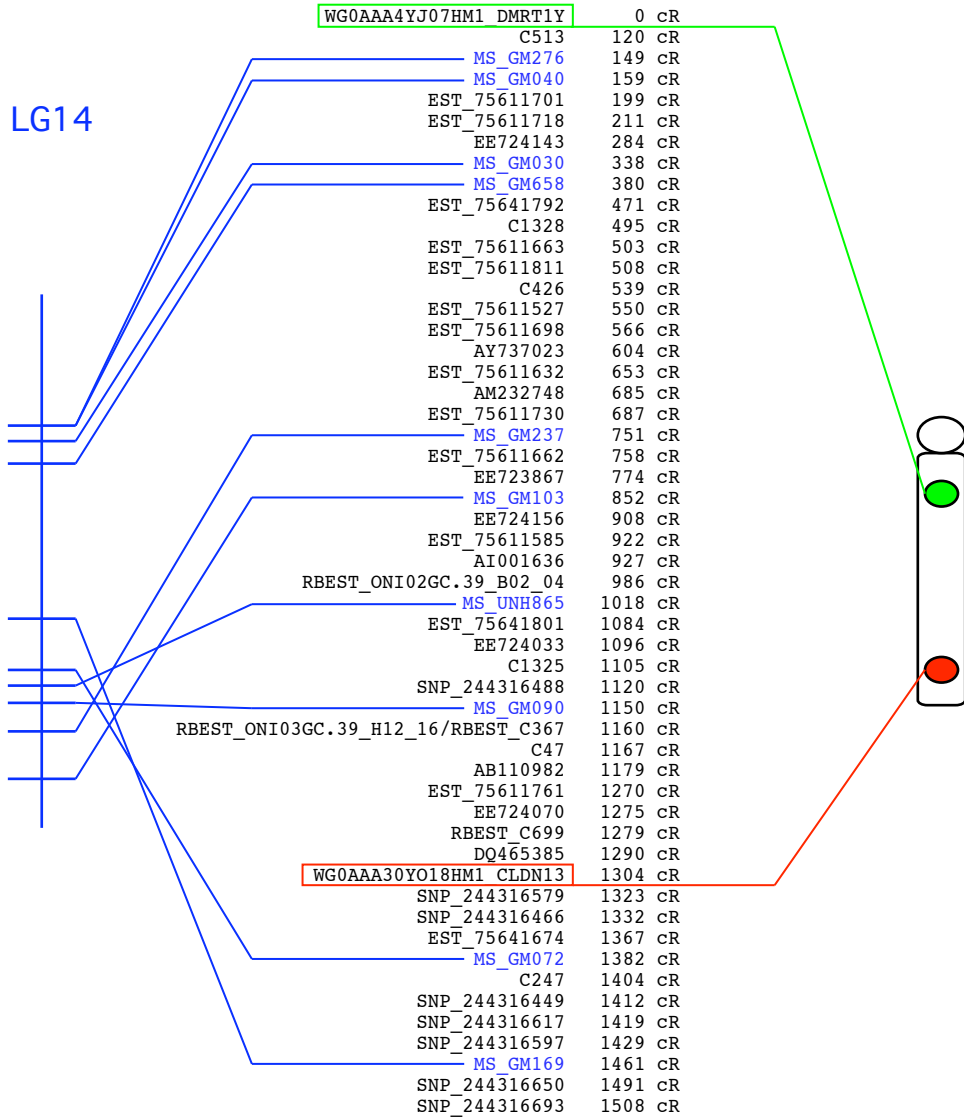
LG13

RBEST_C966	0	CR
EST_253831742	14	CR
AY522636	23	CR
C788	52	CR
MS_GM452	133	CR
SNP_244316521	169	CR
EE723879	211	CR
C626	258	CR
SNP_244316689	281	CR
SNP_244316646/SNP_244316512	298	CR
SNP_244316584	302	CR
SNP_244316625	337	CR
SNP_244316531	344	CR
EST_75611500	390	CR

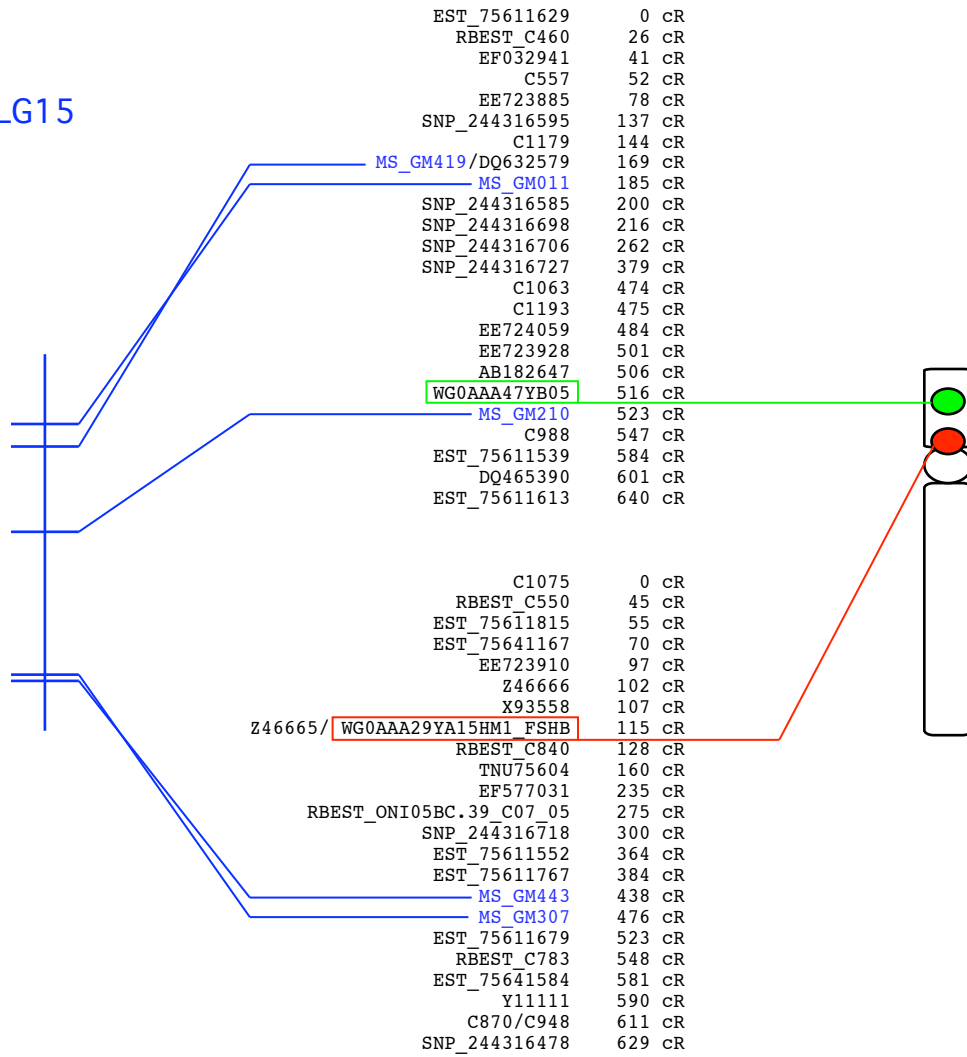
MS_GM503	0	CR
AY737019	47	CR
WG0AAA41YB15RM1	83	CR
SNP_244316638	163	CR
AB048944	232	CR
C1198	235	CR
RBEST_ONI01BD.39_C11_05	256	CR
EST_75611581	270	CR
C886	332	CR
RBEST_C956	383	CR
SNP_244316606	390	CR
SNP_244316607	407	CR
C1334	438	CR
EST_75611645	450	CR
EST_75611703	466	CR
AB041763	476	CR

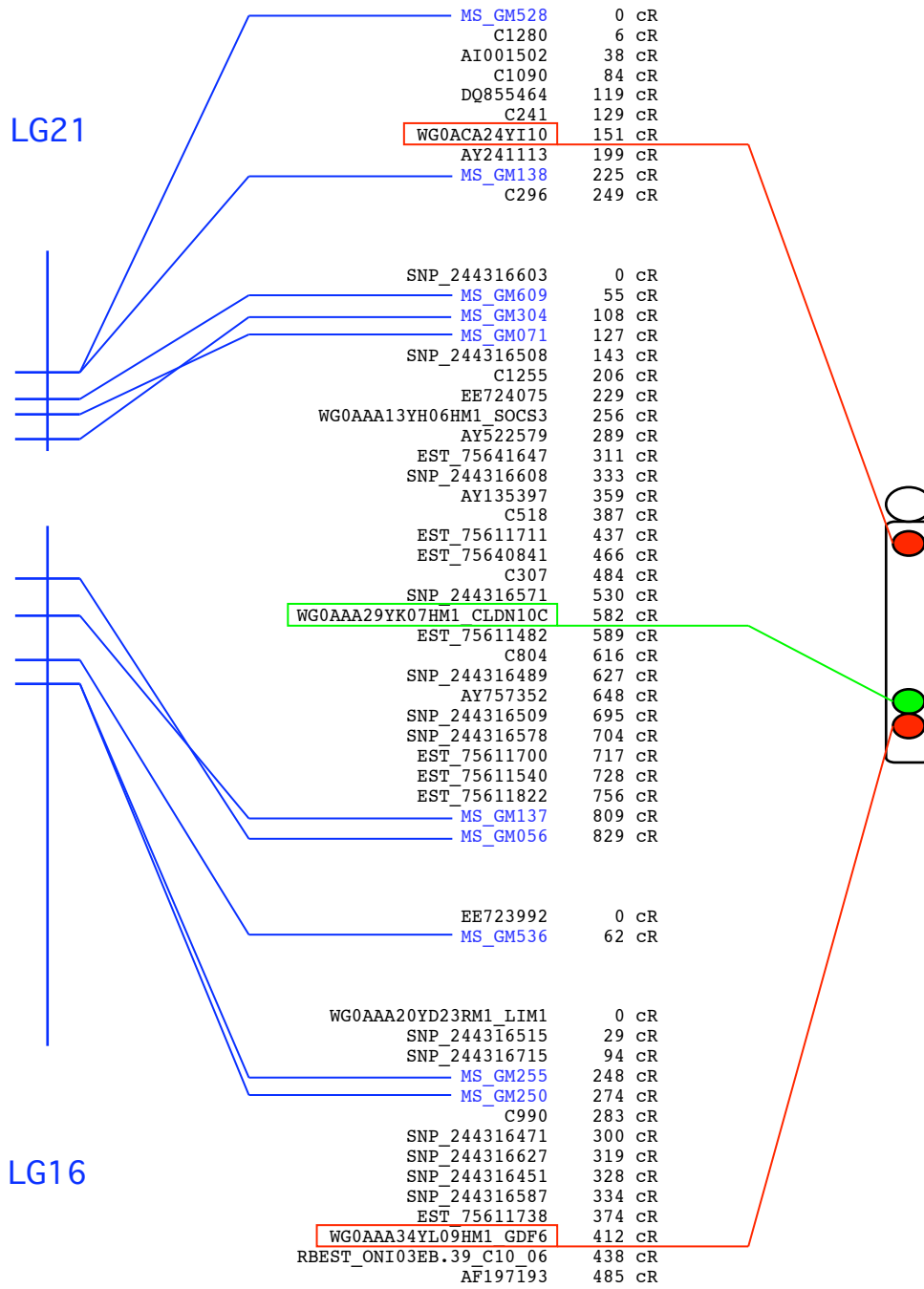
SNP_244316523	0	CR
AY170326	8	CR
C436	24	CR
C1266	38	CR
C897	50	CR
EST_75611649	85	CR
EE724036	90	CR
AX804099	108	CR
EE724014	134	CR
RBEST_C359	150	CR
SNP_244316600	166	CR
SNP_244316526	190	CR
EF081463	314	CR
C876/WG0AAA35YG16HM1_CLIC4	317	CR
EST_75611653	351	CR
MS_GM535	400	CR
EE723989	426	CR
MS_GM373	483	CR



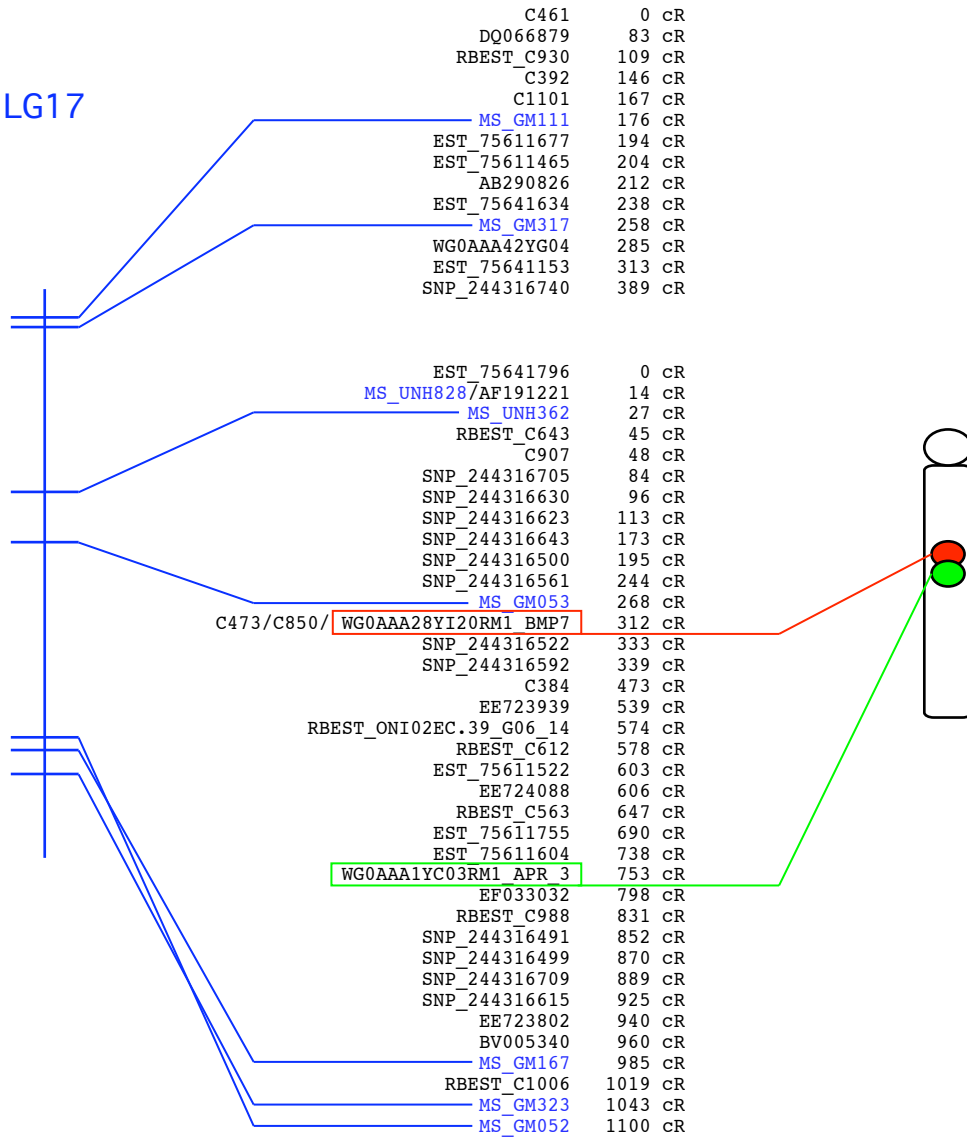


LG15

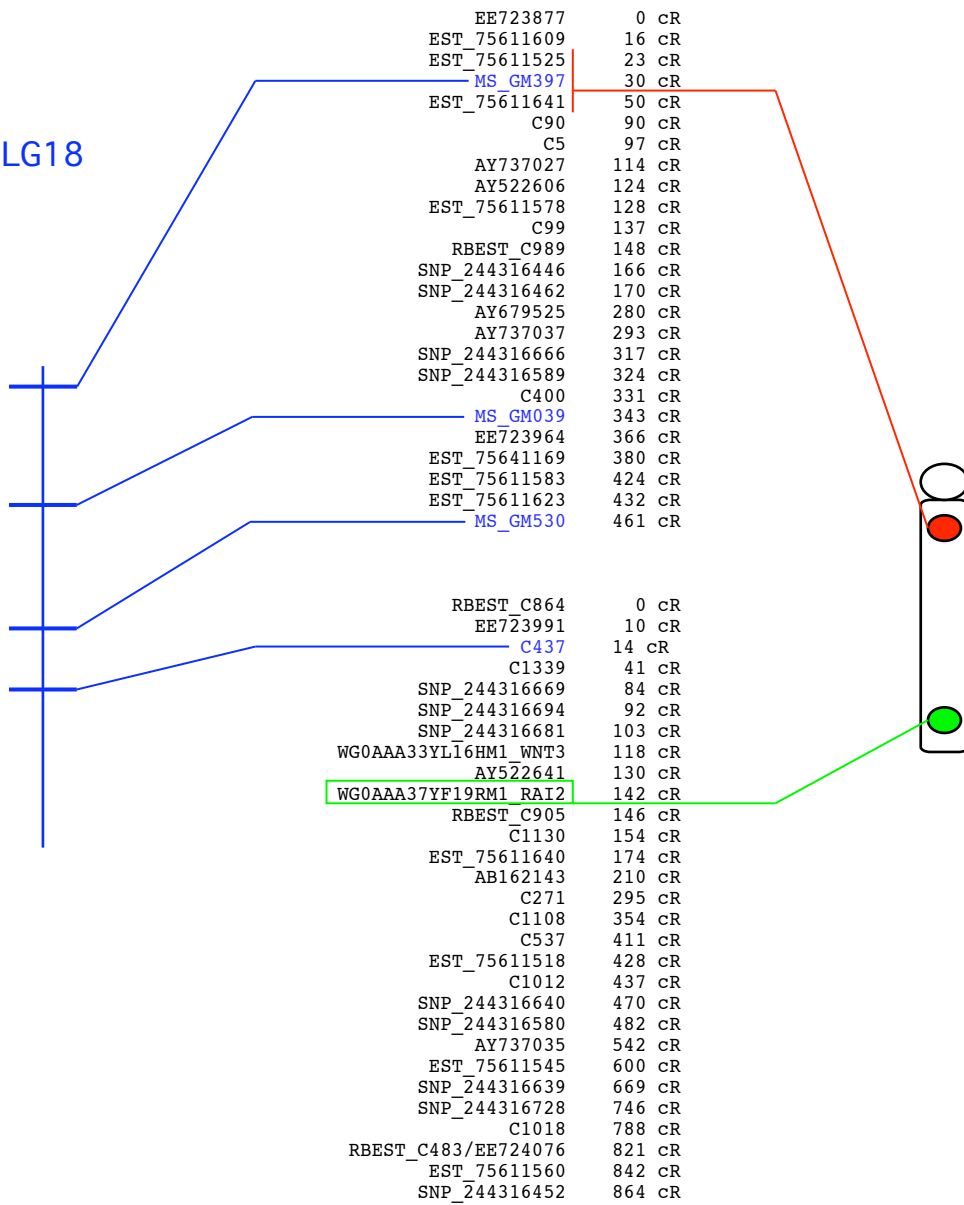




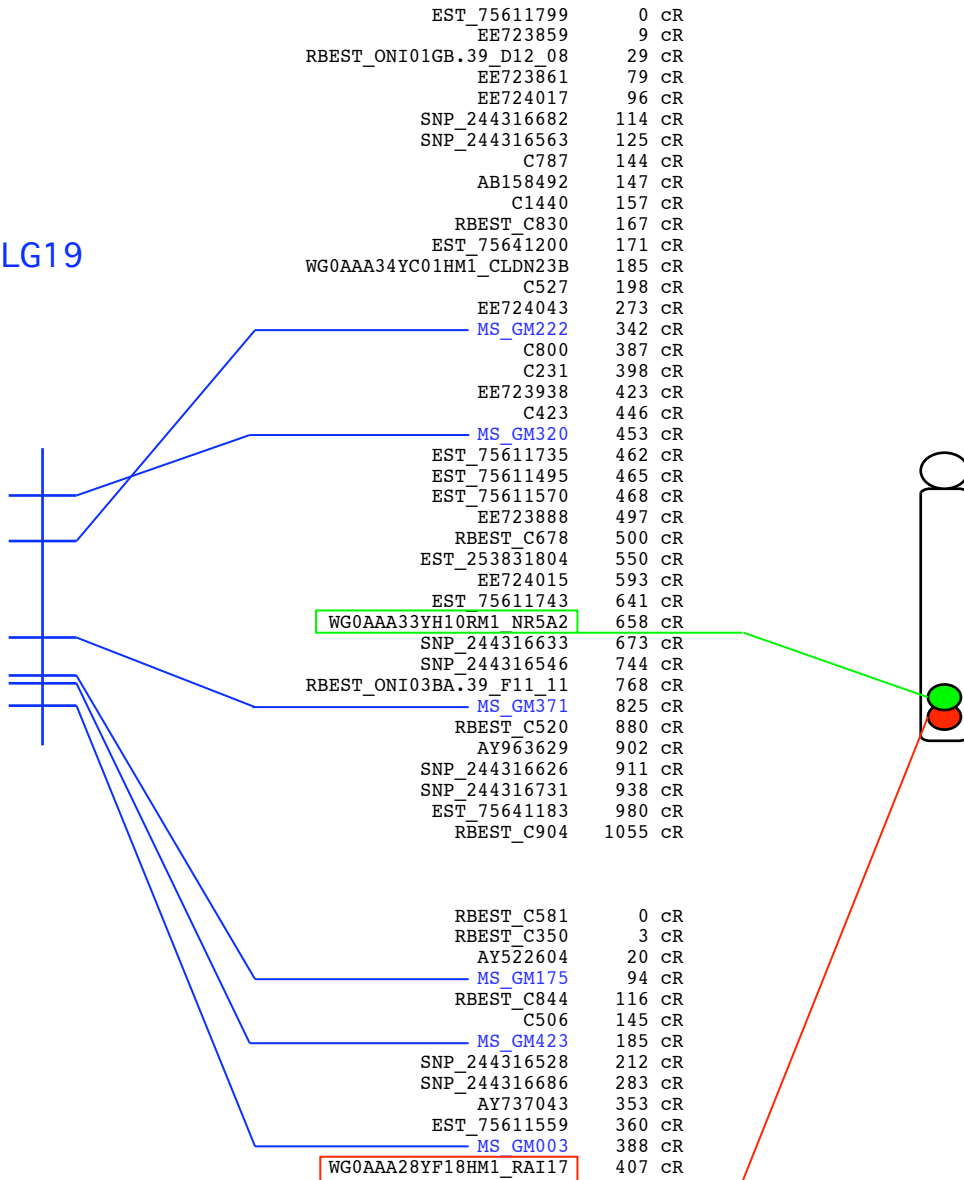
LG17



LG18



LG19

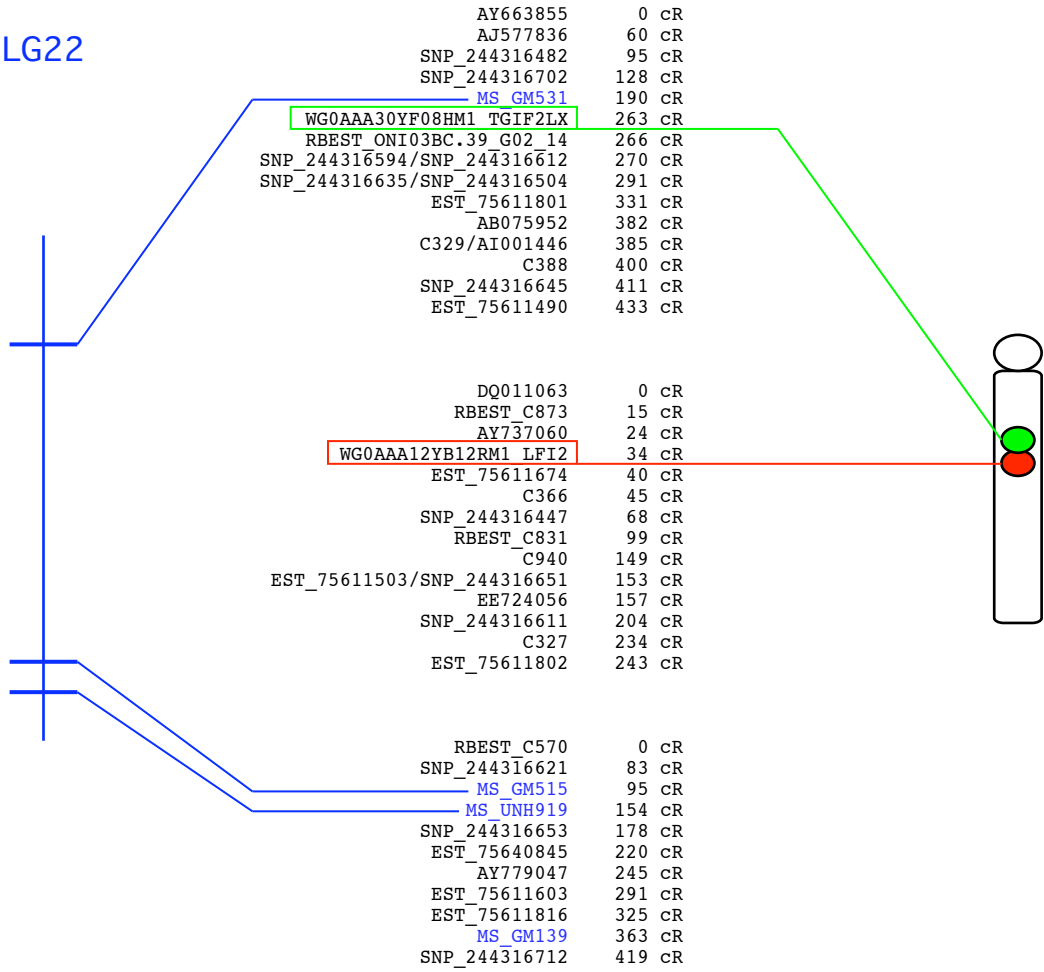


LG20

EST_253831767	0	CR
C96	31	CR
SNP_244316472	49	CR
SNP_244316564	51	CR
SNP_244316591	113	CR
MS_GM120	133	CR
SNP_244316525	0	CR
SNP_244316675	4	CR
SNP_244316622	34	CR
SNP_244316554	63	CR
EST_75611517	78	CR
WG0AAA39YO12HM1 OTT	81	CR
EE723995	92	CR
EE724039	119	CR
EST_75641627	136	CR
EST_75611611	174	CR
EST_75641152	207	CR
AY522610	217	CR
EST_75641660	224	CR
EE724127	257	CR
EST_75611612	272	CR
EST_75640840	282	CR
RBEST_ONI03EB.39_A01_01	347	CR
EE723819	391	CR
C647	404	CR
EST_75611596	415	CR
C254/C371	421	CR
SNP_244316648	484	CR
C431	0	CR
RBEST_C652	39	CR
EST_75641172	93	CR
WG0AAA32YO06RM1 GATA5	149	CR
DQ011052	200	CR
C1071	217	CR
RBEST_C397	251	CR
C586	406	CR
RBEST_C714	439	CR
EE723835	442	CR
C994	452	CR
AY757344	465	CR
EST_75611727	494	CR
EST_75611780	497	CR
WG0AAA30YN12HM1 CCA1	500	CR
RBEST_C449	510	CR
RBEST_ONI02ED.39_E03_09/EE723898	534	CR
EST_75611837	550	CR
AY513876	576	CR
SNP_244316519	592	CR
MS_GM417	621	CR
MS_GM125	636	CR
SNP_244316654	657	CR
EST_75641787	716	CR
RBEST_C767	722	CR
C252	729	CR
C1475	756	CR



LG22



LG23

