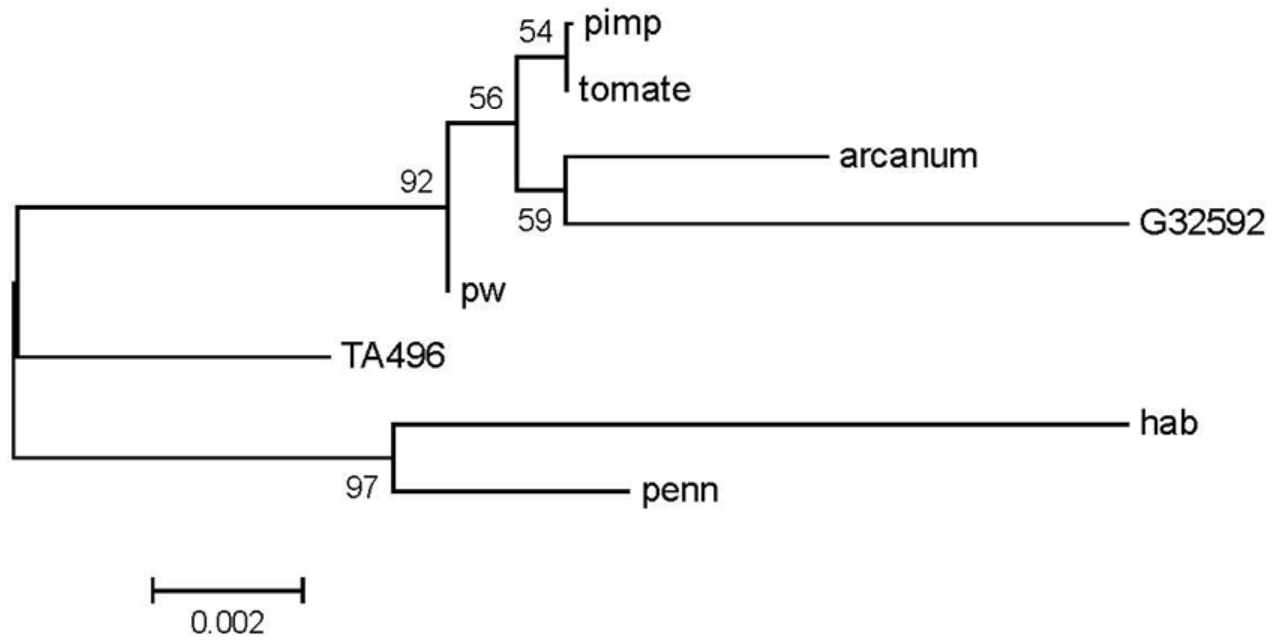
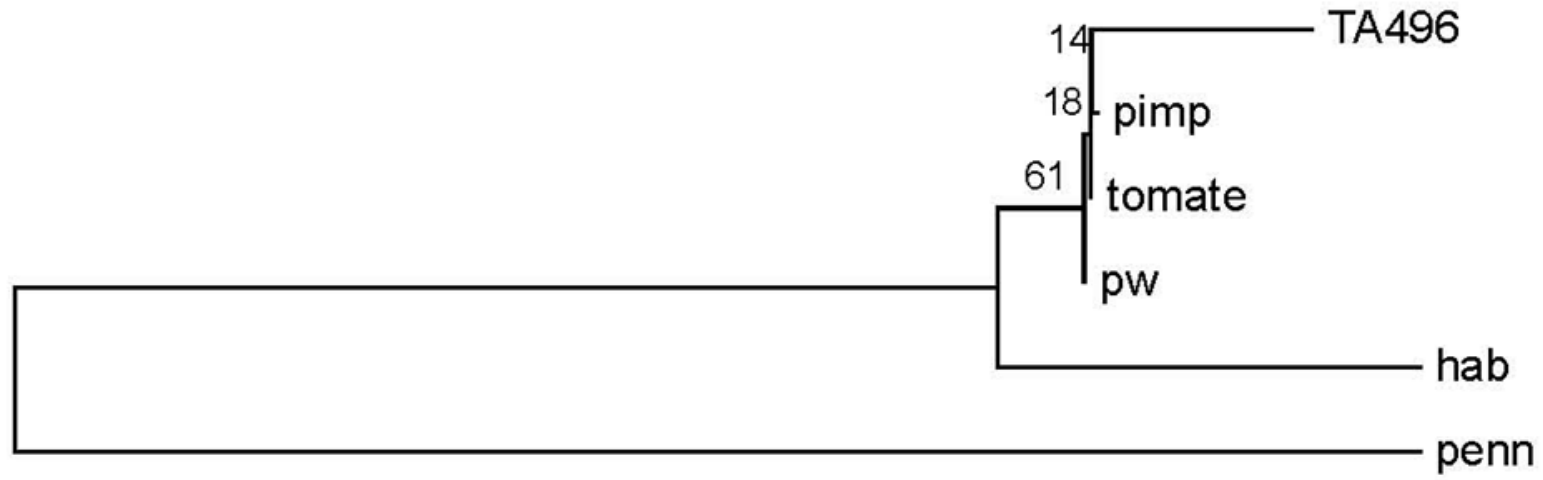


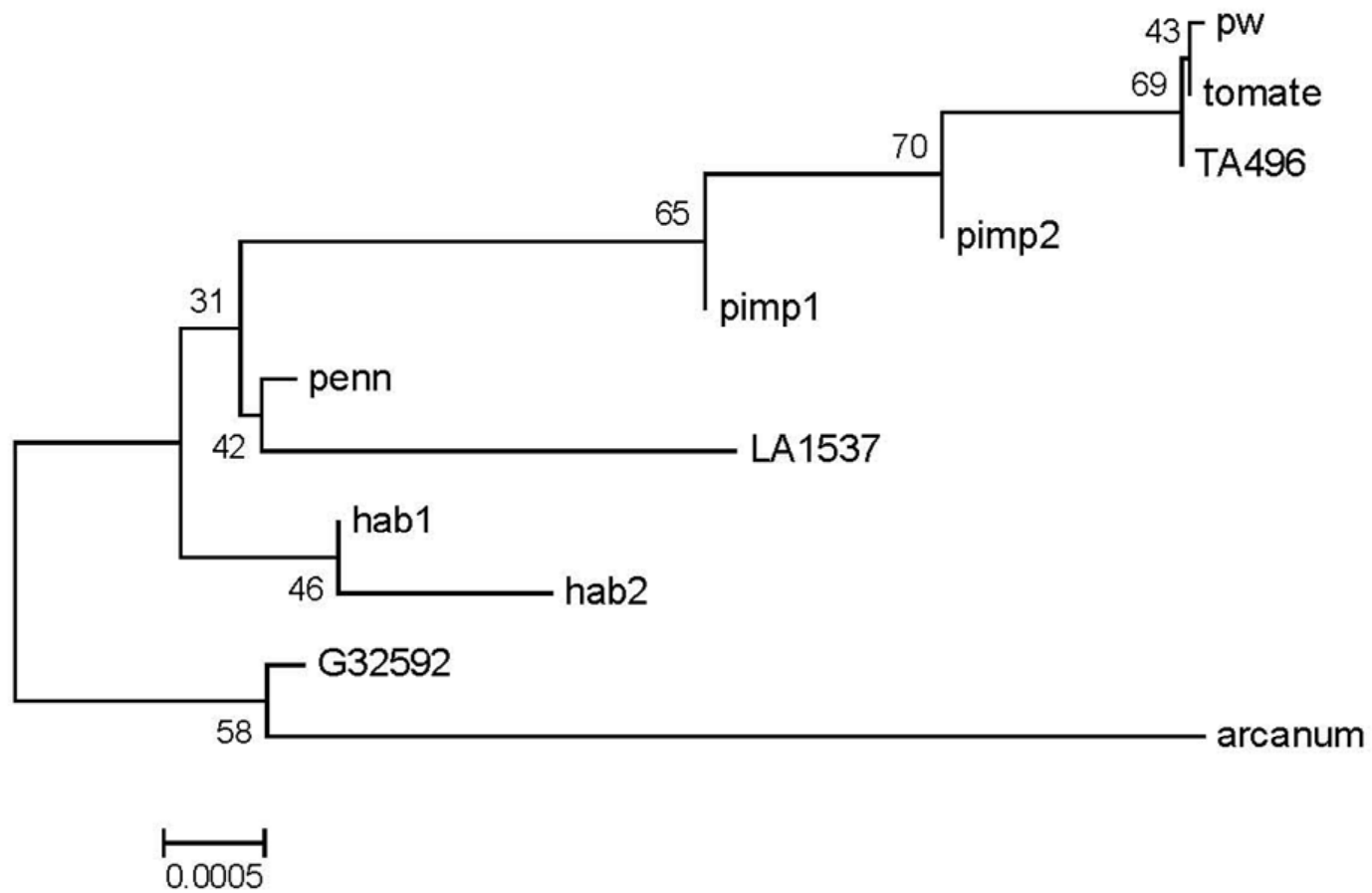
LeSNP1  
437\_2



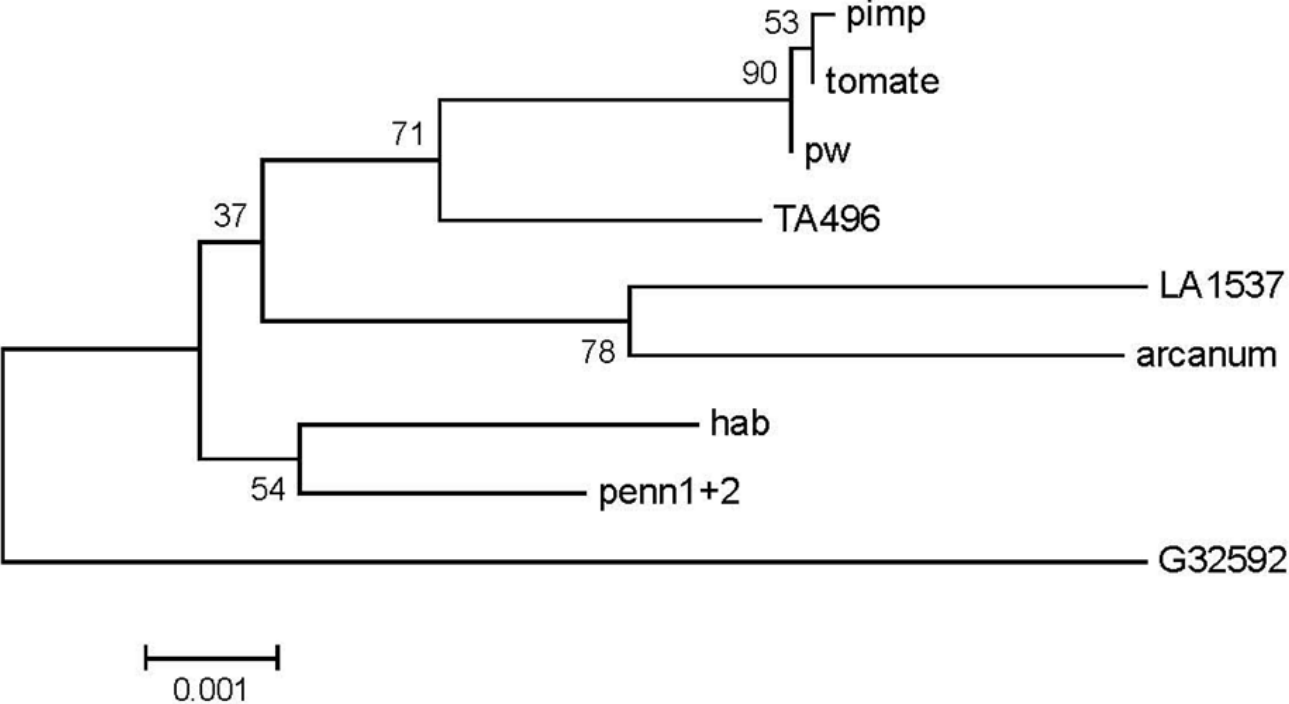
LeSNP3  
3300\_2



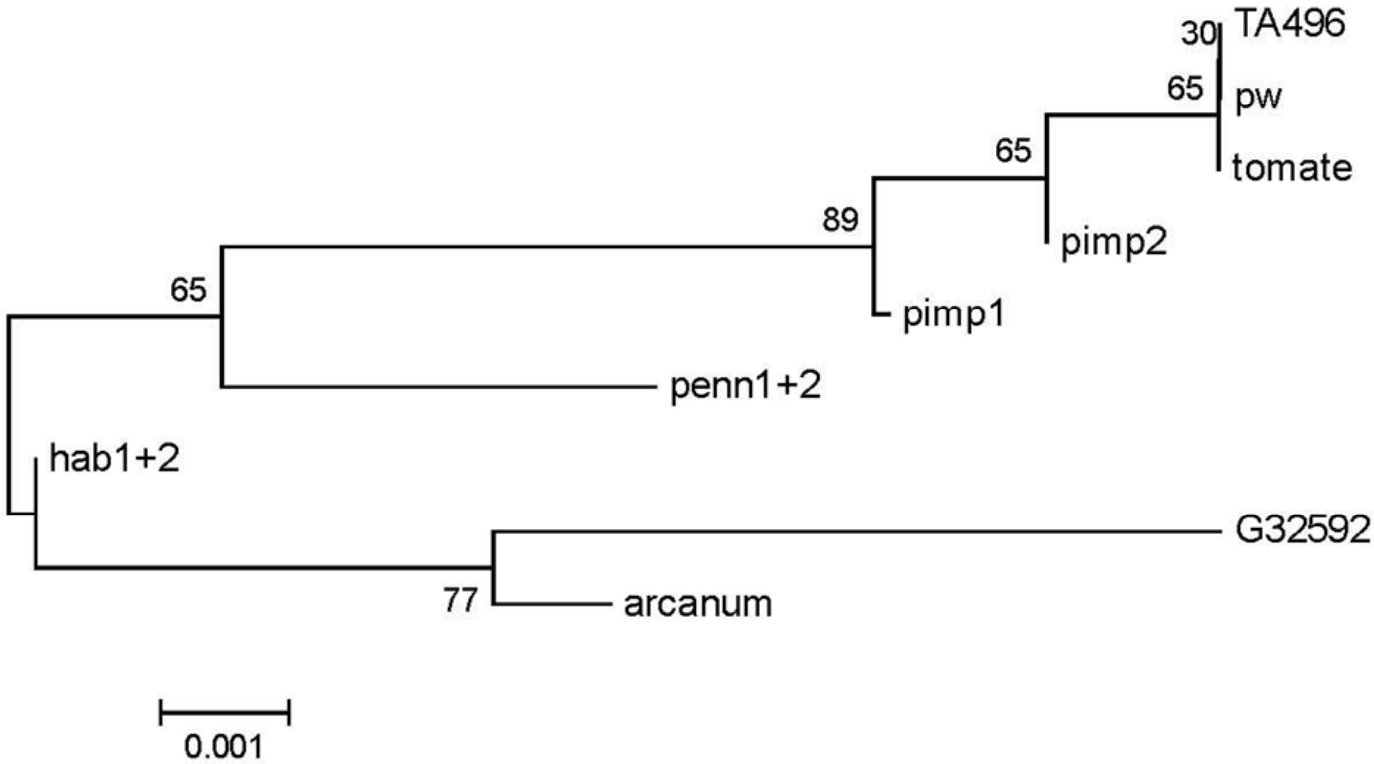
LeSNP4  
4301\_3



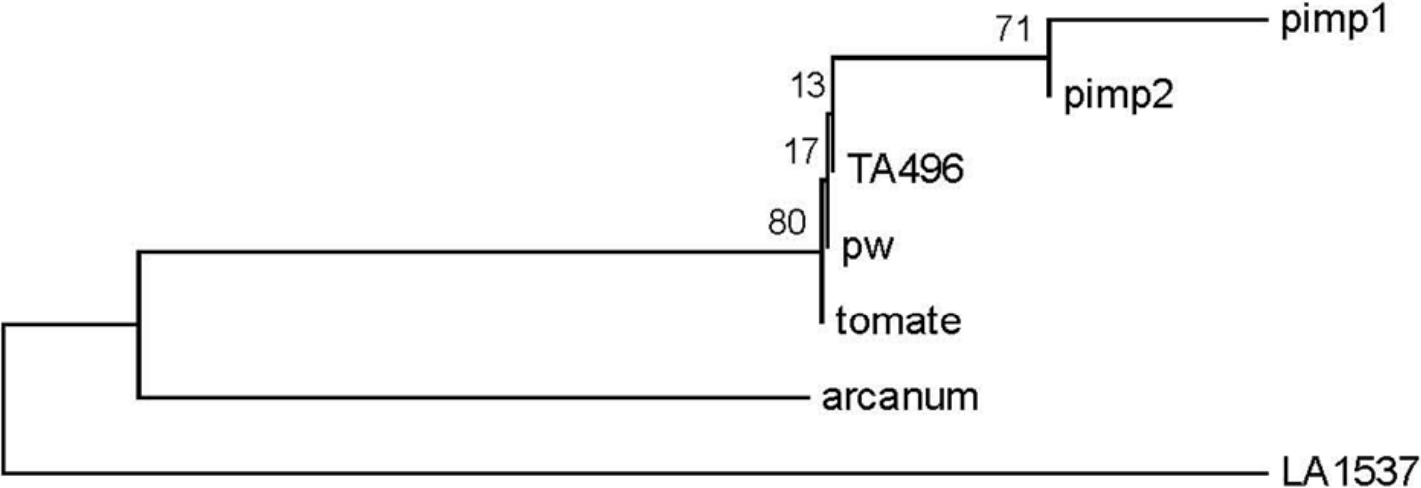
LeSNP5  
3155\_3



LeSNP6  
1260\_2

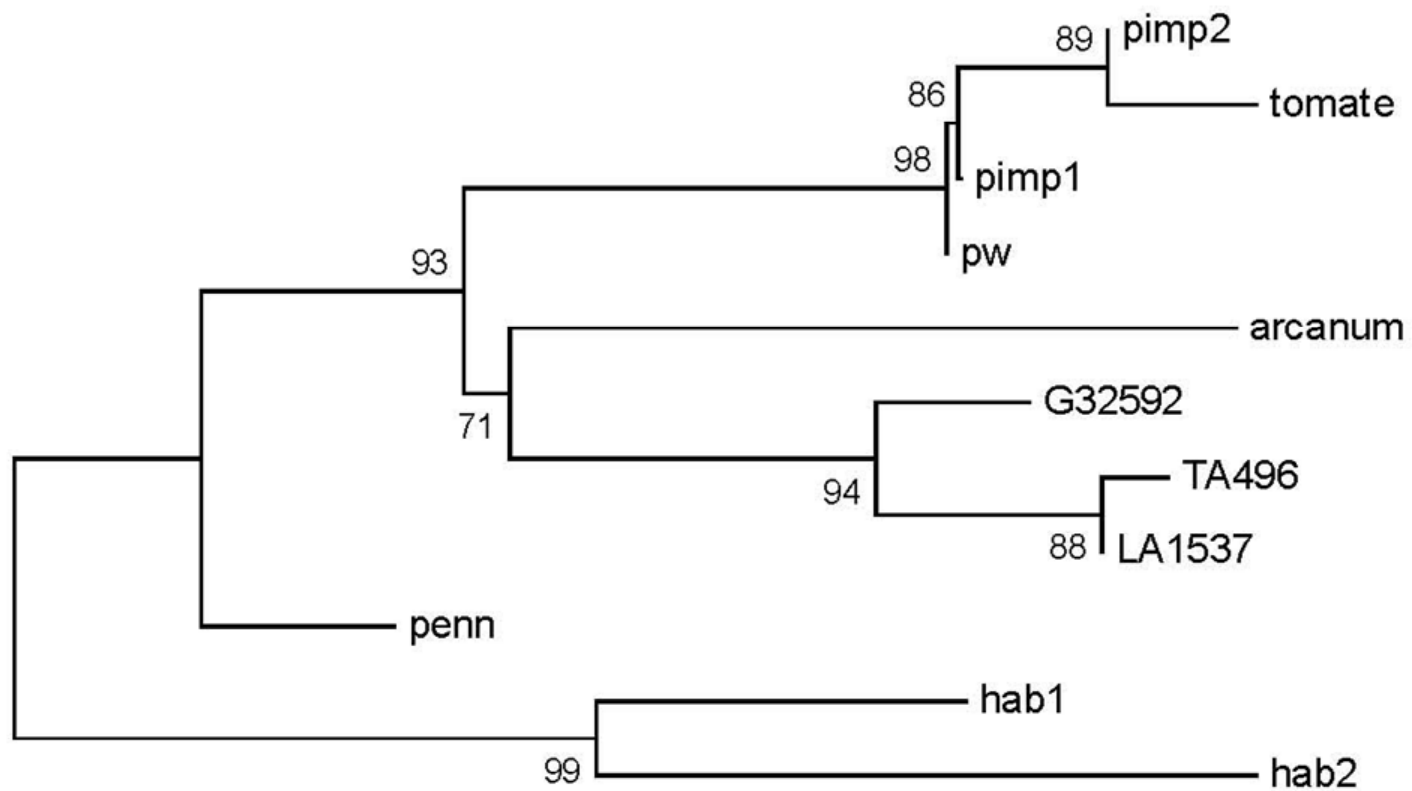


LeSNP7  
3332\_3



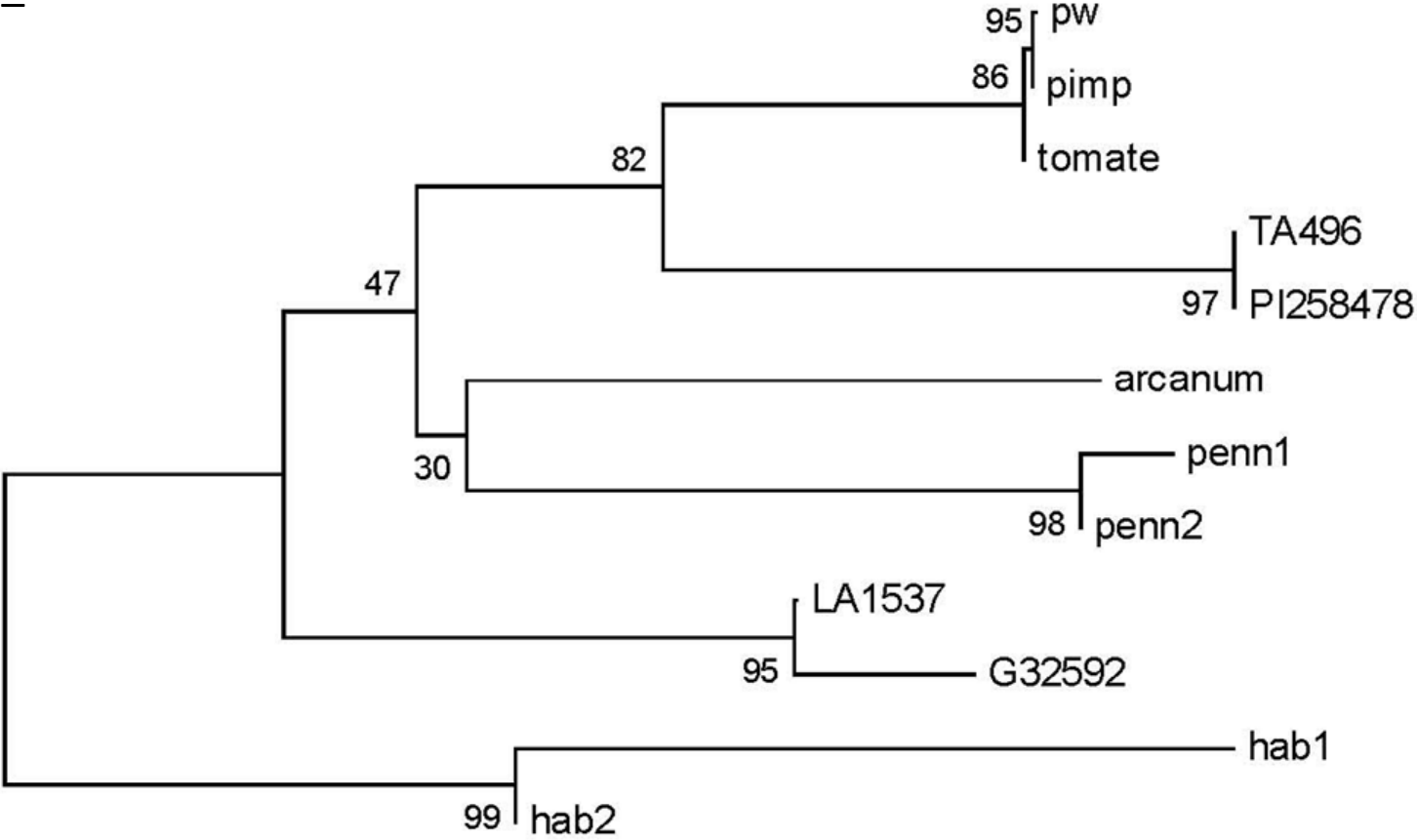
0.005

LeSNP9b  
2534\_1b



0.002

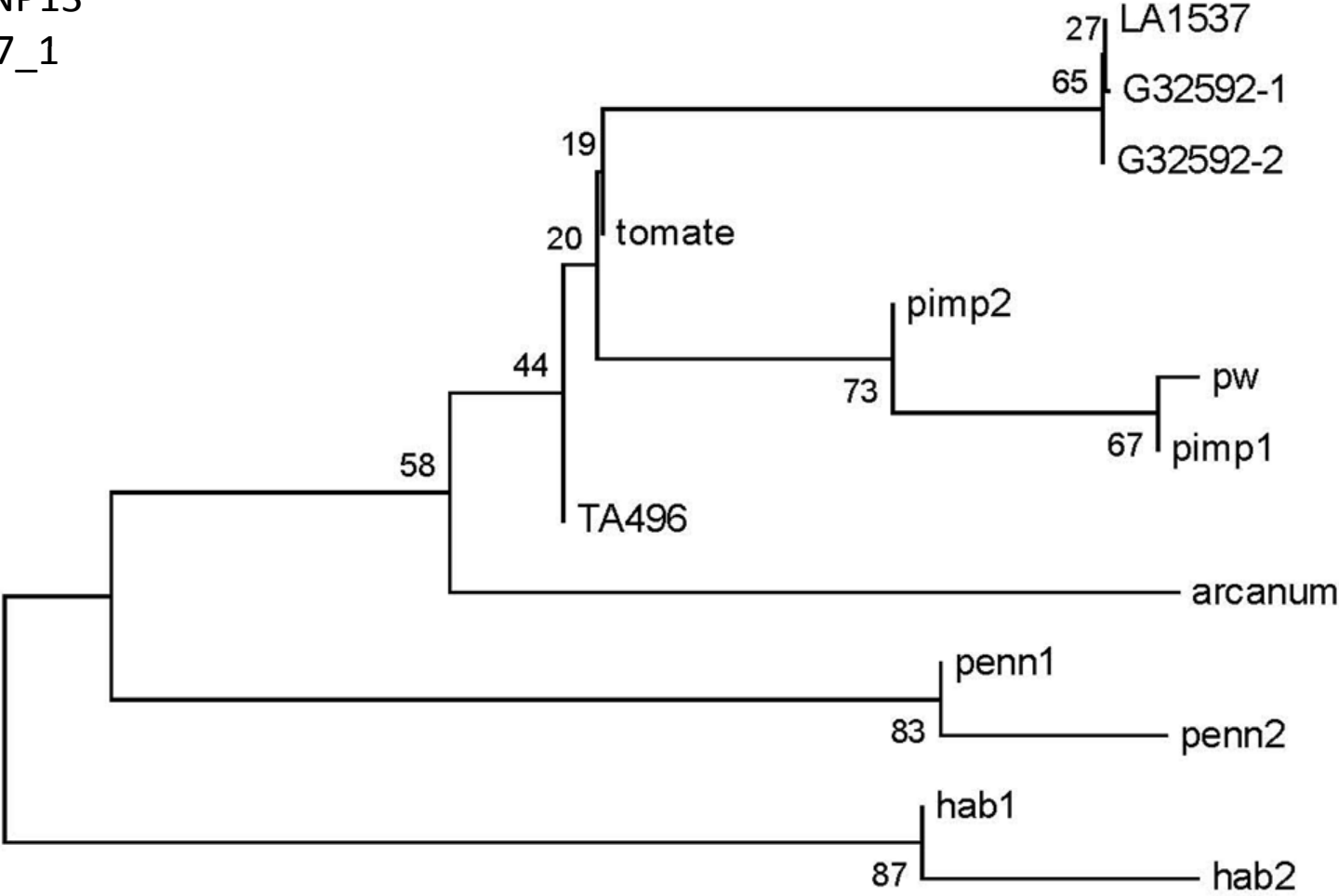
LeSNP10  
2325\_3



0.002

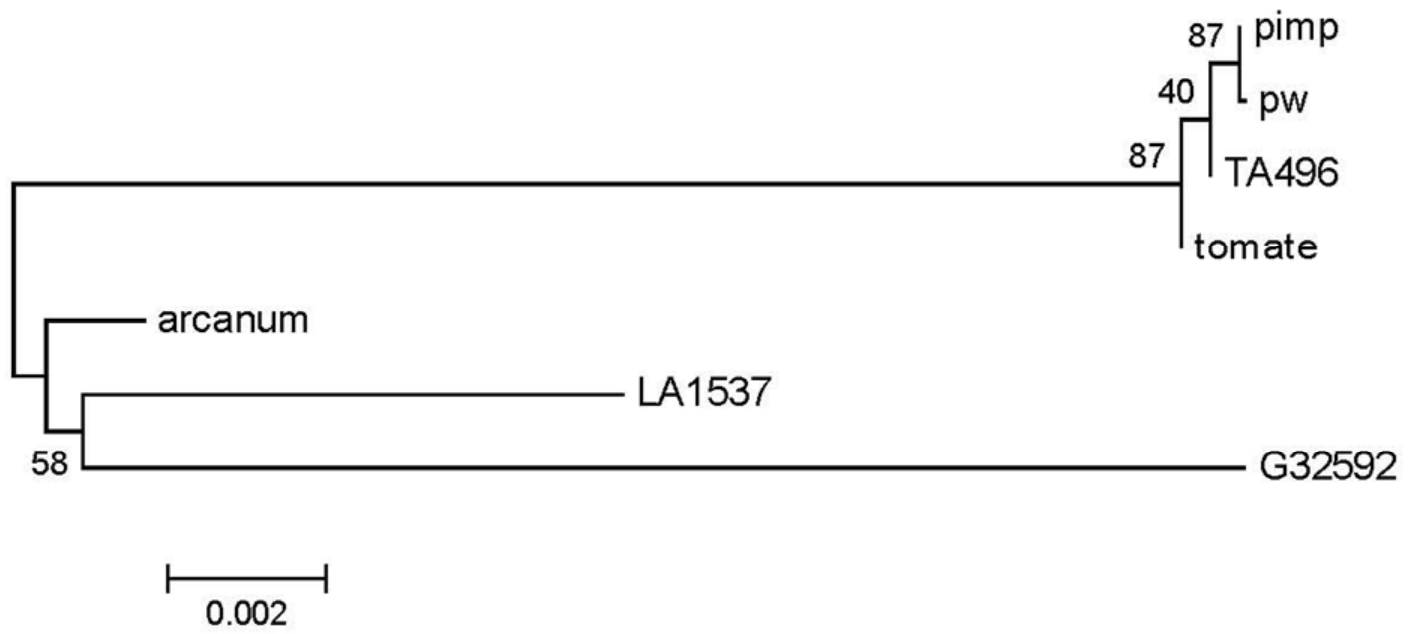


LeSNP13  
1287\_1

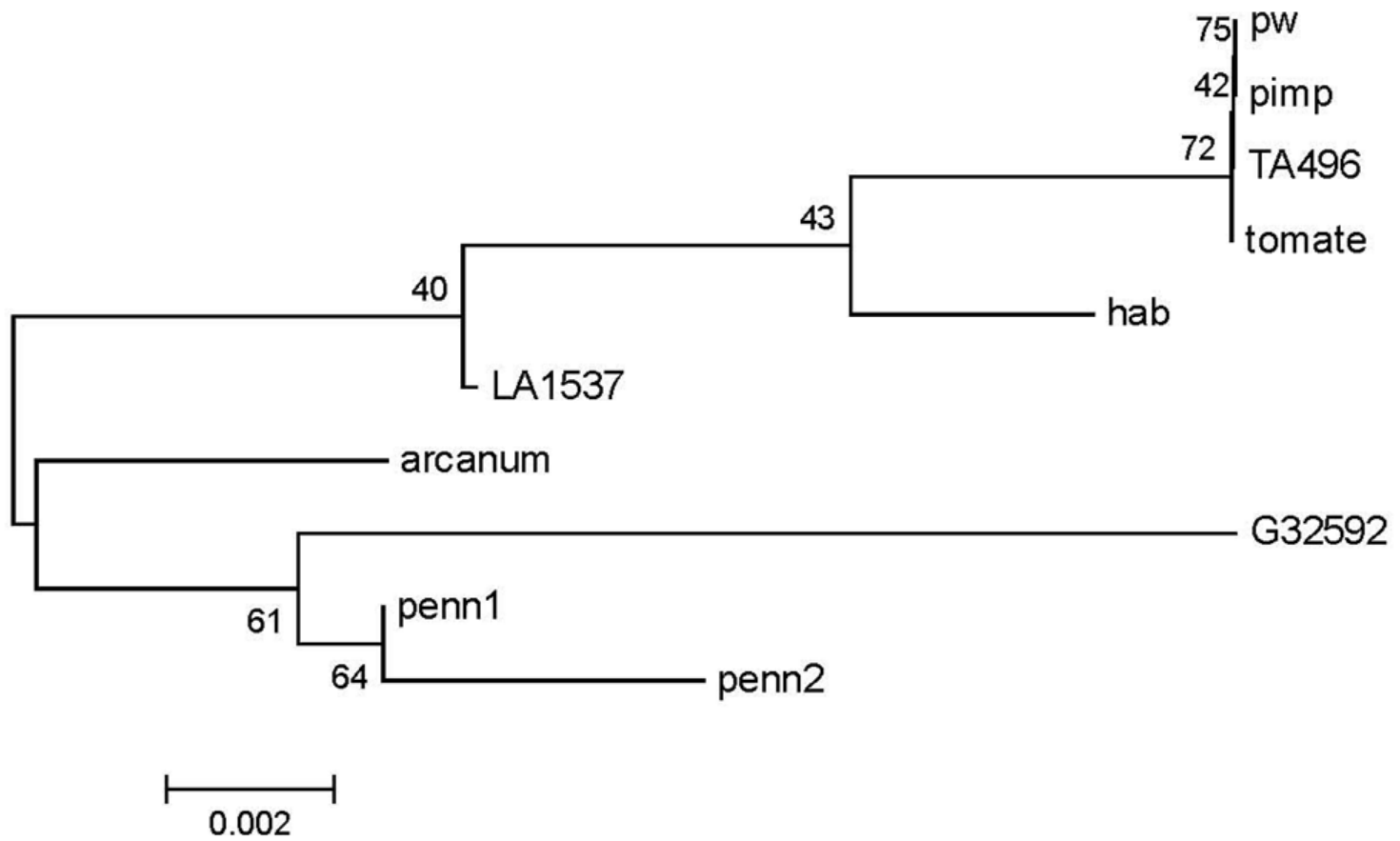


0.005

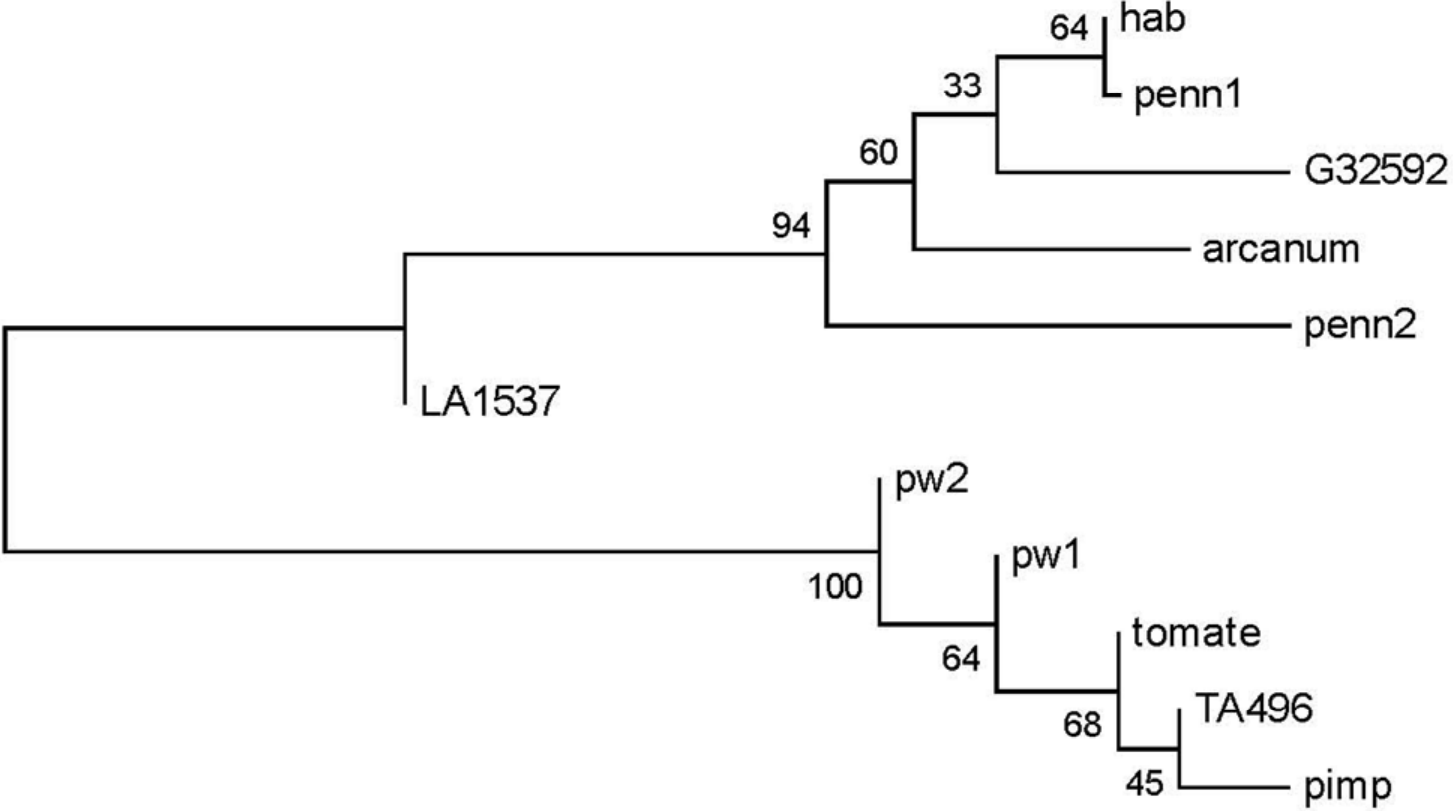
LeSNP16  
1589\_1



LeSNP17  
1675\_1

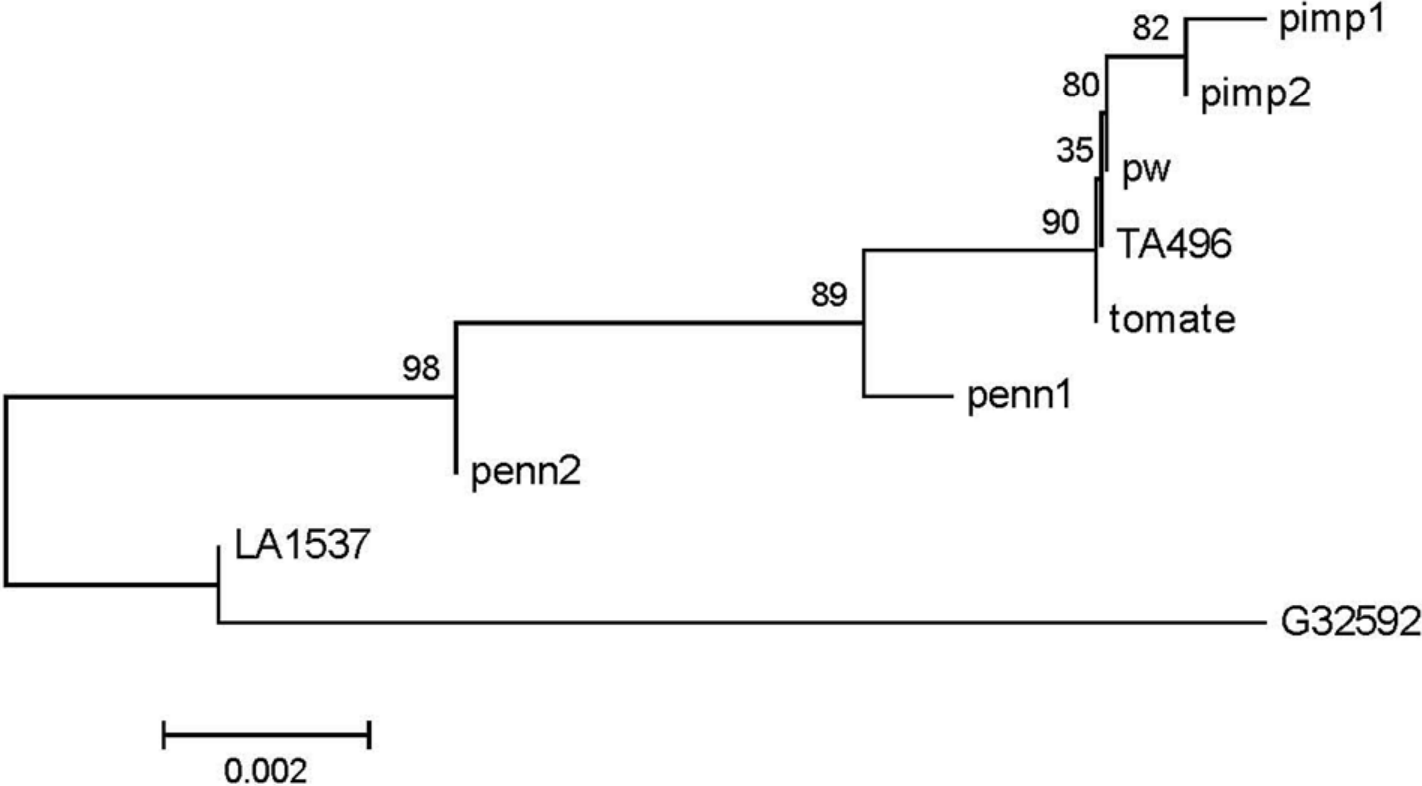


LeSNP19  
1724\_1

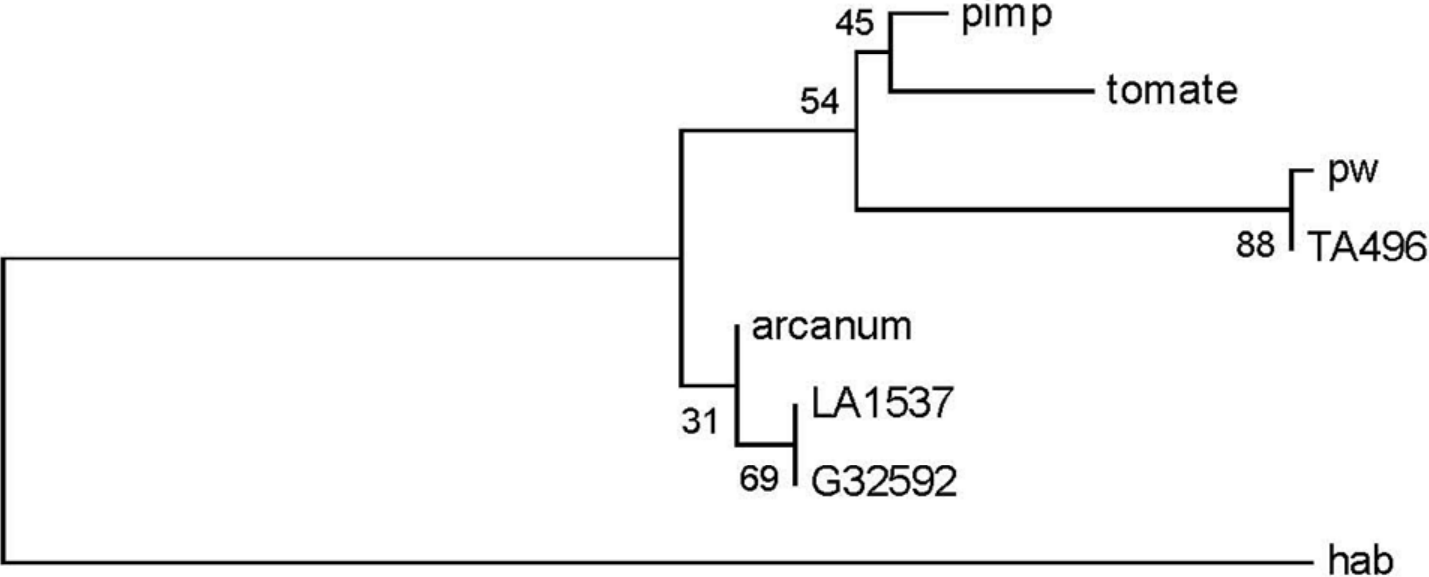


0.005

LeSNP21  
1863\_3

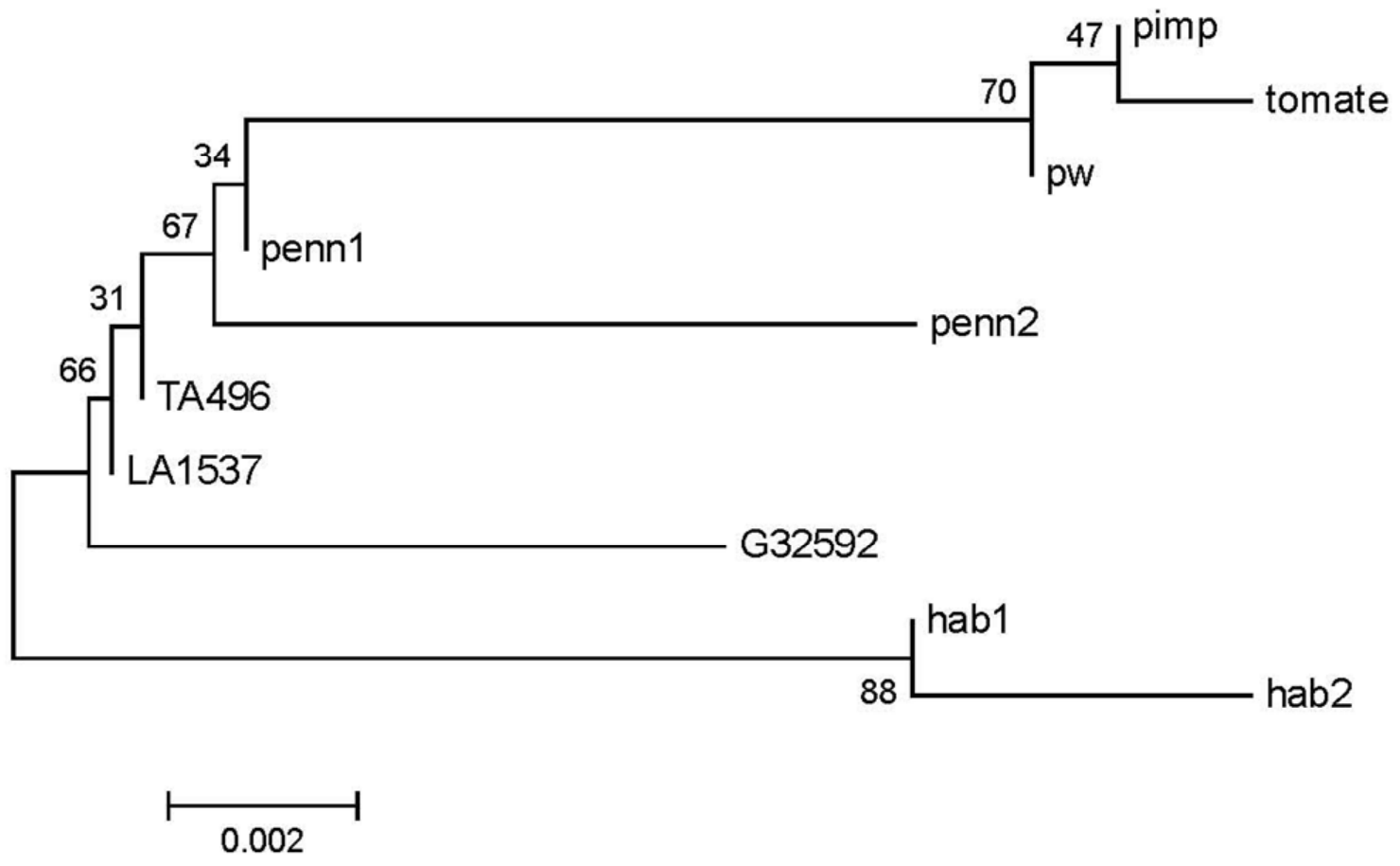


LeSNP24  
2189\_1

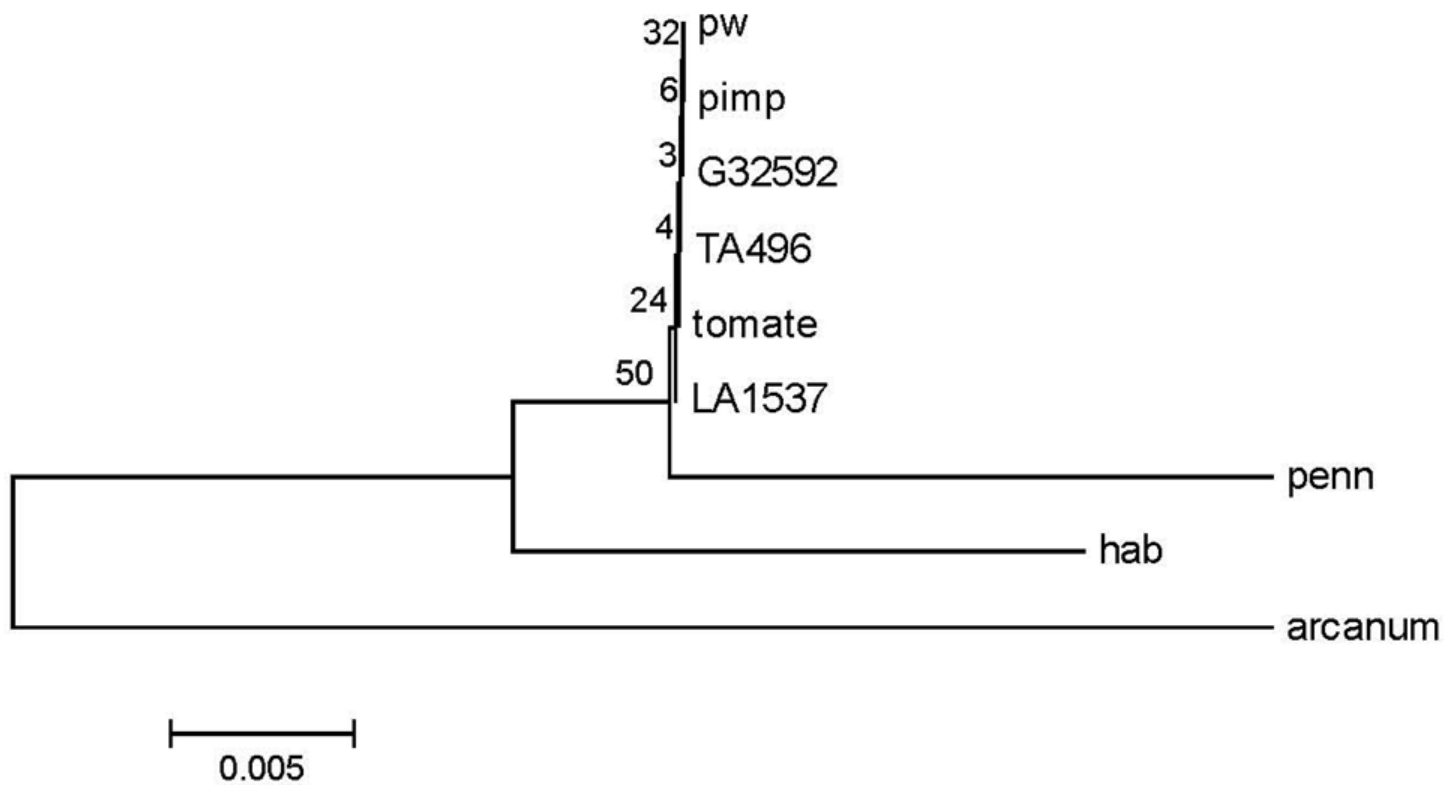


0.005

LeSNP25  
220\_1

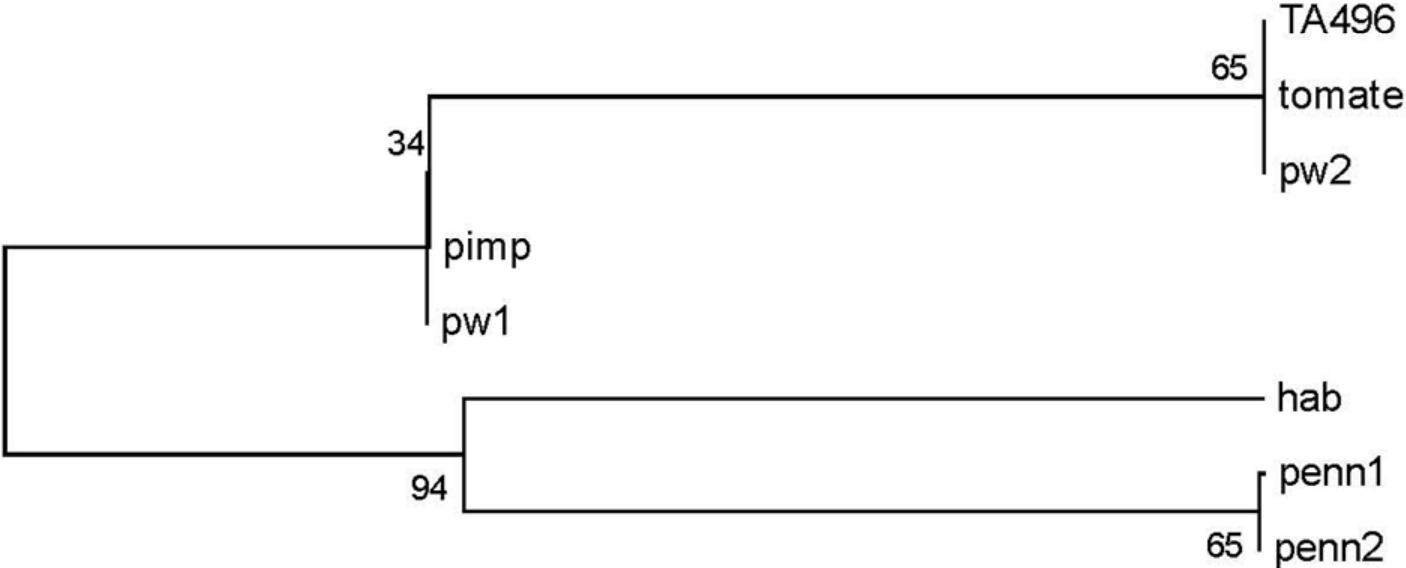


LeSNP27  
2280\_1



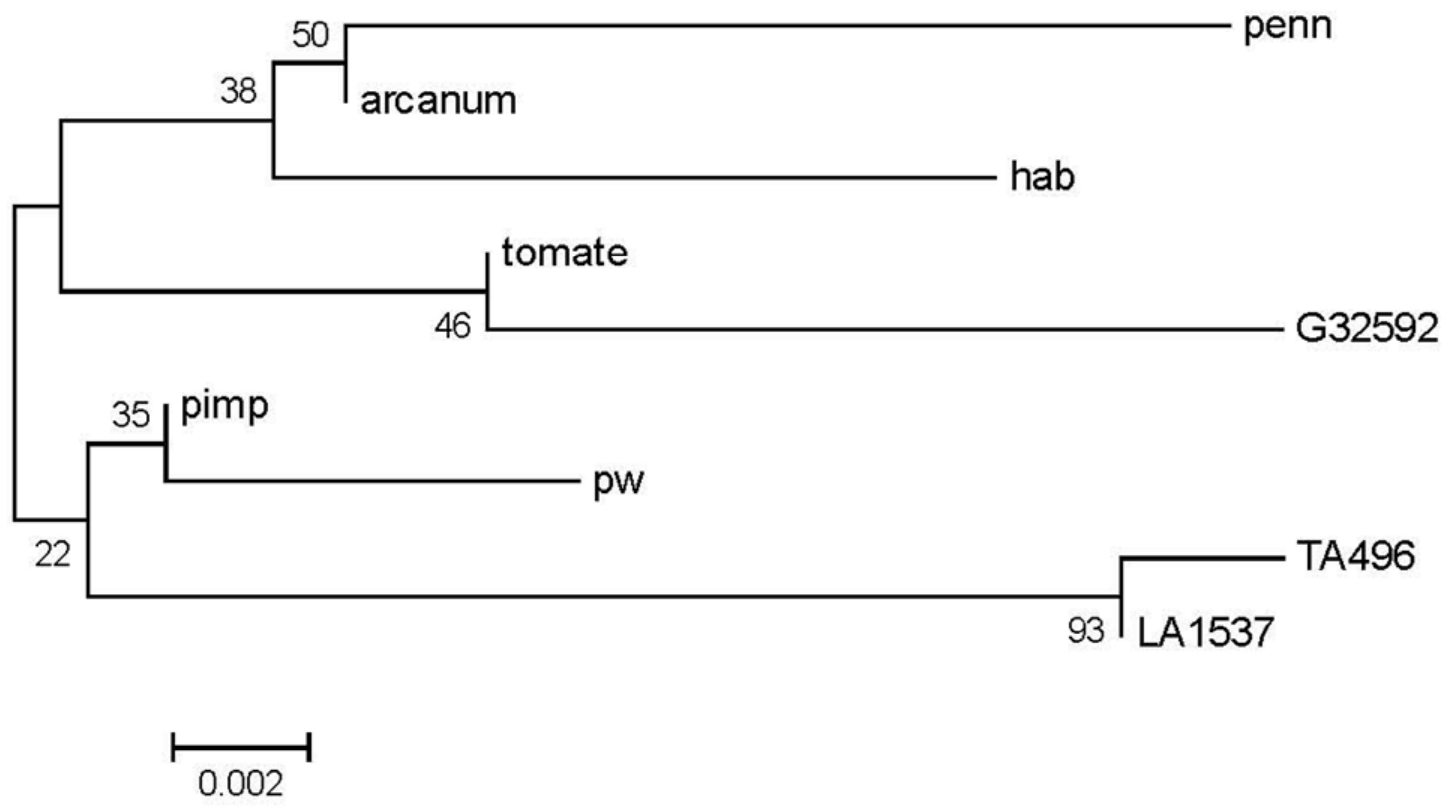


LeSNP28b  
241\_2b

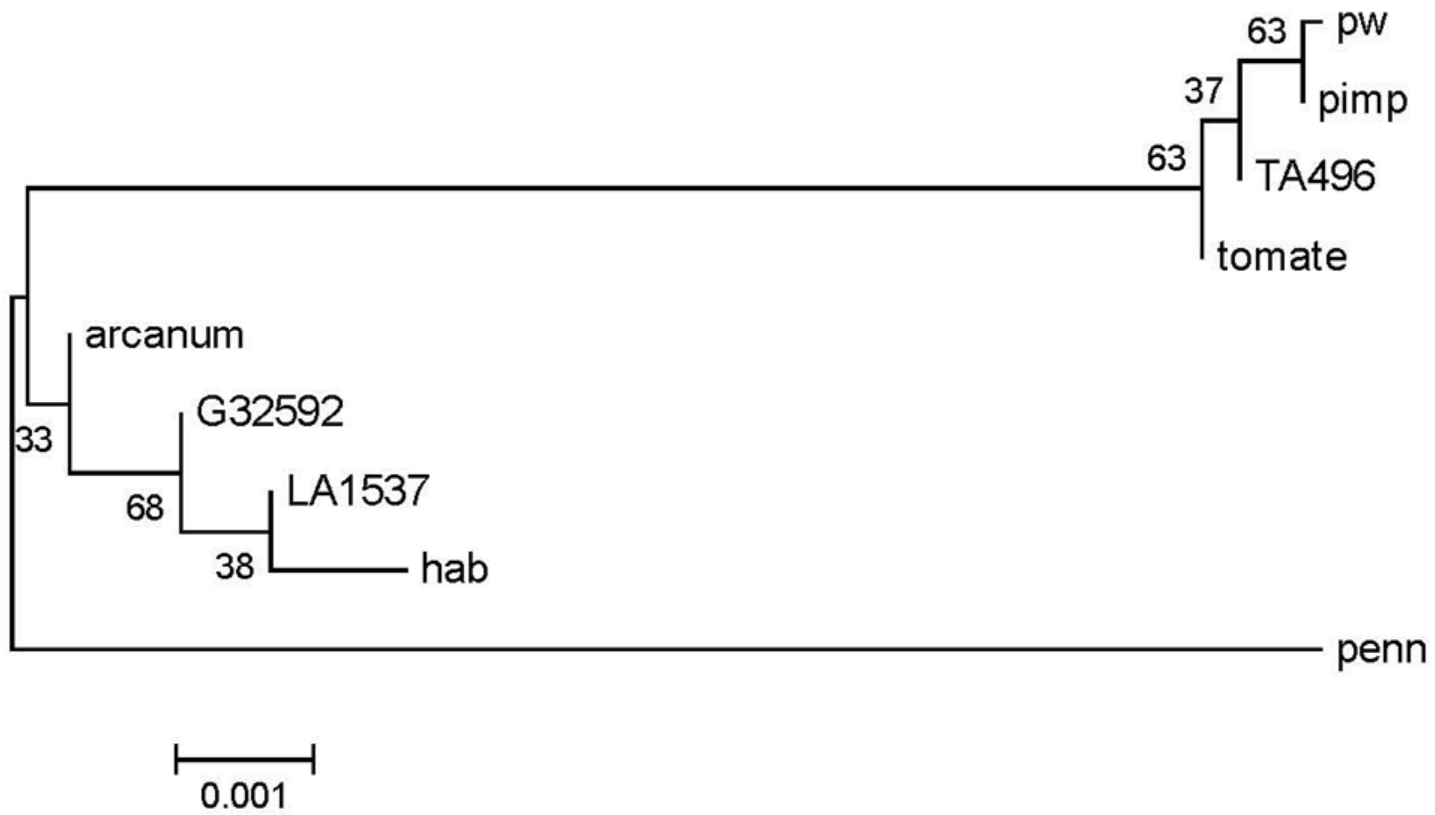


0.001

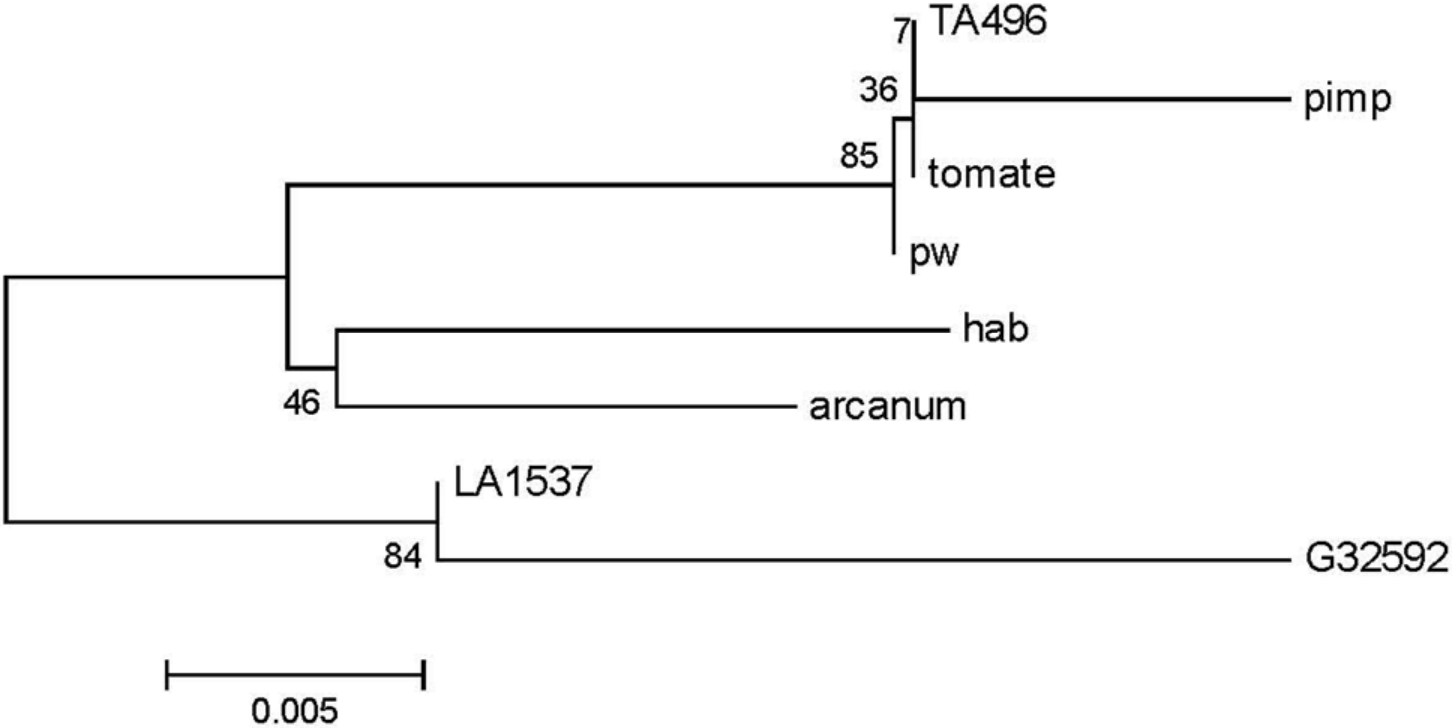
LeSNP30  
2486\_1



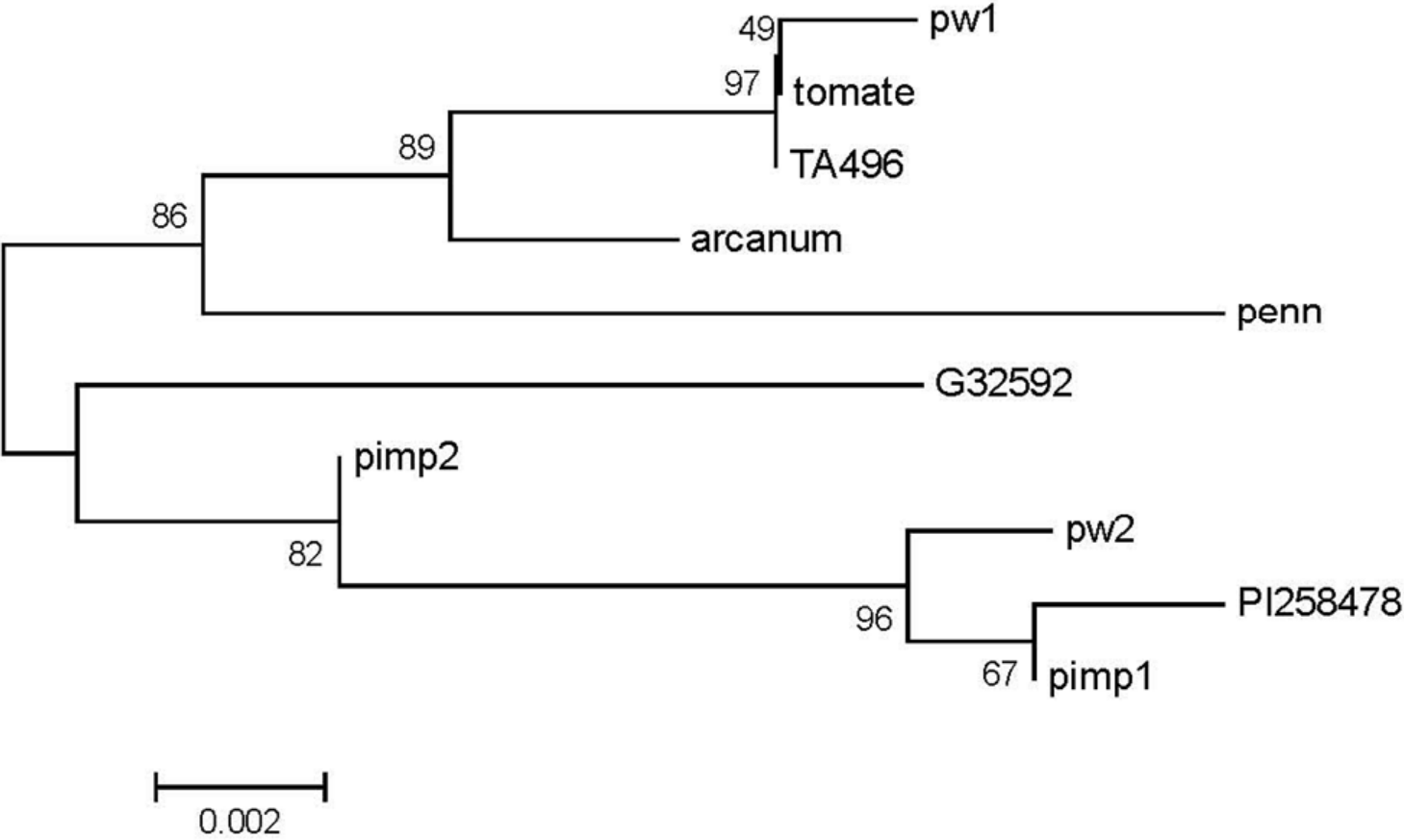
LeSNP32  
2582\_1



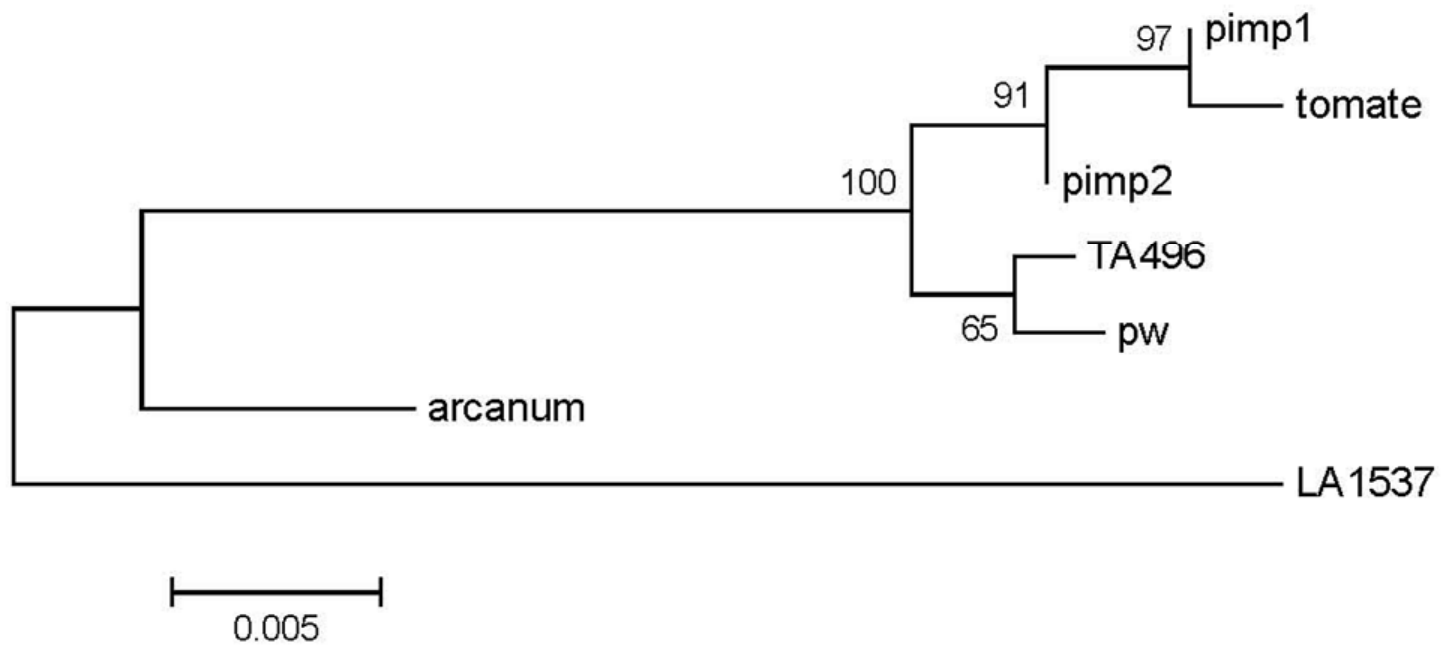
LeSNP33  
2719\_1



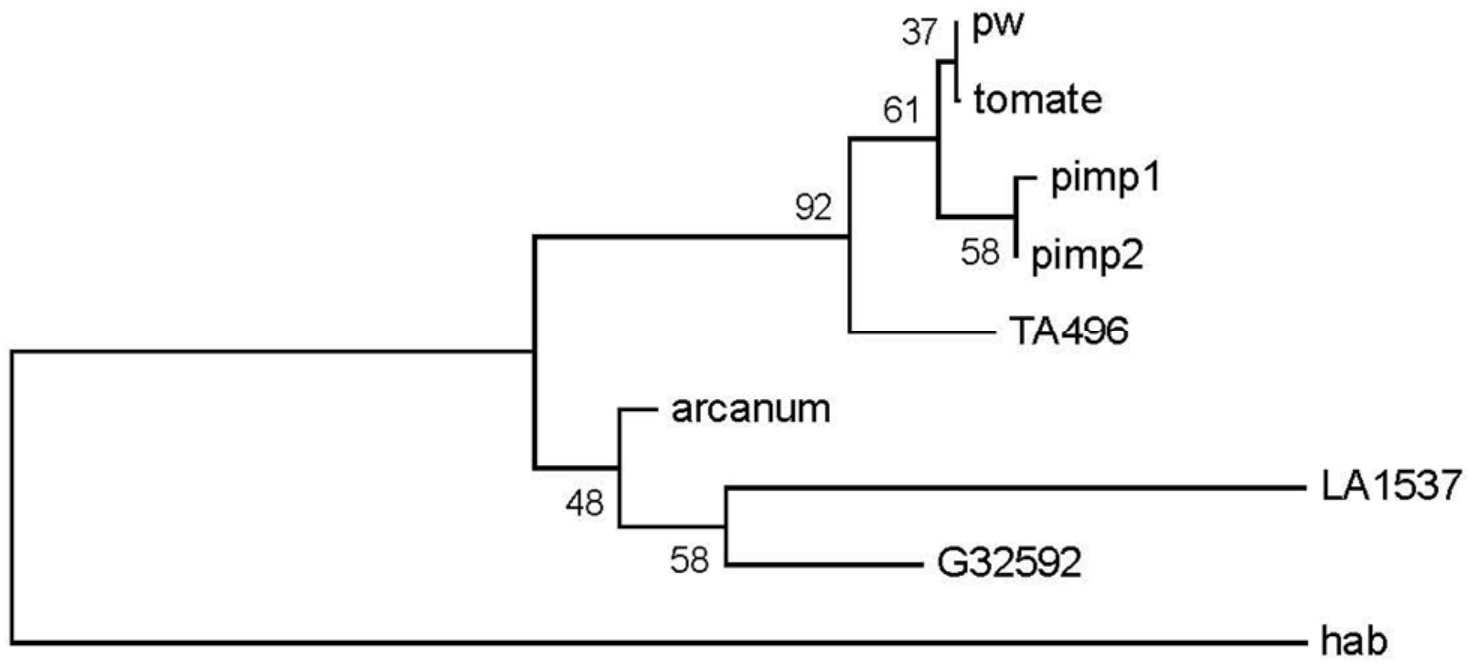
LeSNP34  
2819\_5



LeSNP35b  
2875\_4b

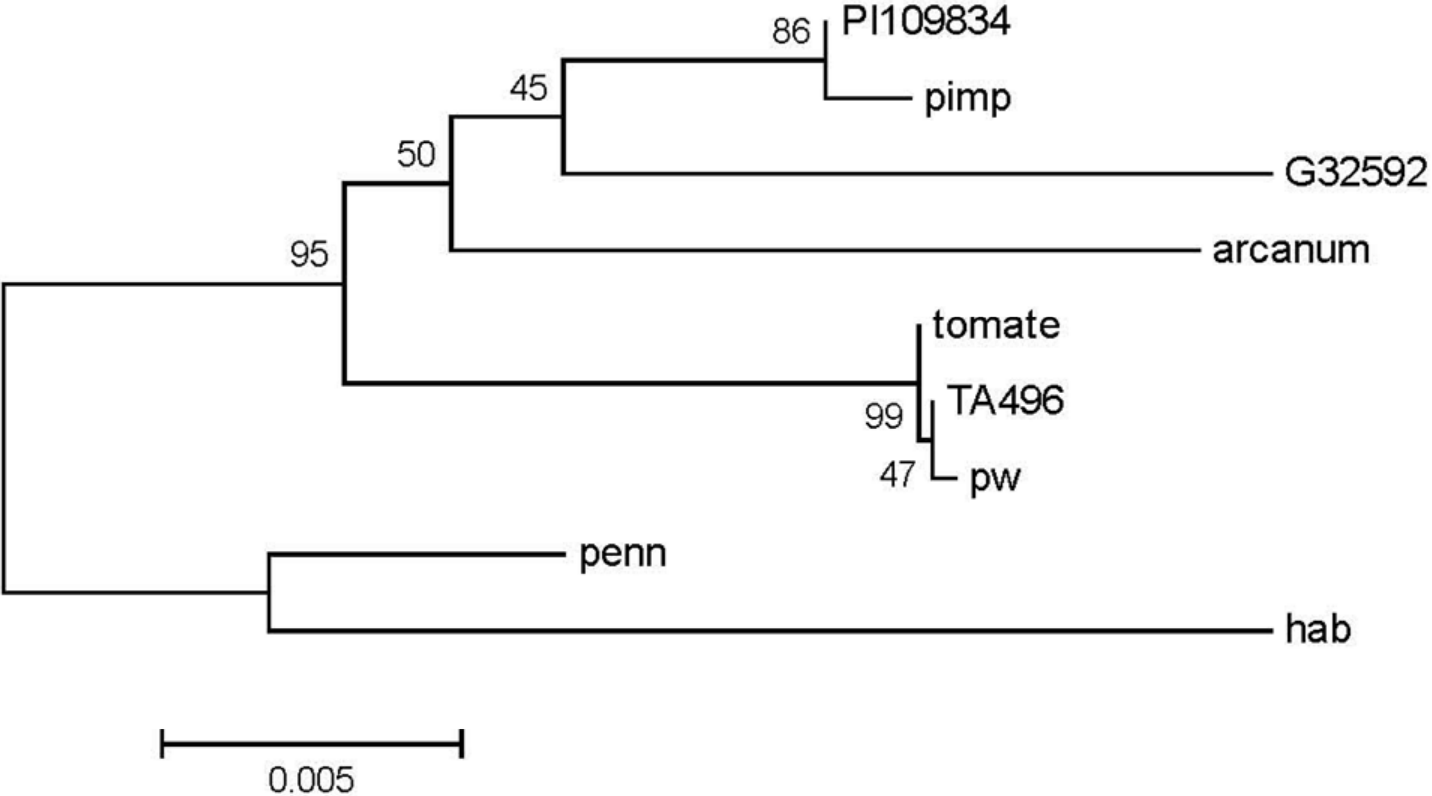


LeSNP40b  
296\_1b



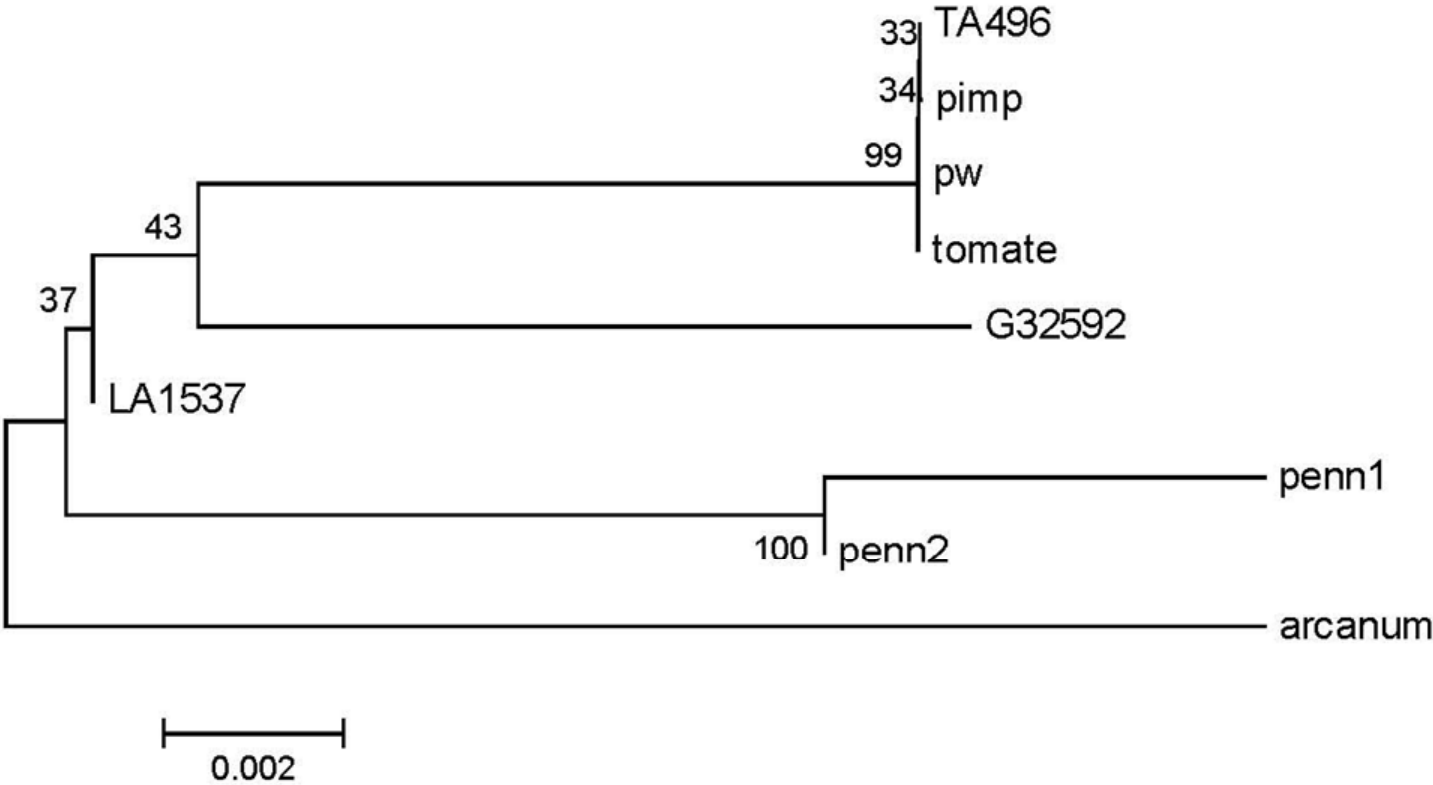
0.005

COS1  
U146140

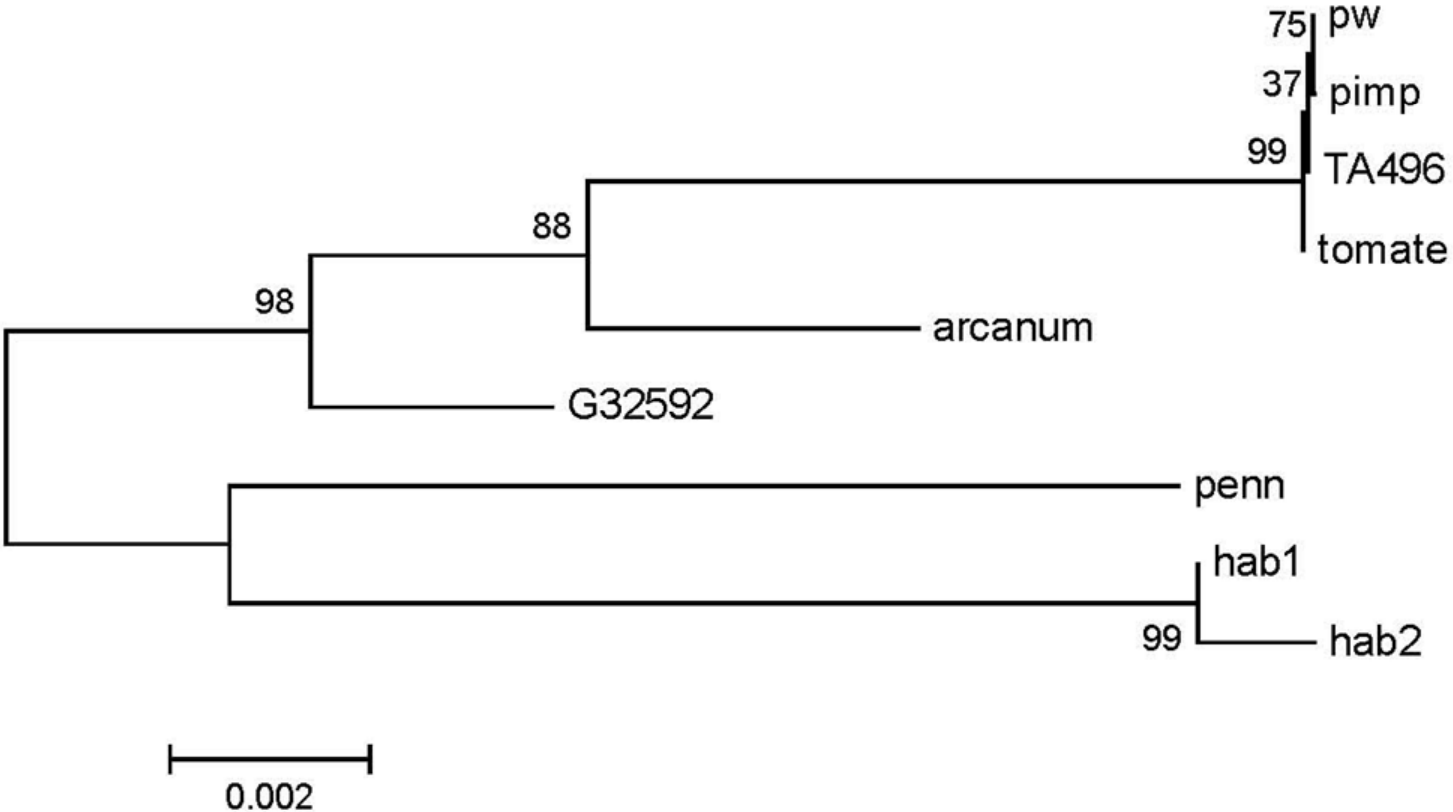




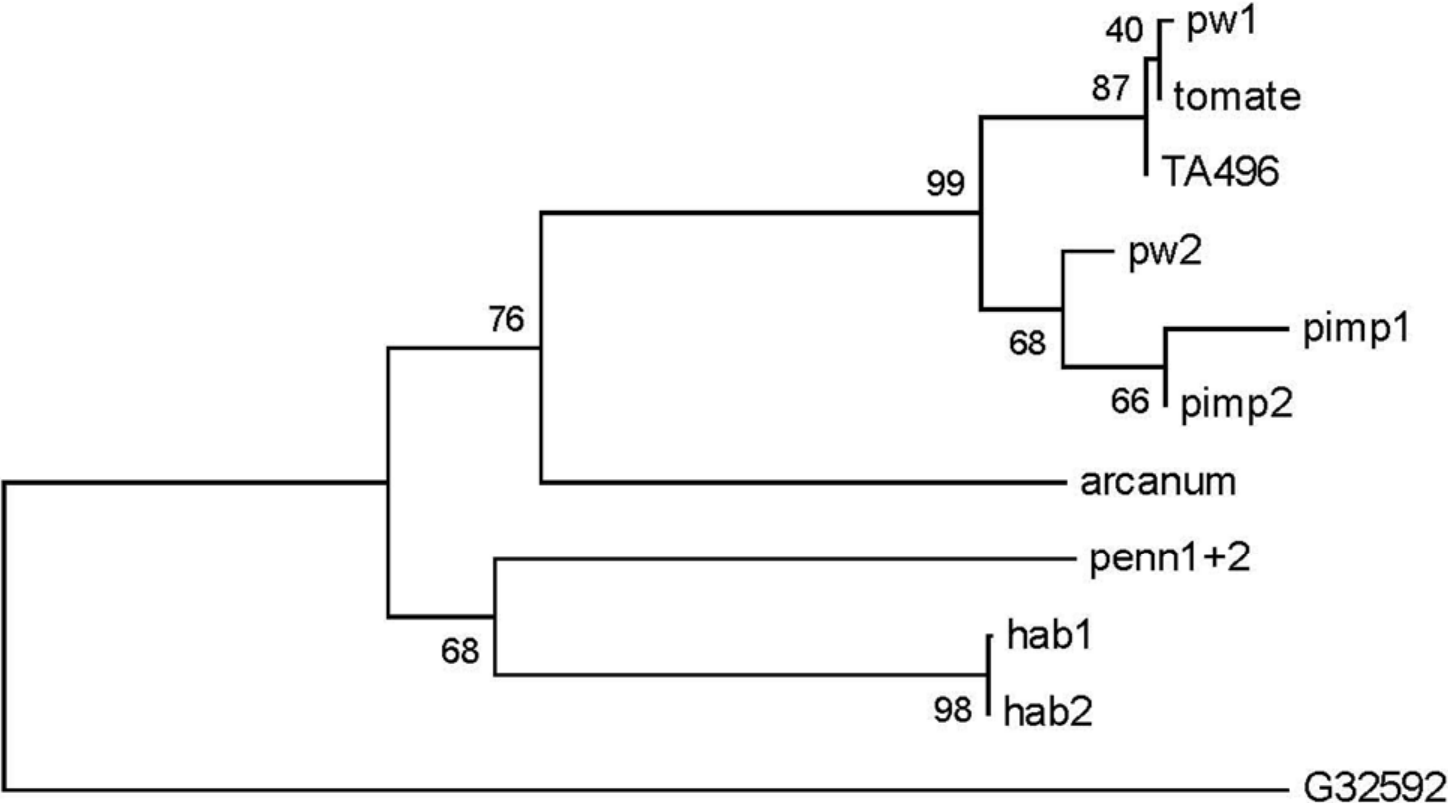
COS2  
C2\_At1g13380



COS3  
C2\_At1g14000

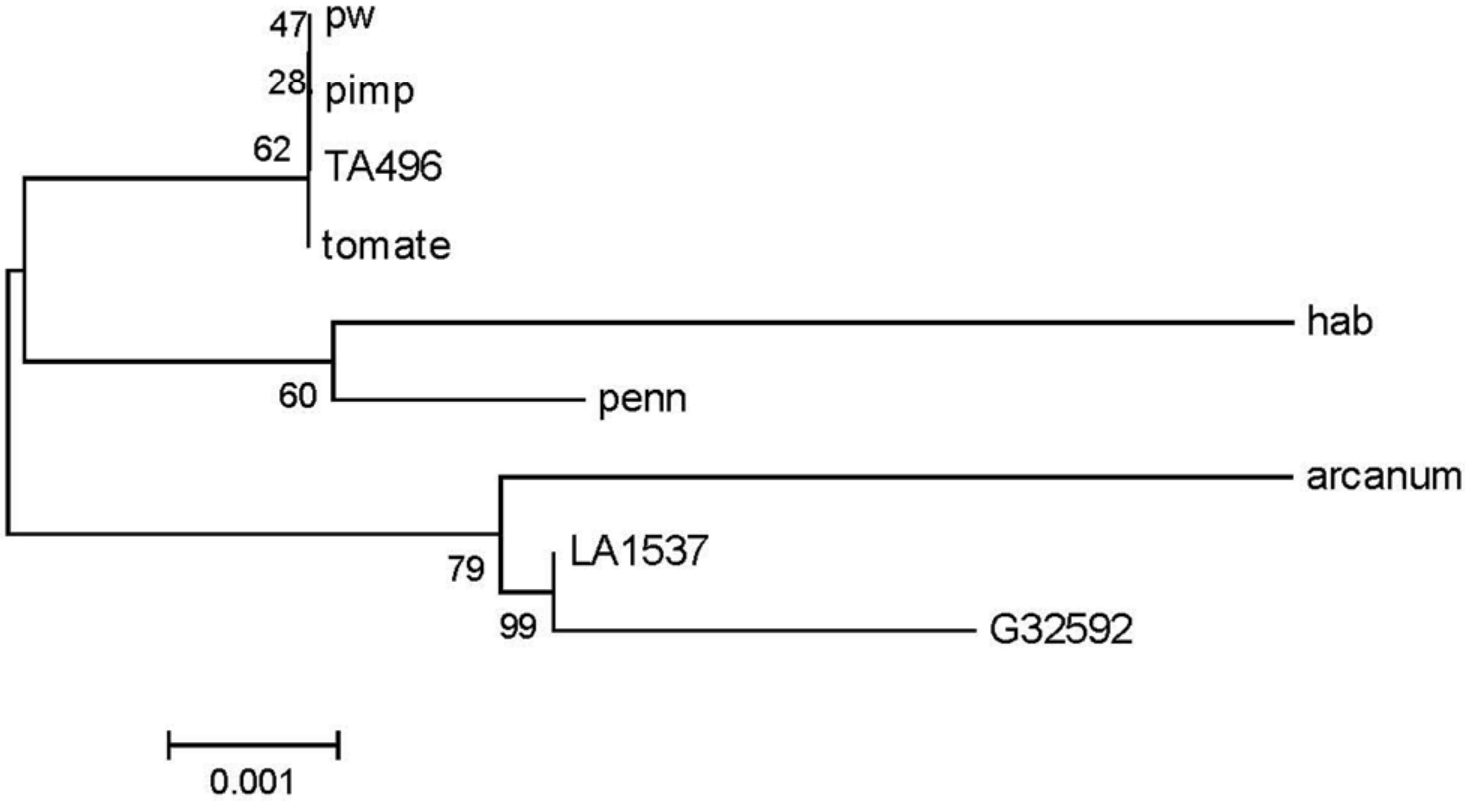


COS4  
C2\_At1g20050

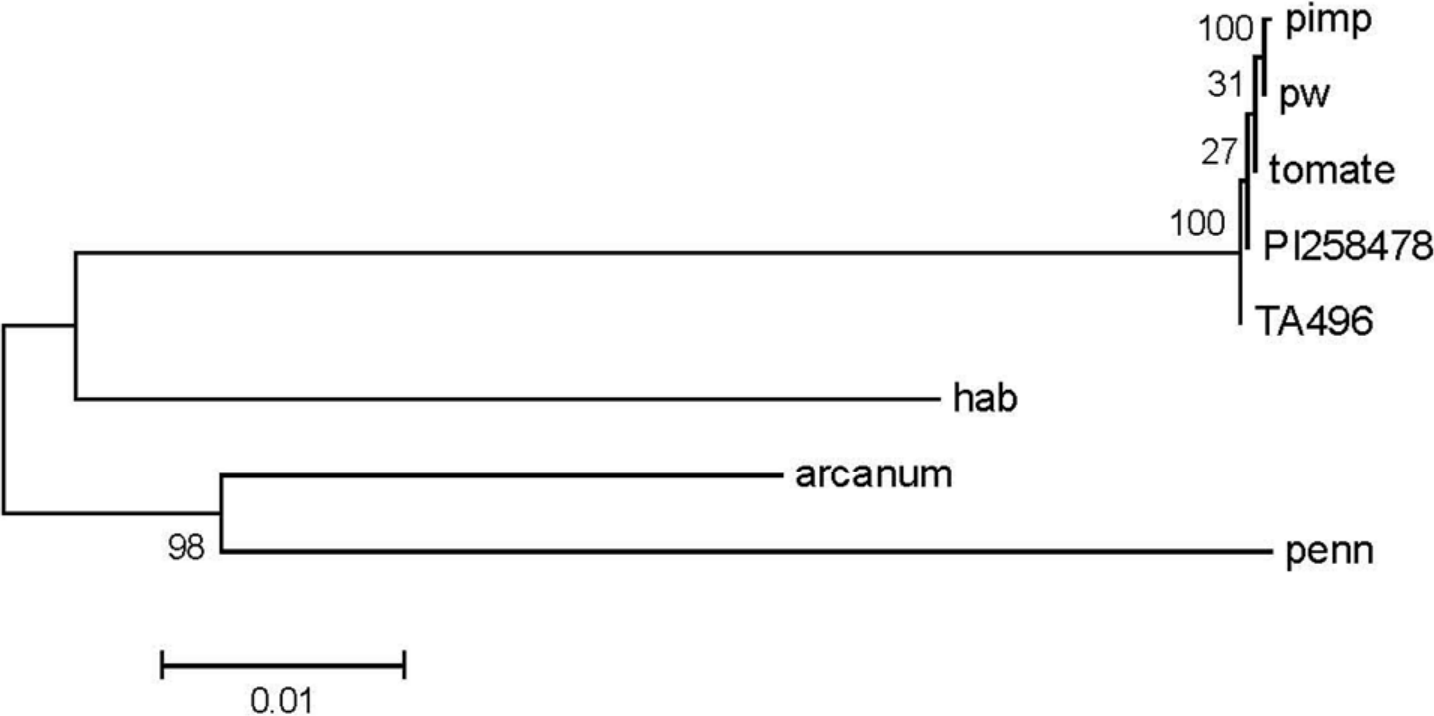


0.002

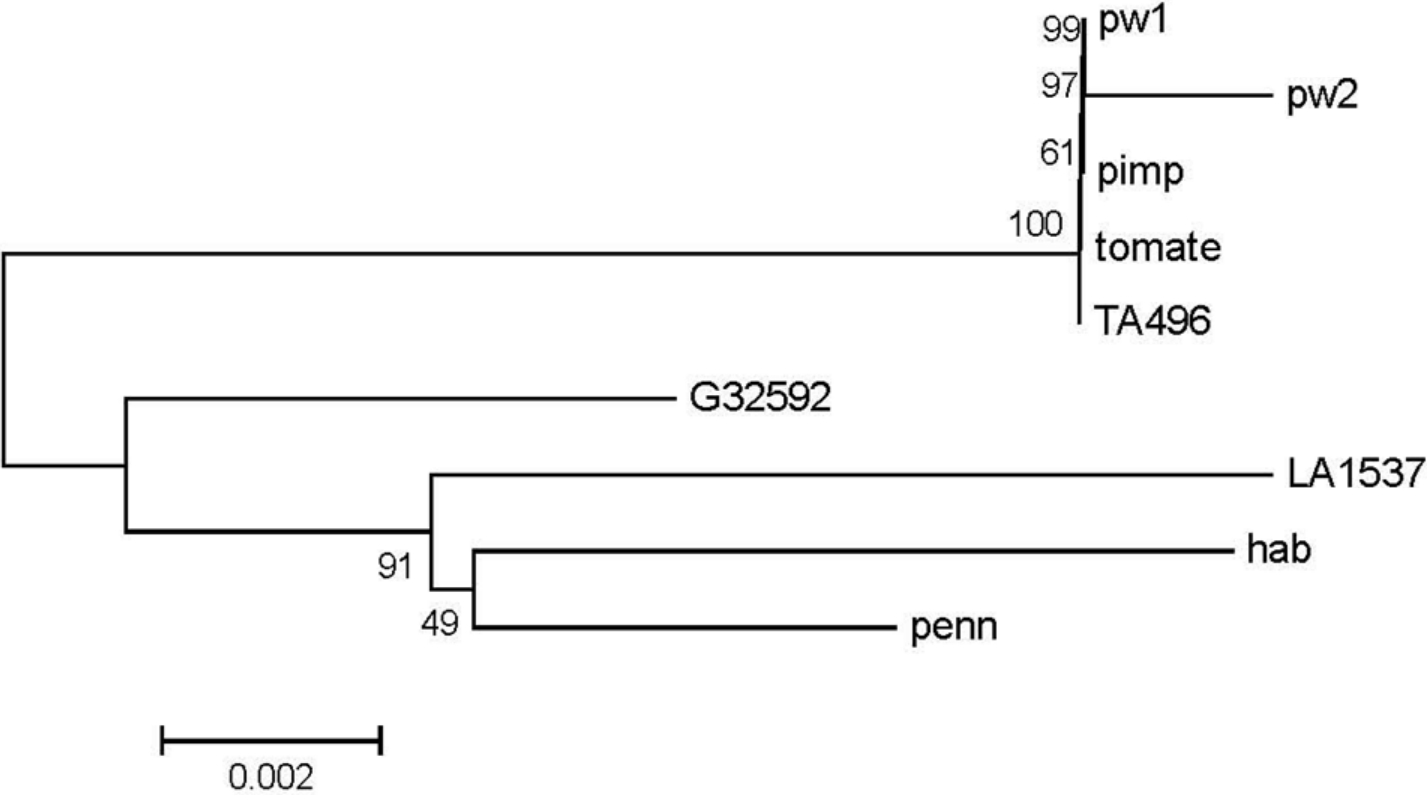
COS5  
C2\_At1g32130



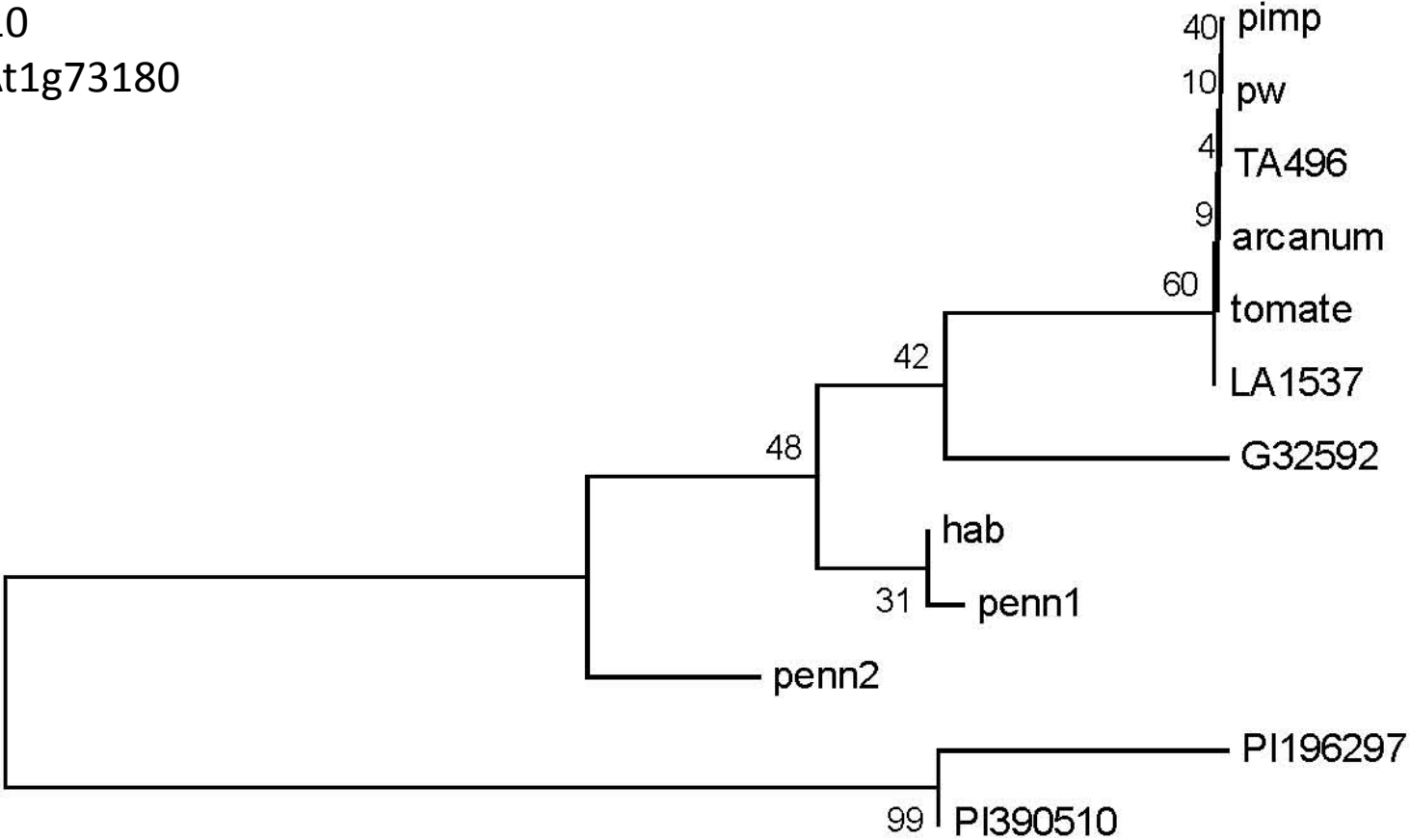
COS7  
C2\_At1g44575



COS9  
C2\_At1g50020



COS10  
C2\_At1g73180



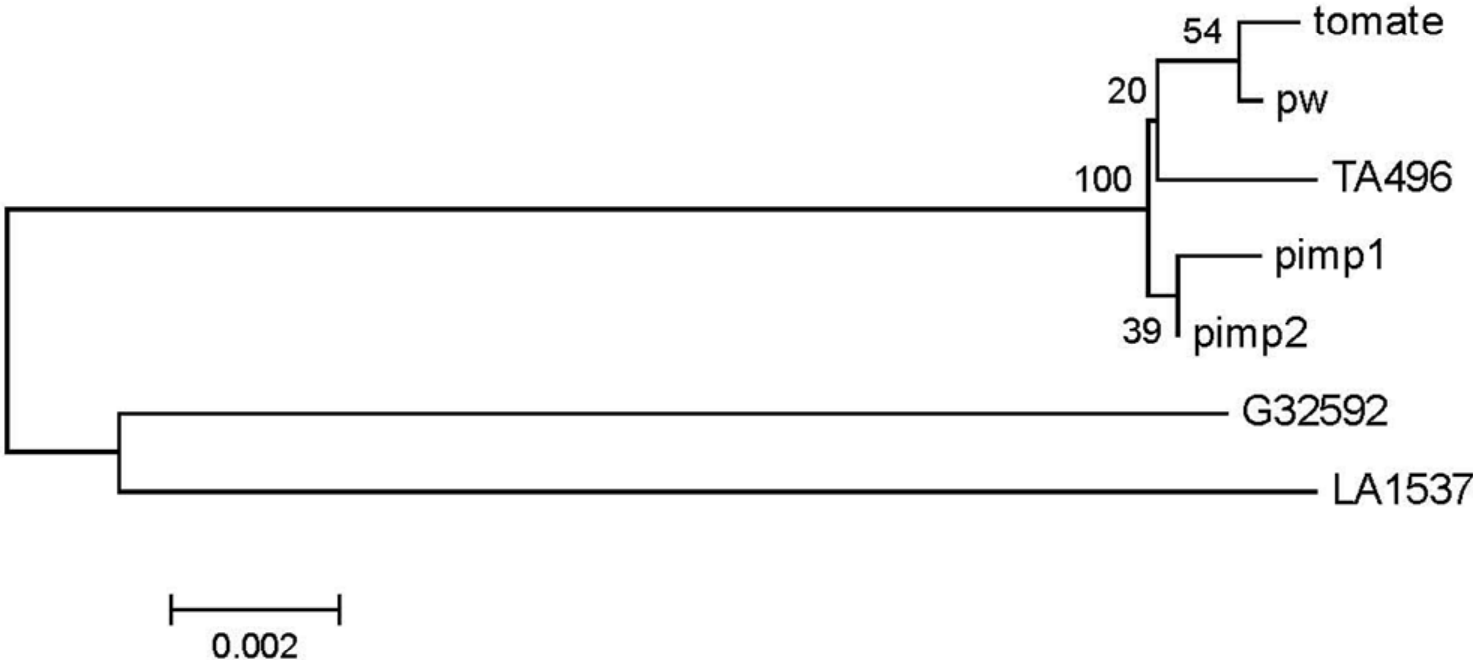
0.005

COS11  
C2\_At2g15890

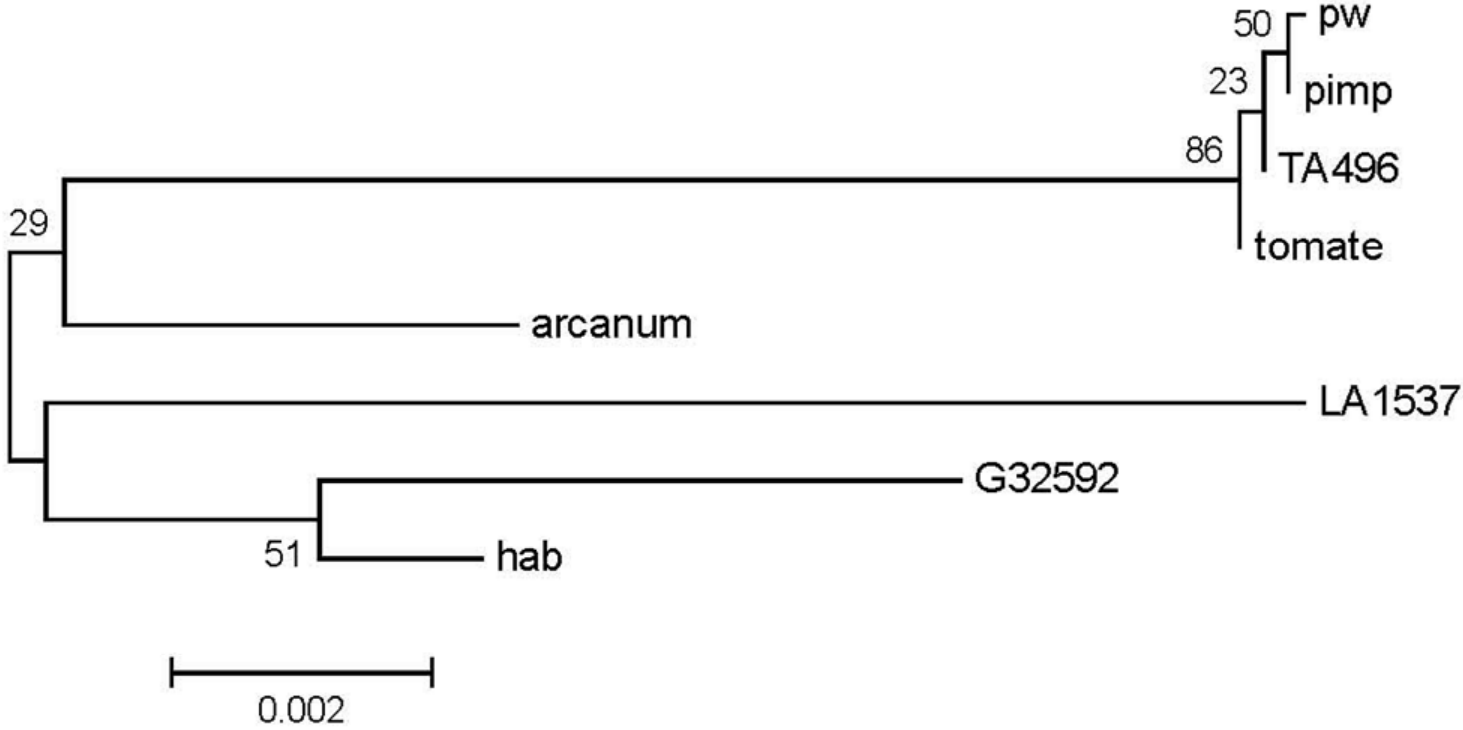




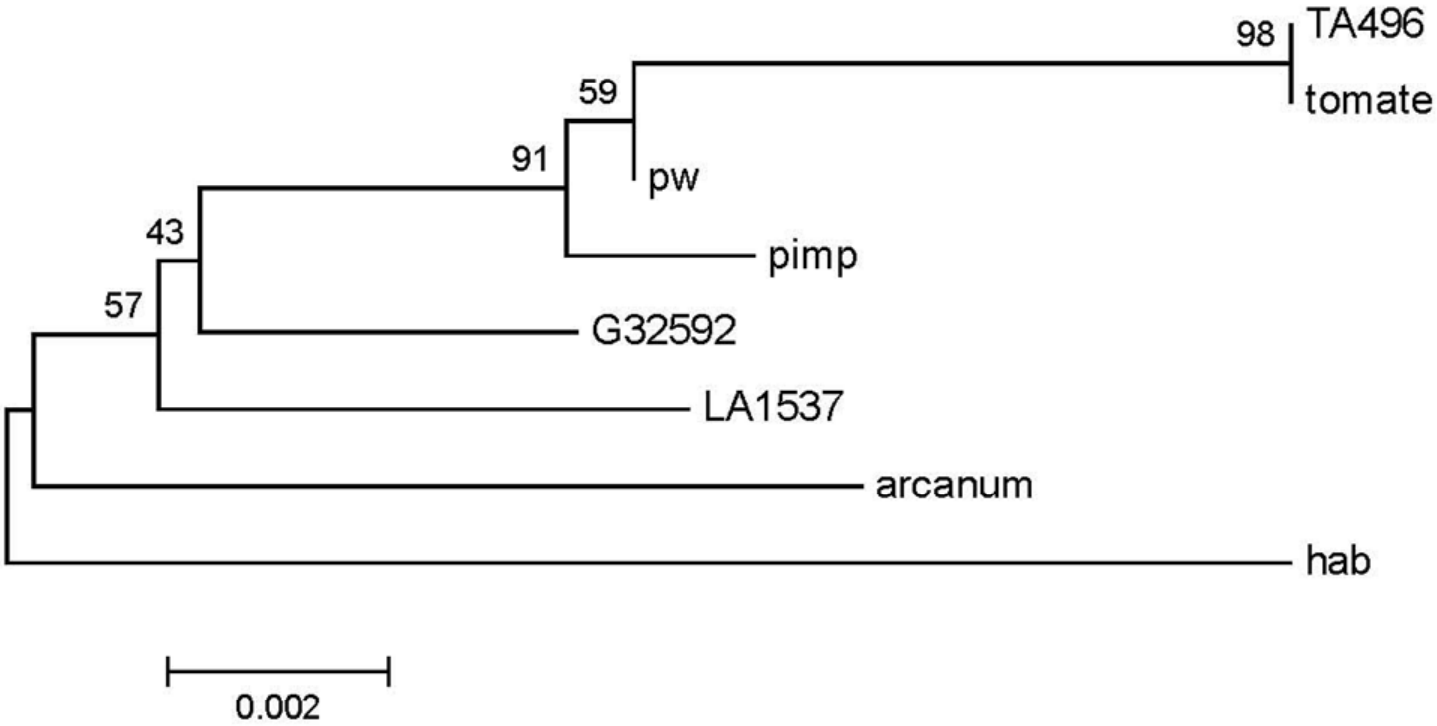
COS12  
C2\_At2g22570



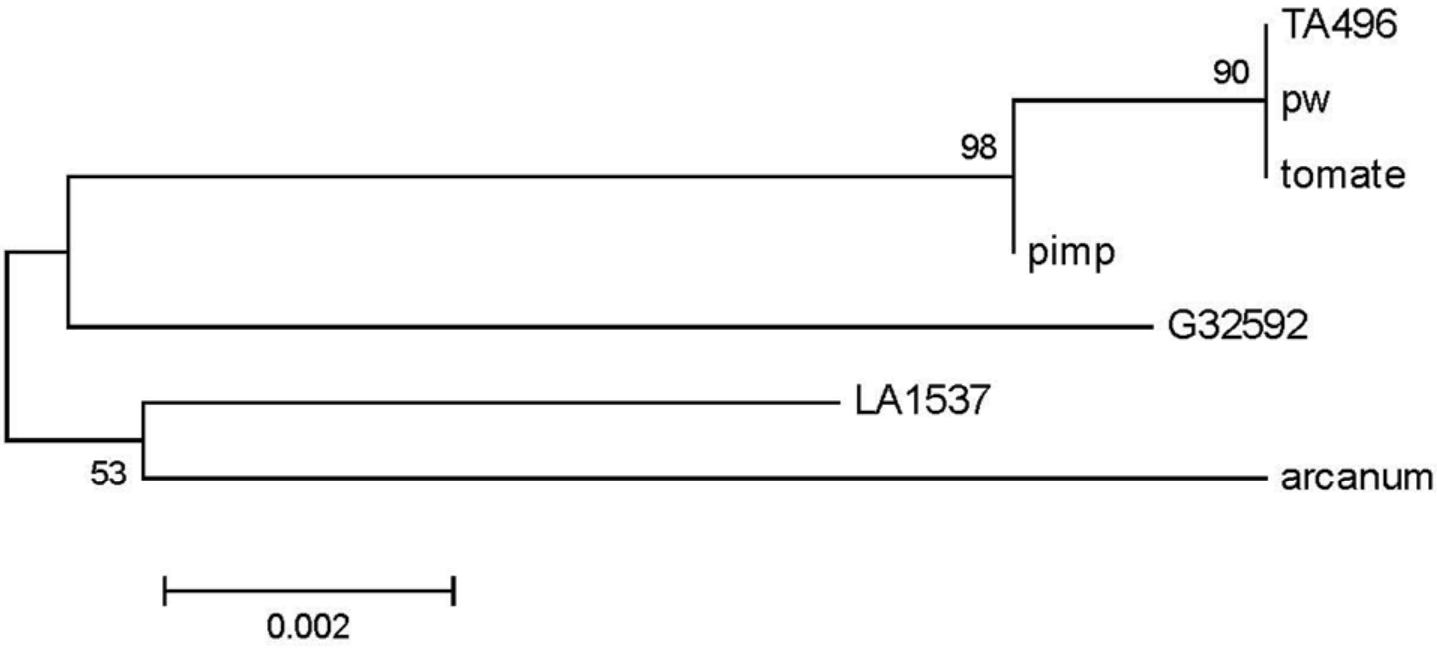
COS13  
C2\_At2g36930



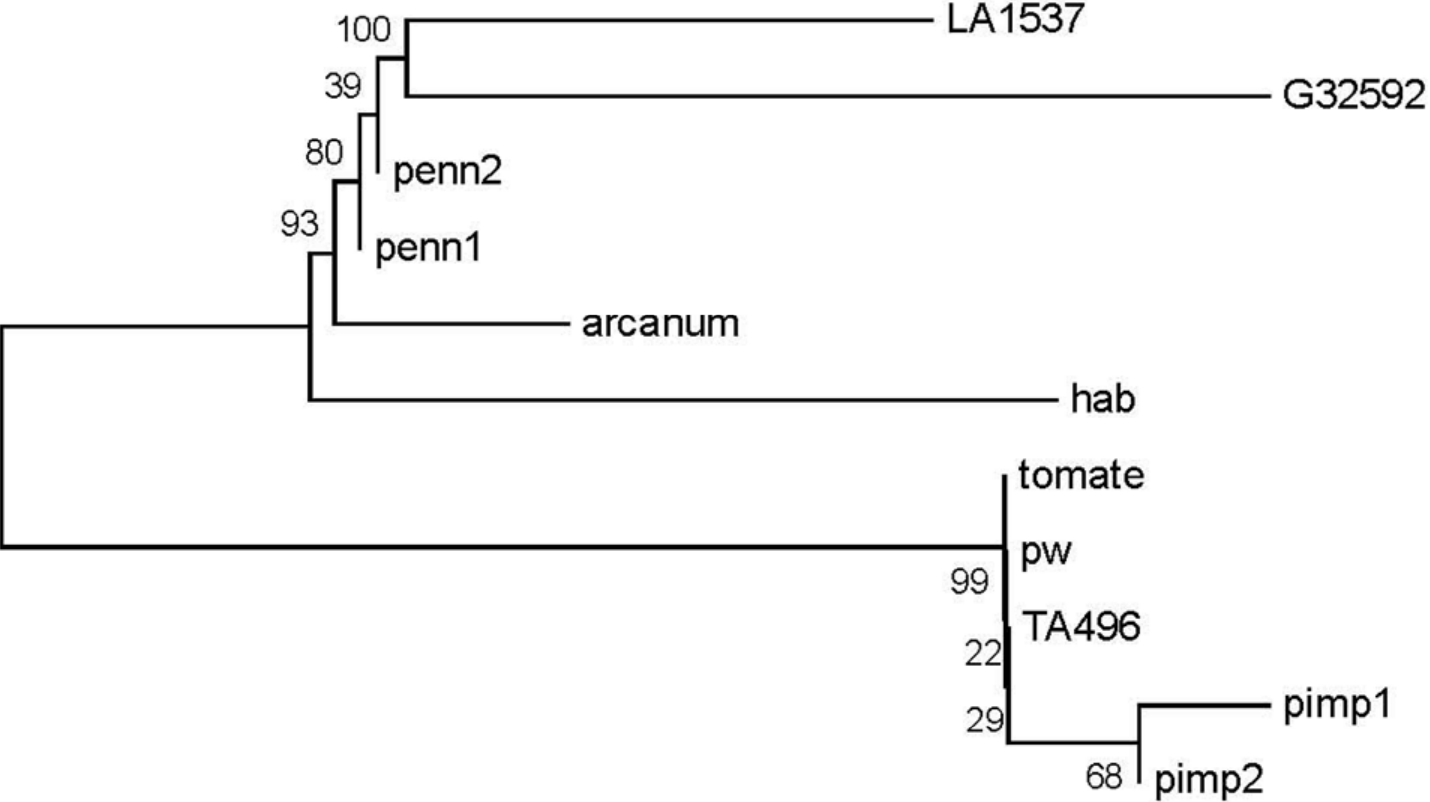
COS15  
U221402



COS16  
U318882

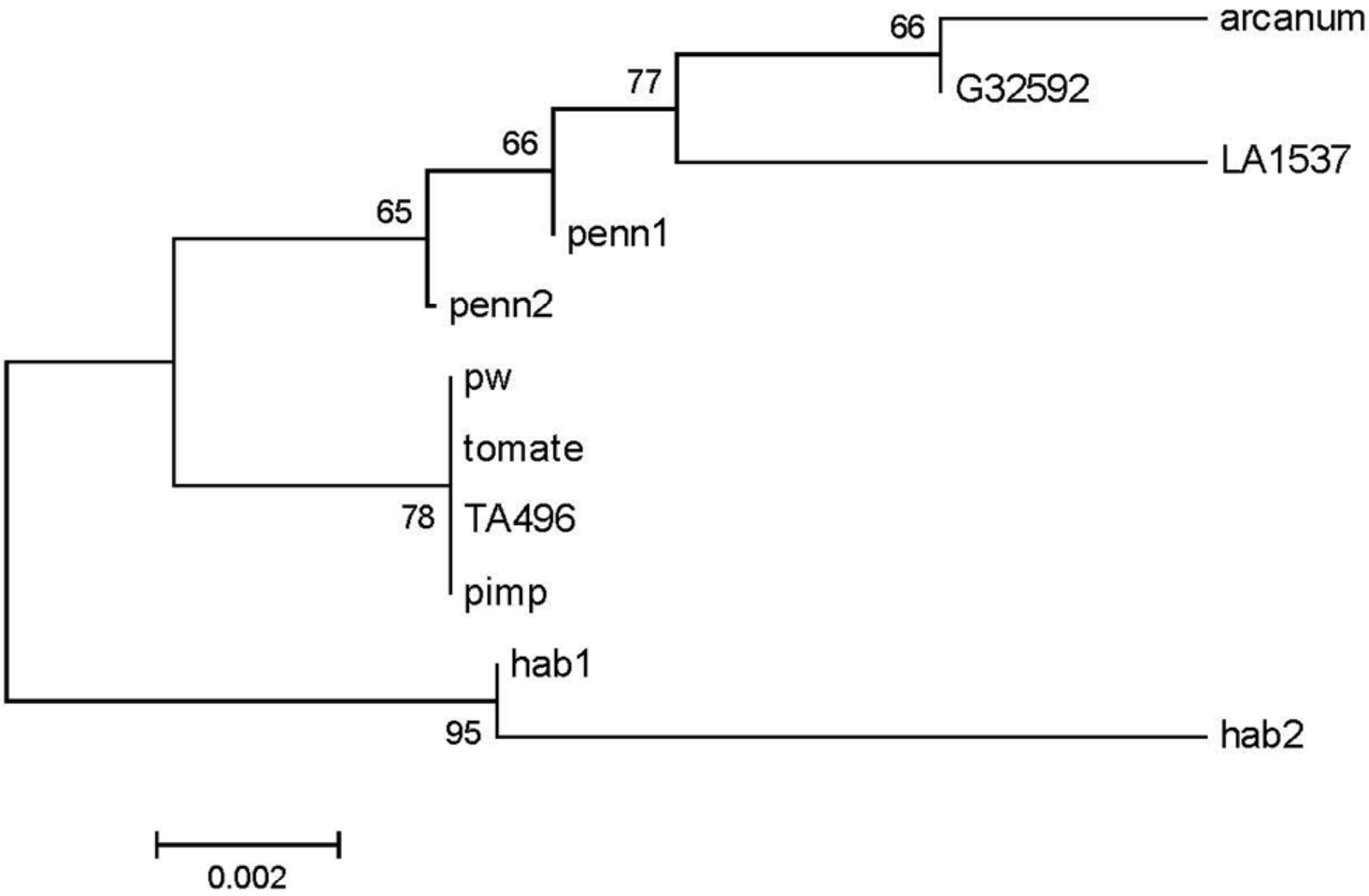


COS18  
U146437

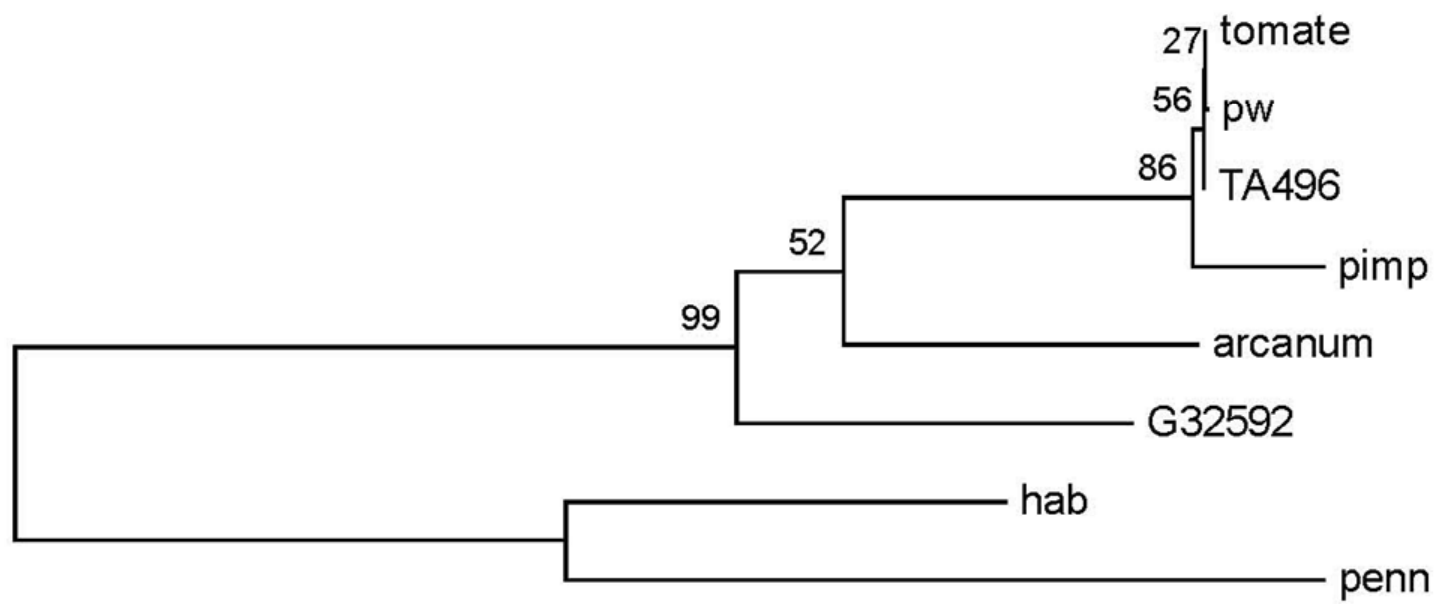


0.002

*hp2* exon 2

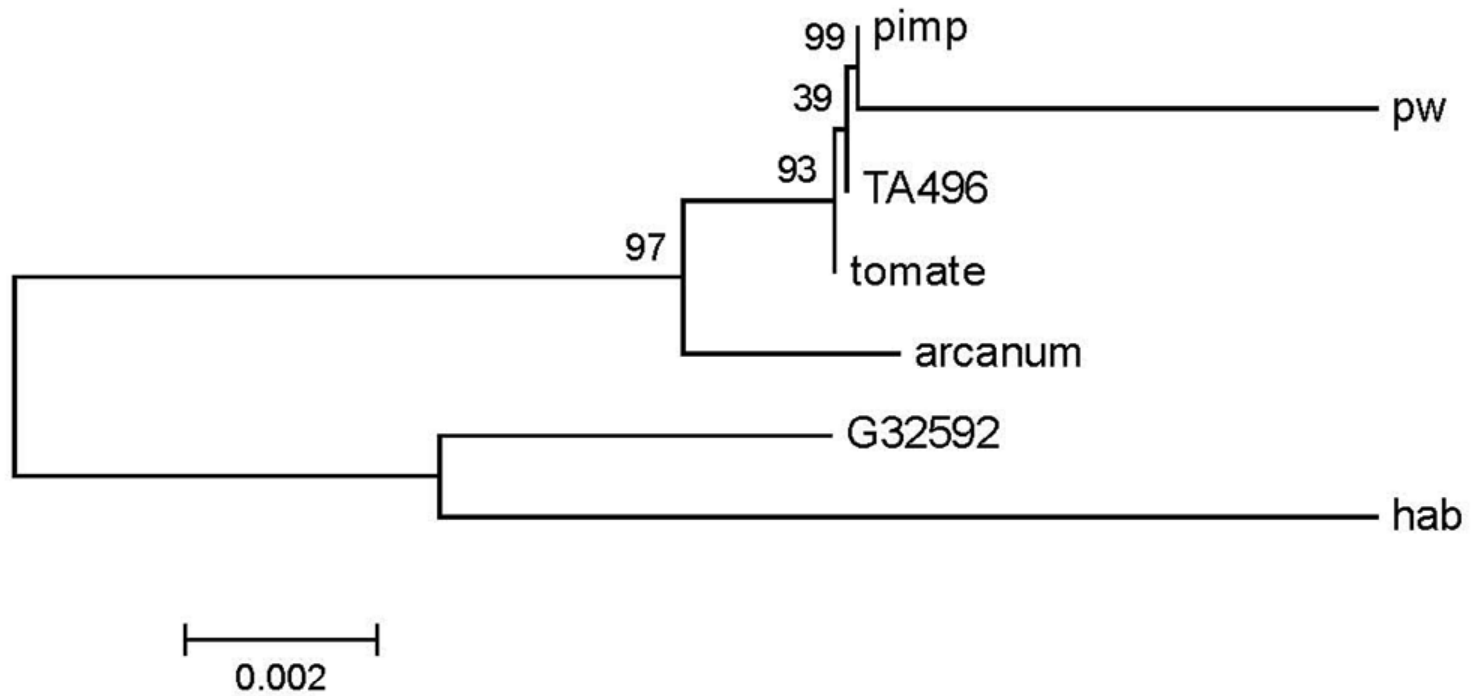


*Pds*



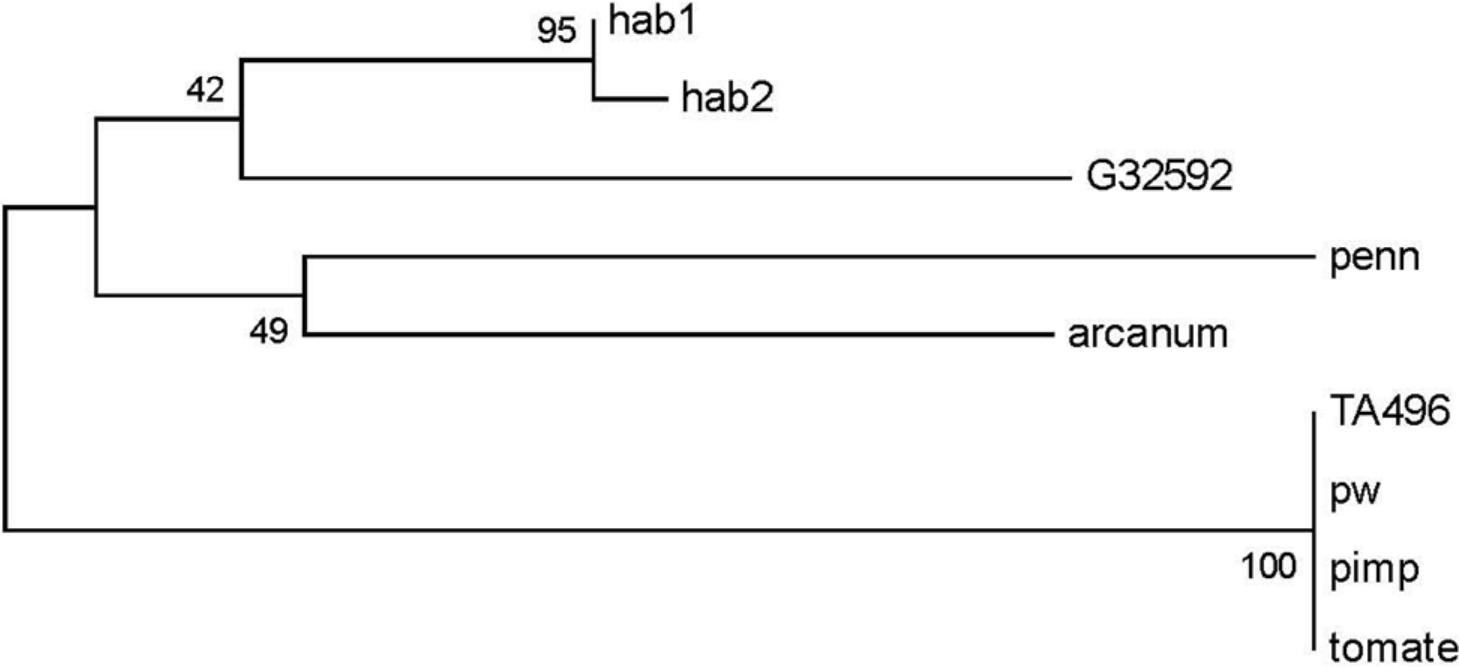
0.002

*Psy1*



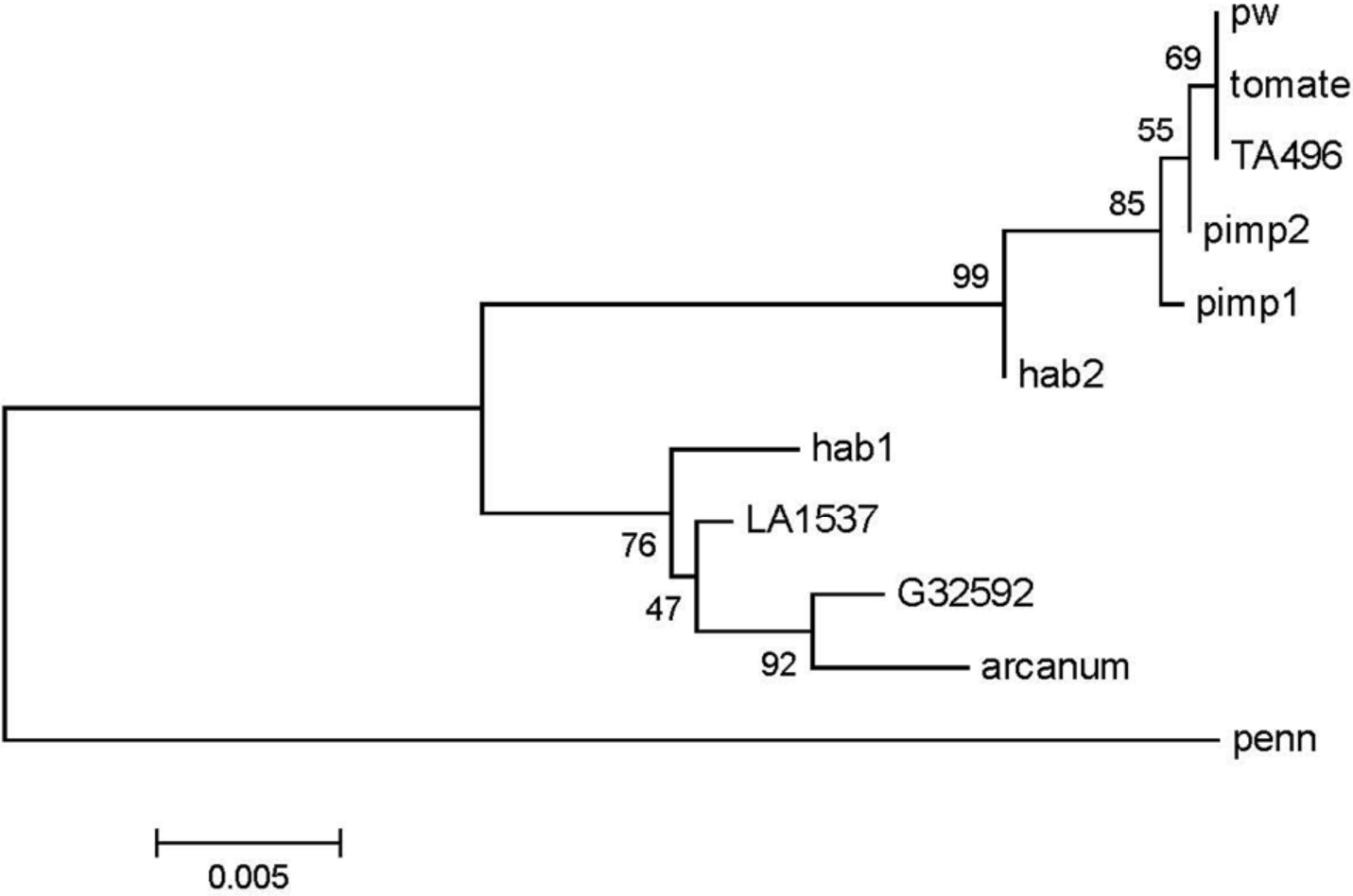


*Cyc-B* 5' region

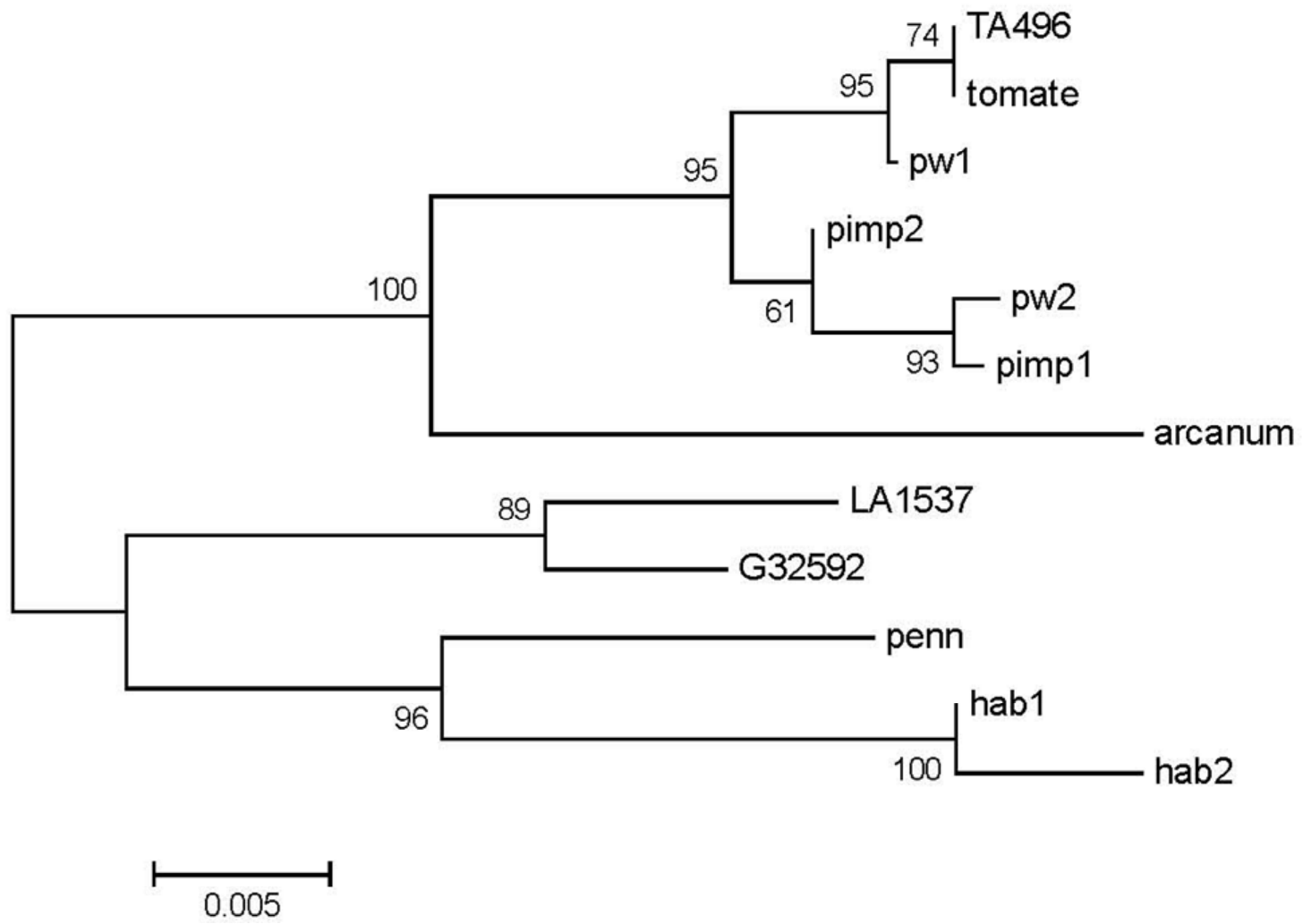


0.005

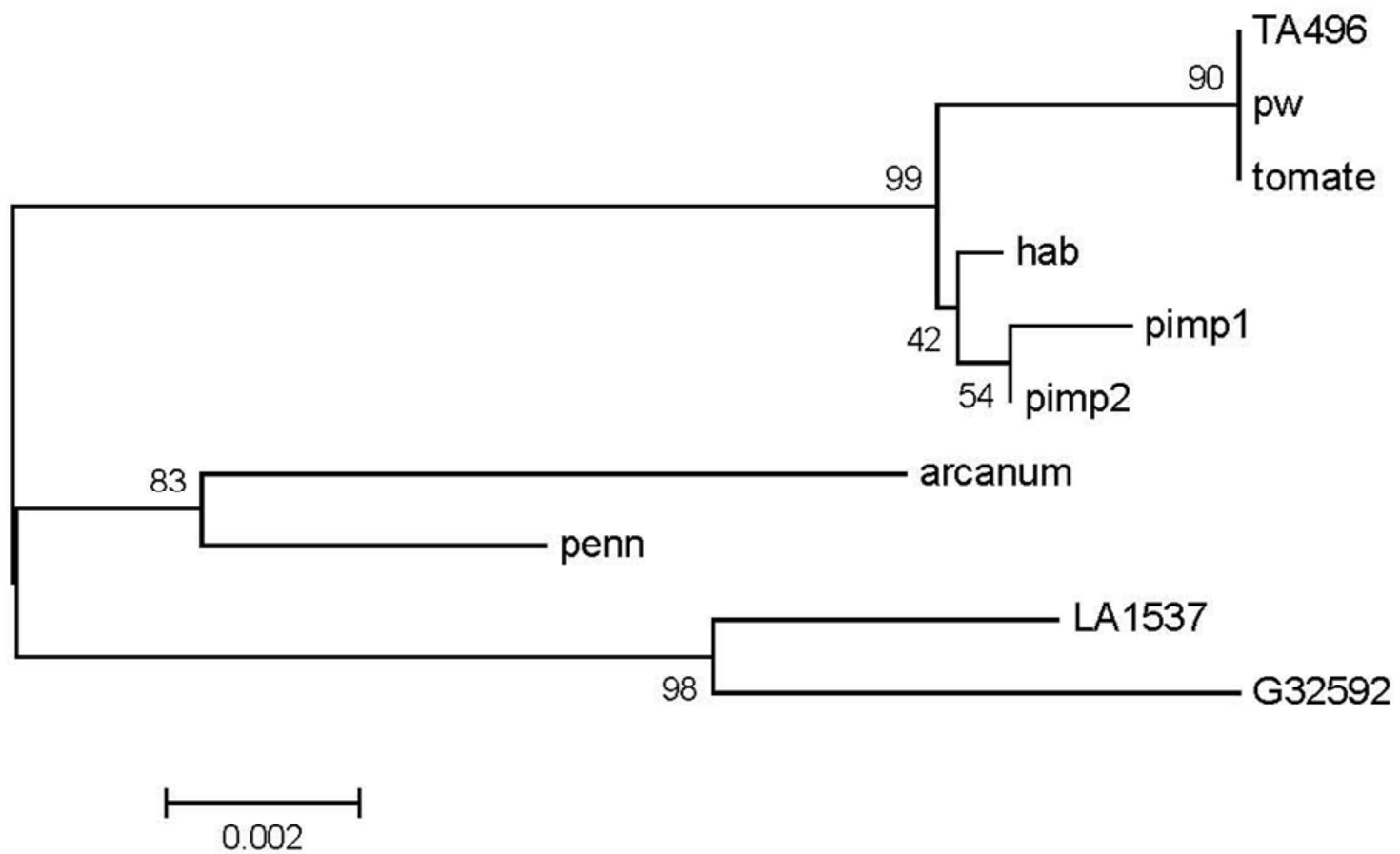
*hp2* 3' region



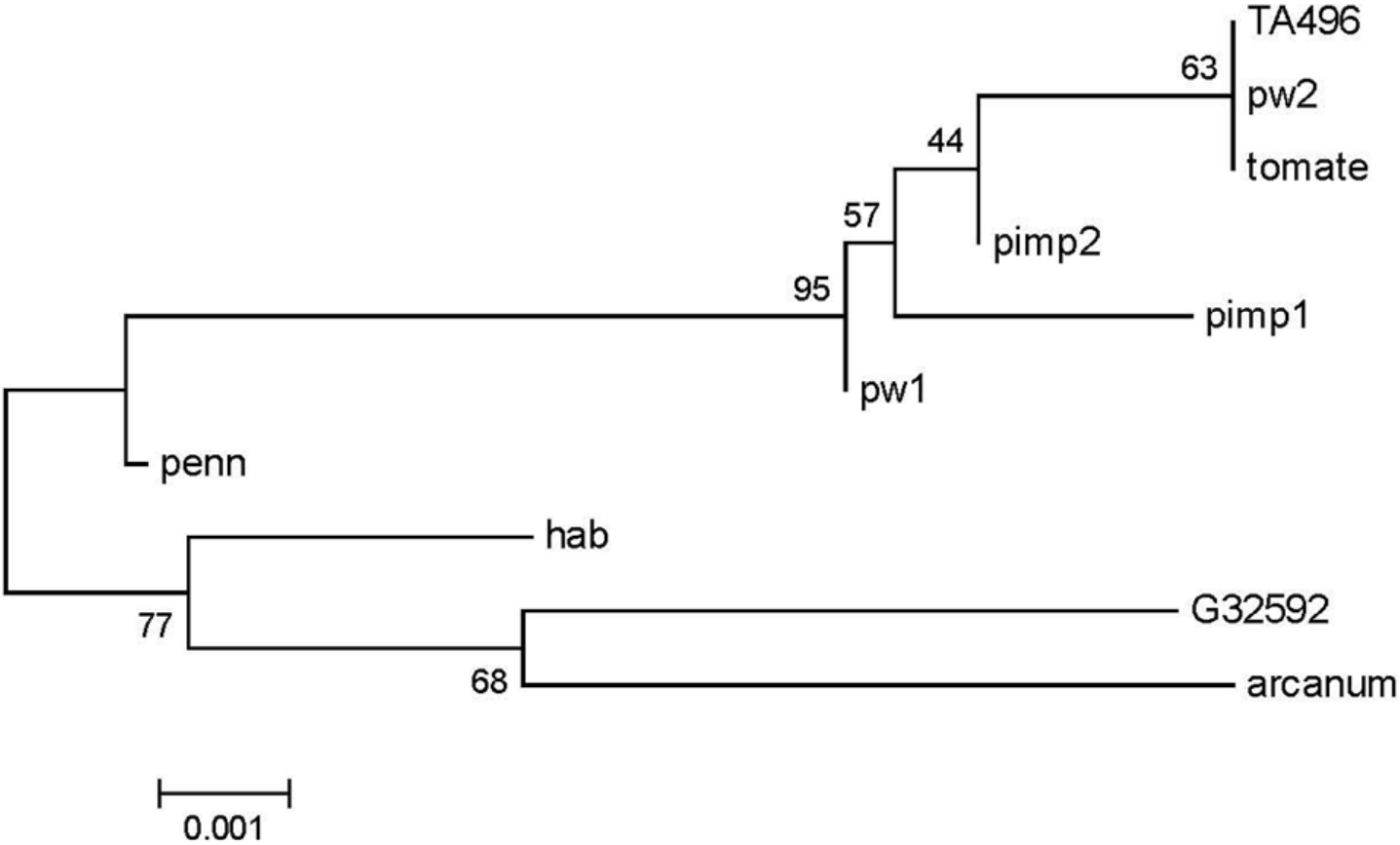
*fw 2.2*



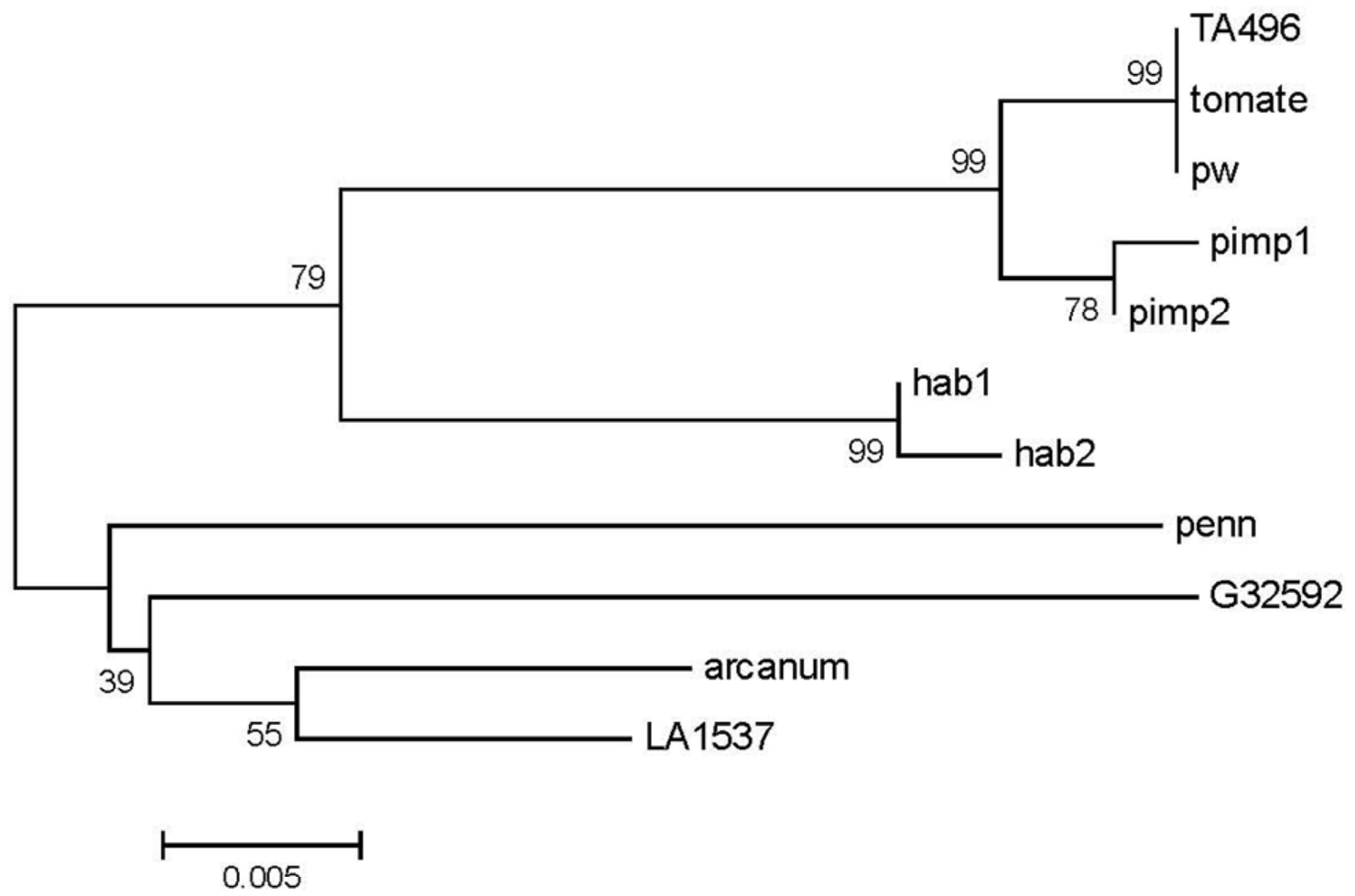
TG11



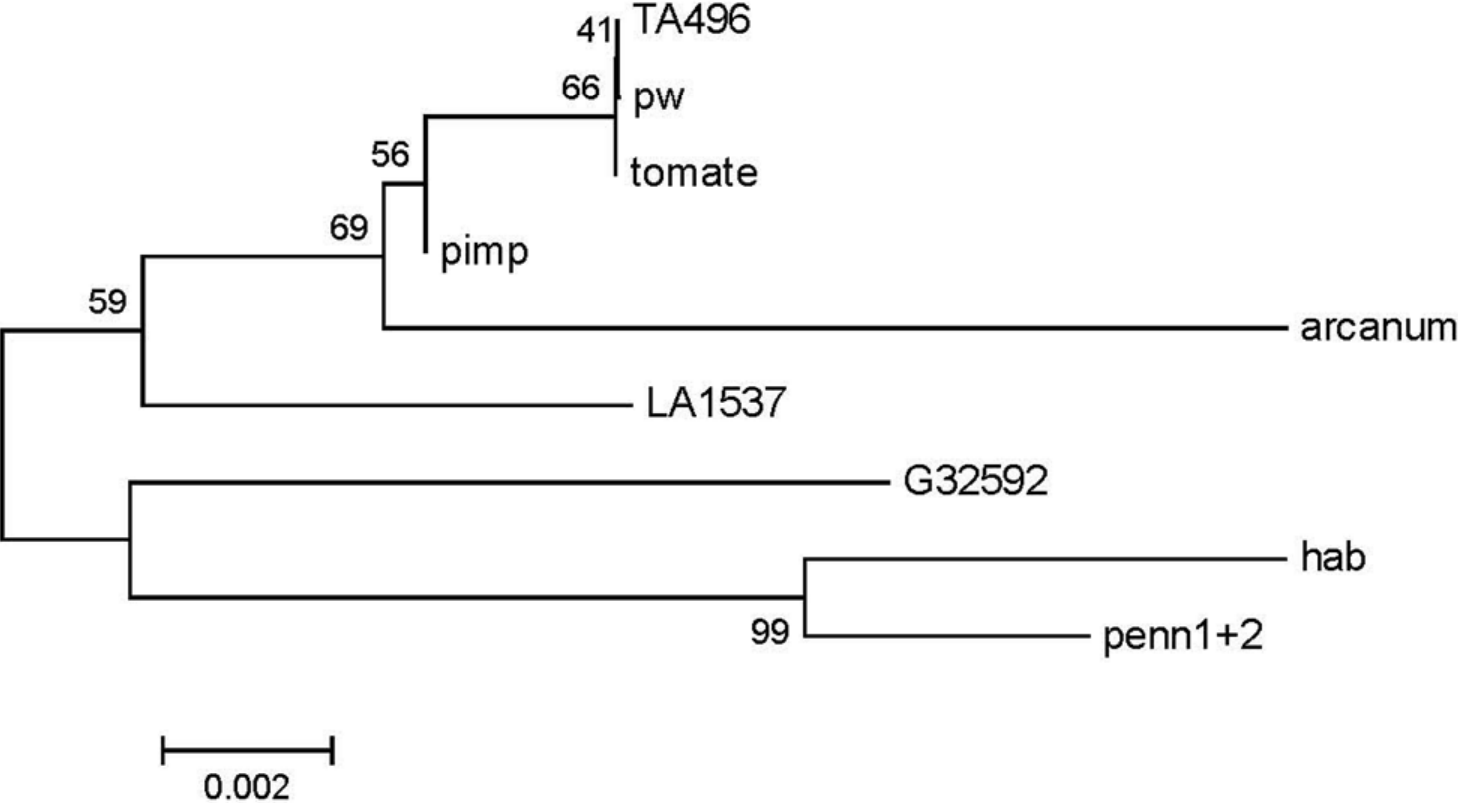
CRTISO



*rin*

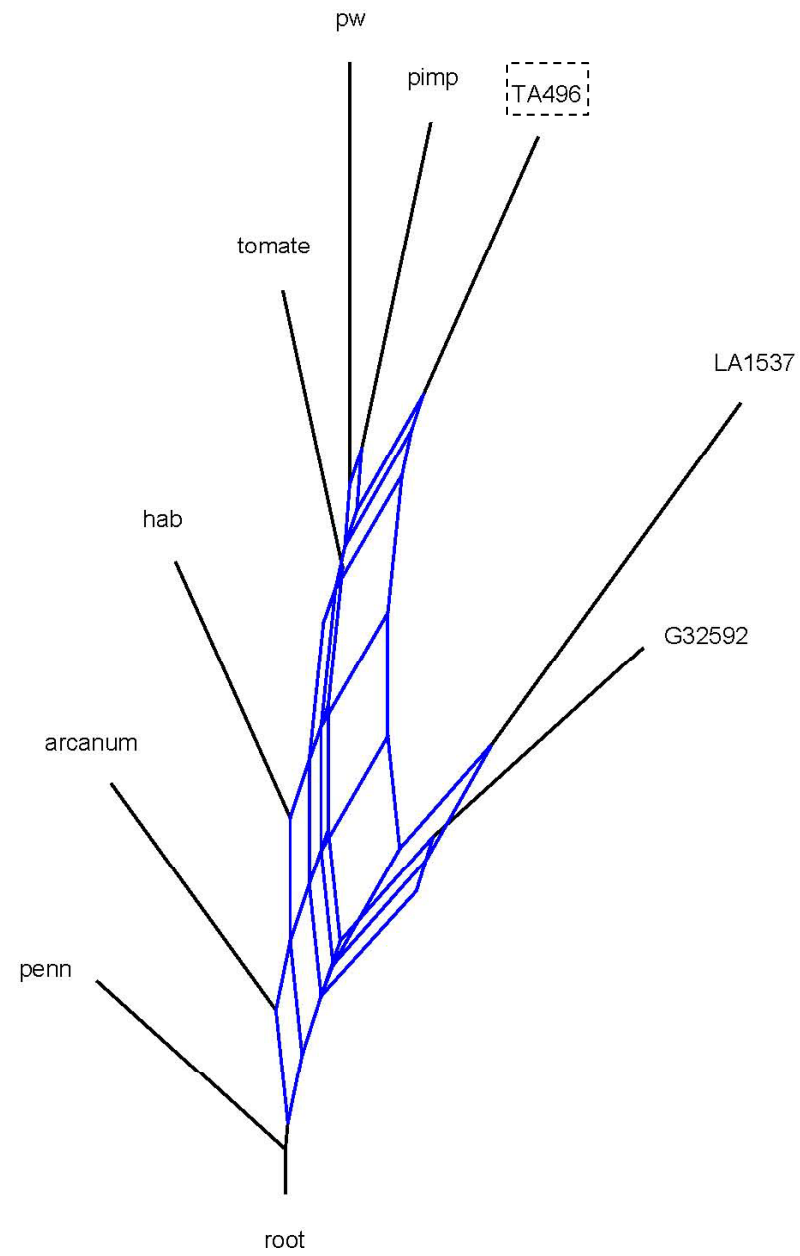


*PTOX*



H<sub>1.0</sub>

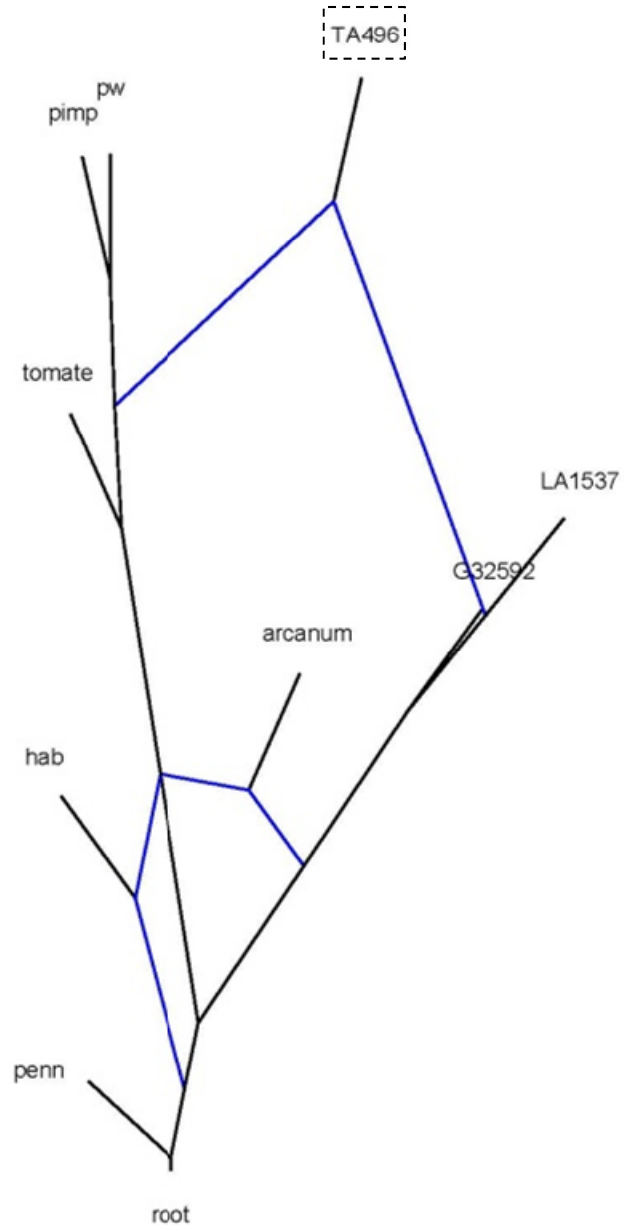
LeSNP30  
2486\_1





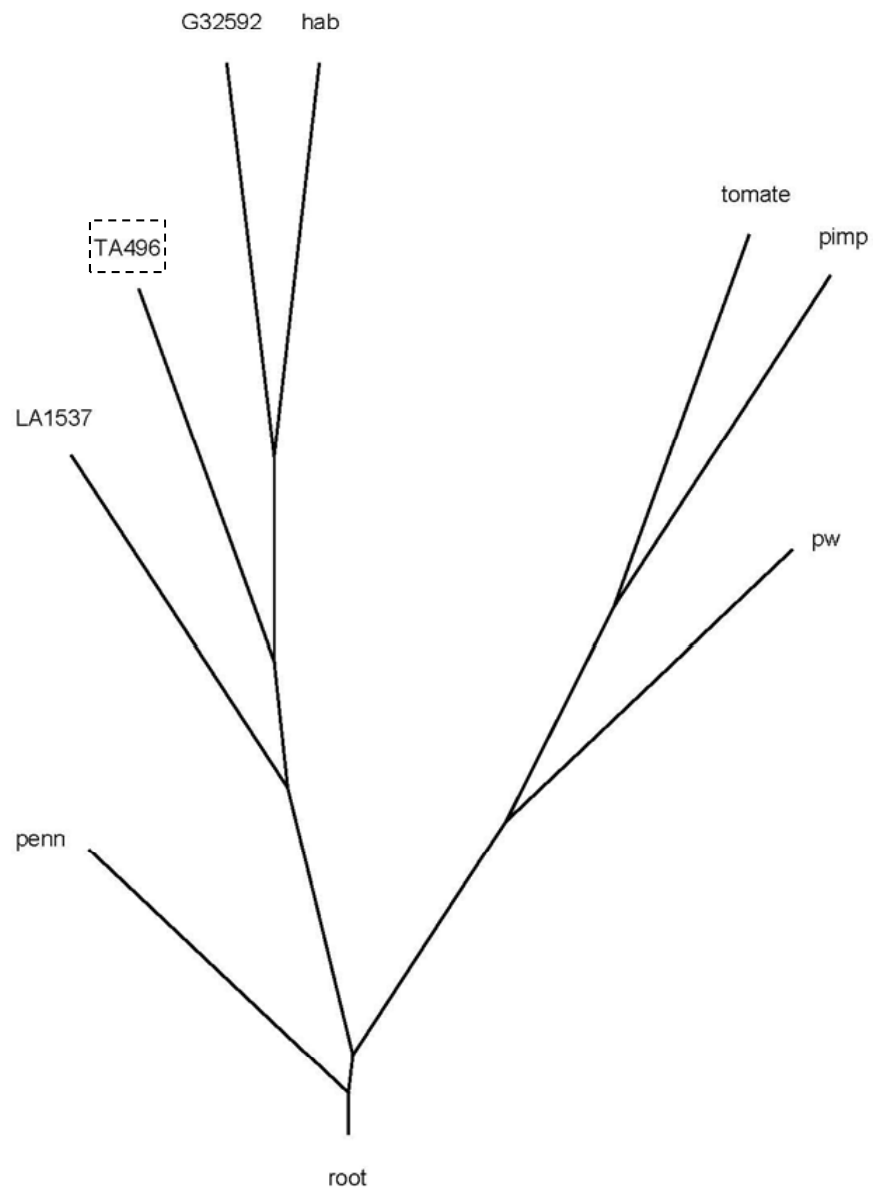
H0.1

LeSNP9b  
2534\_1b



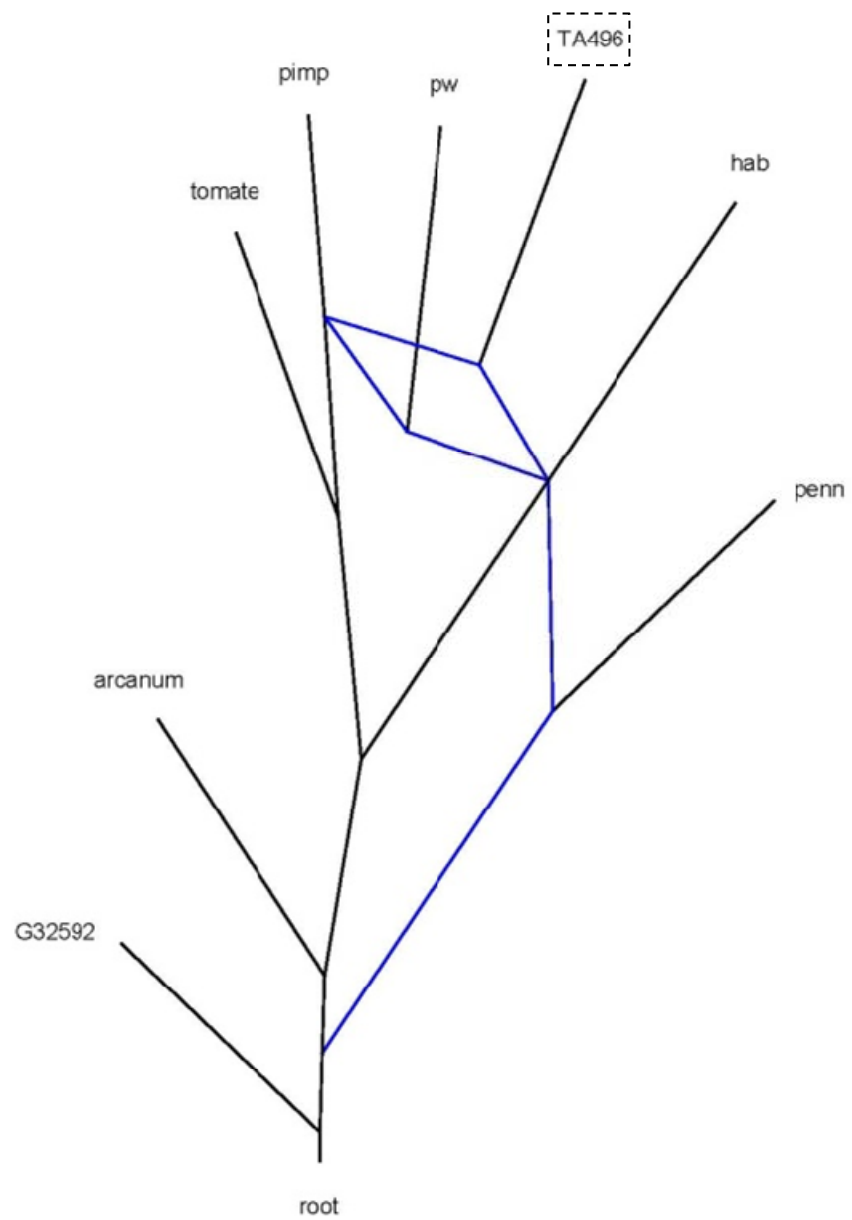
LeSNP25  
220\_1

H<sub>1.0</sub>



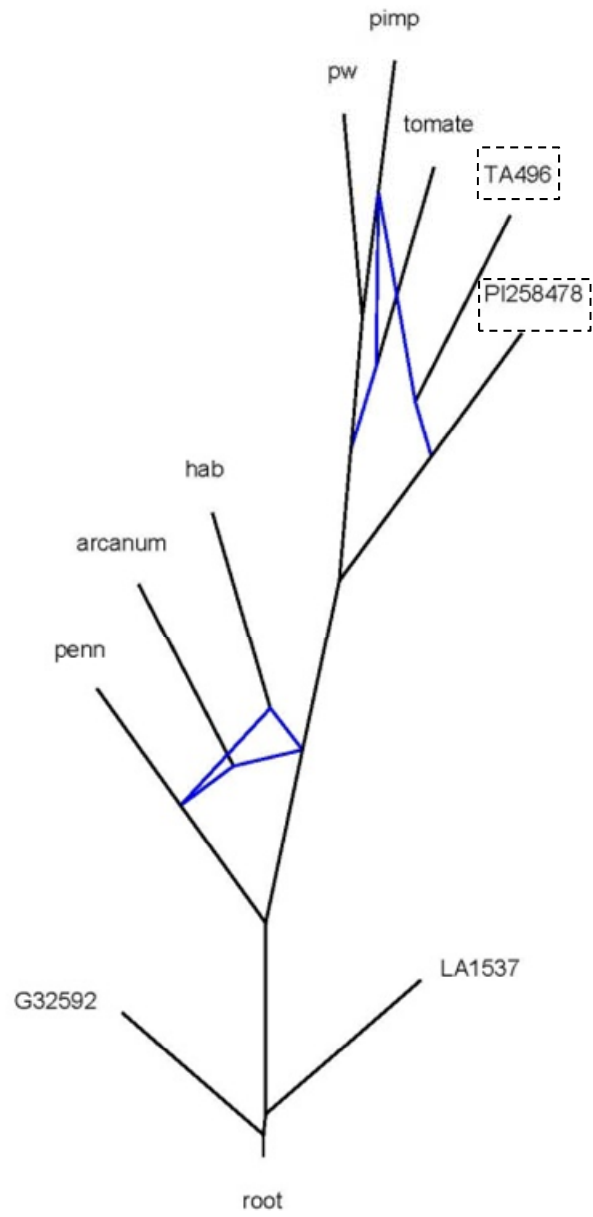
H<sub>1.0</sub>

LeSNP1  
437\_2



H<sub>1.0</sub>

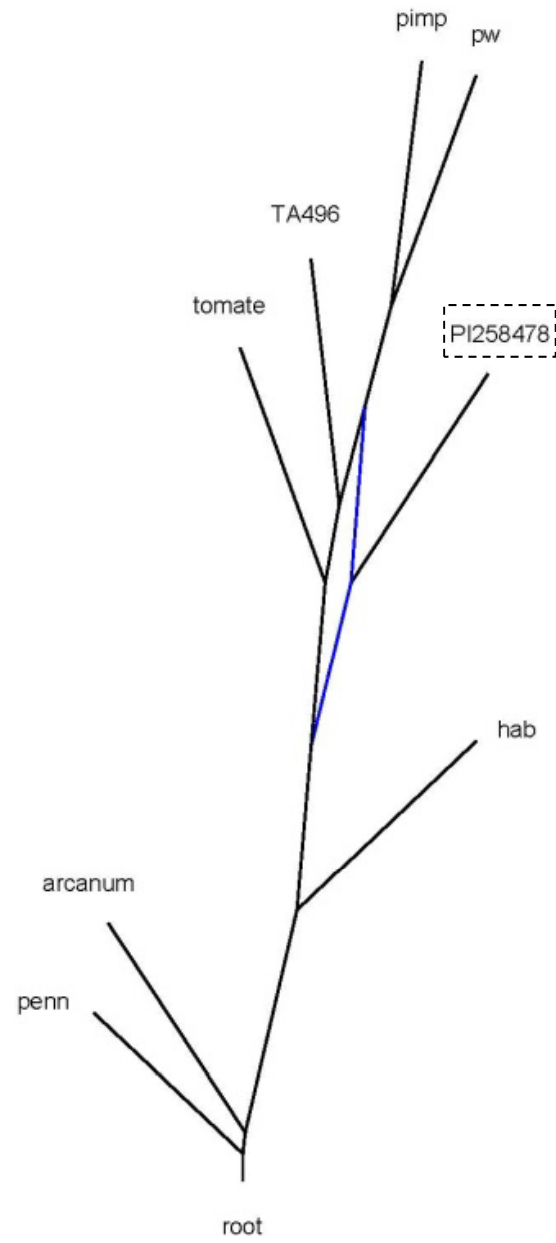
LeSNP10  
2325\_3



H1.0

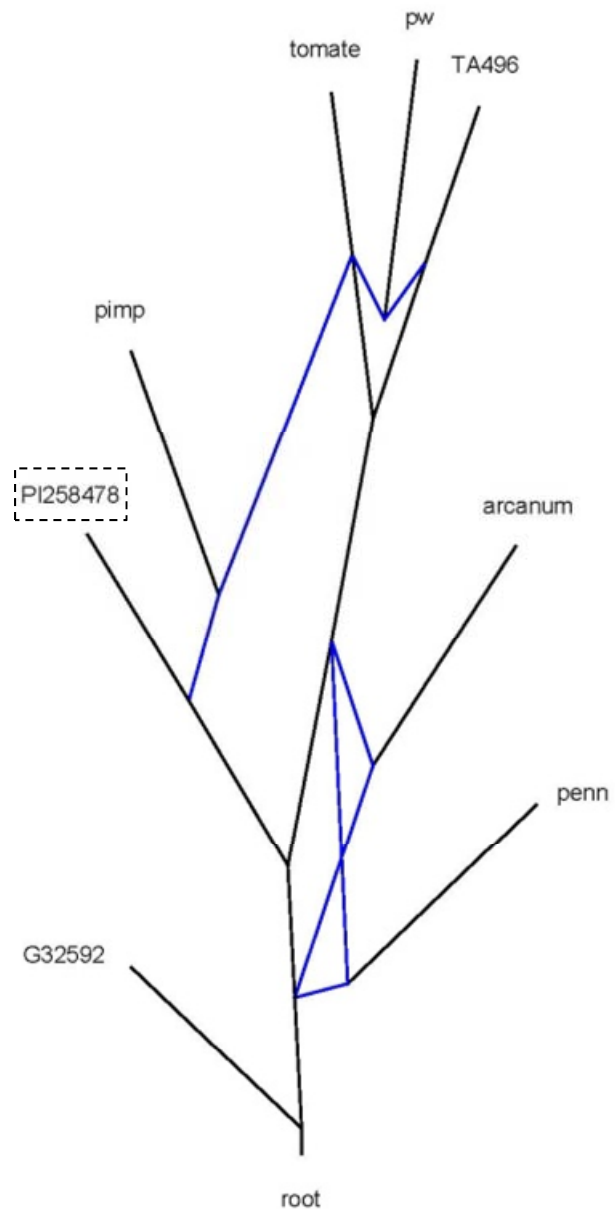
COS7

C2\_At1g44575



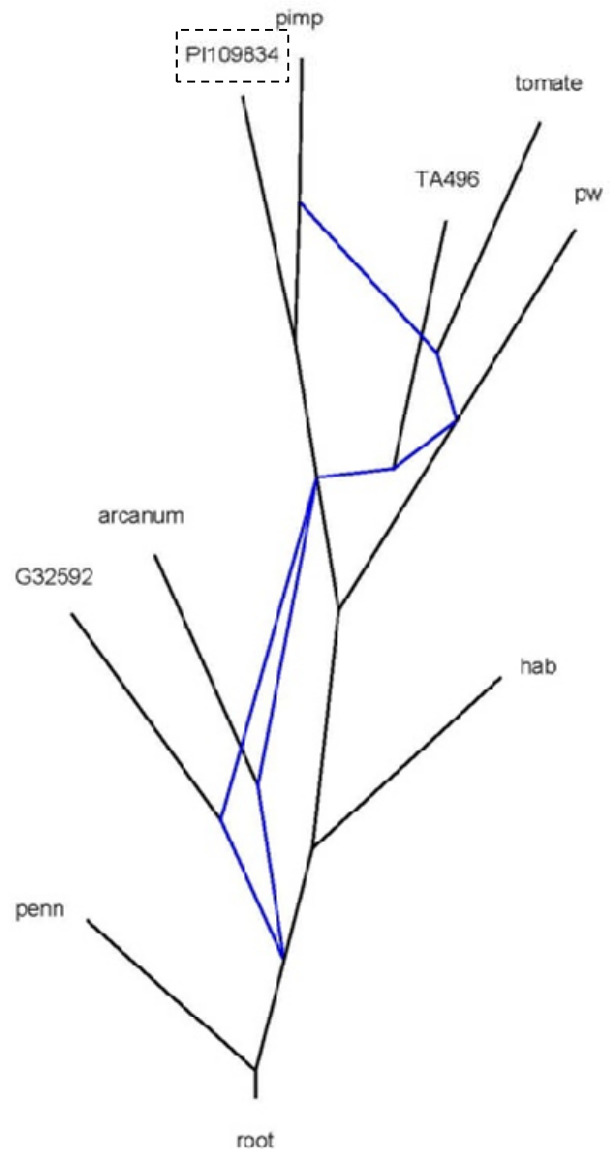
H<sub>1.0</sub>

LeSNP34  
2819\_5



COS1  
U146140

H<sub>1.0</sub>



H<sub>1.0</sub>

COS10  
C2\_At1g73180

