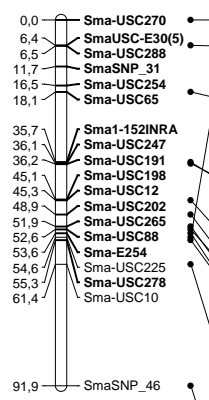
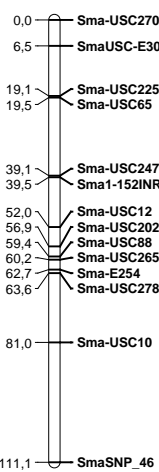
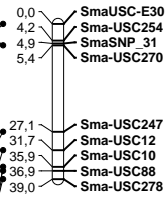
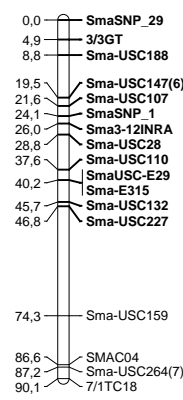
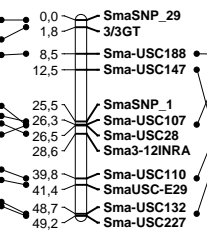
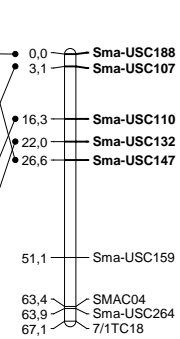
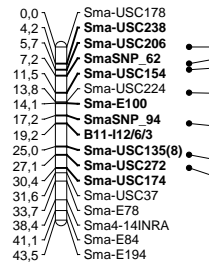
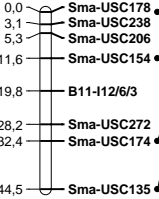
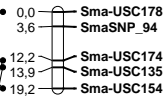
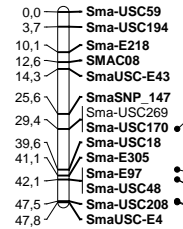
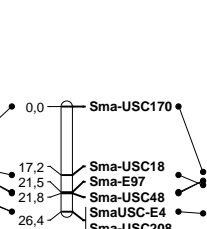
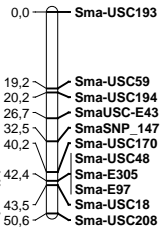
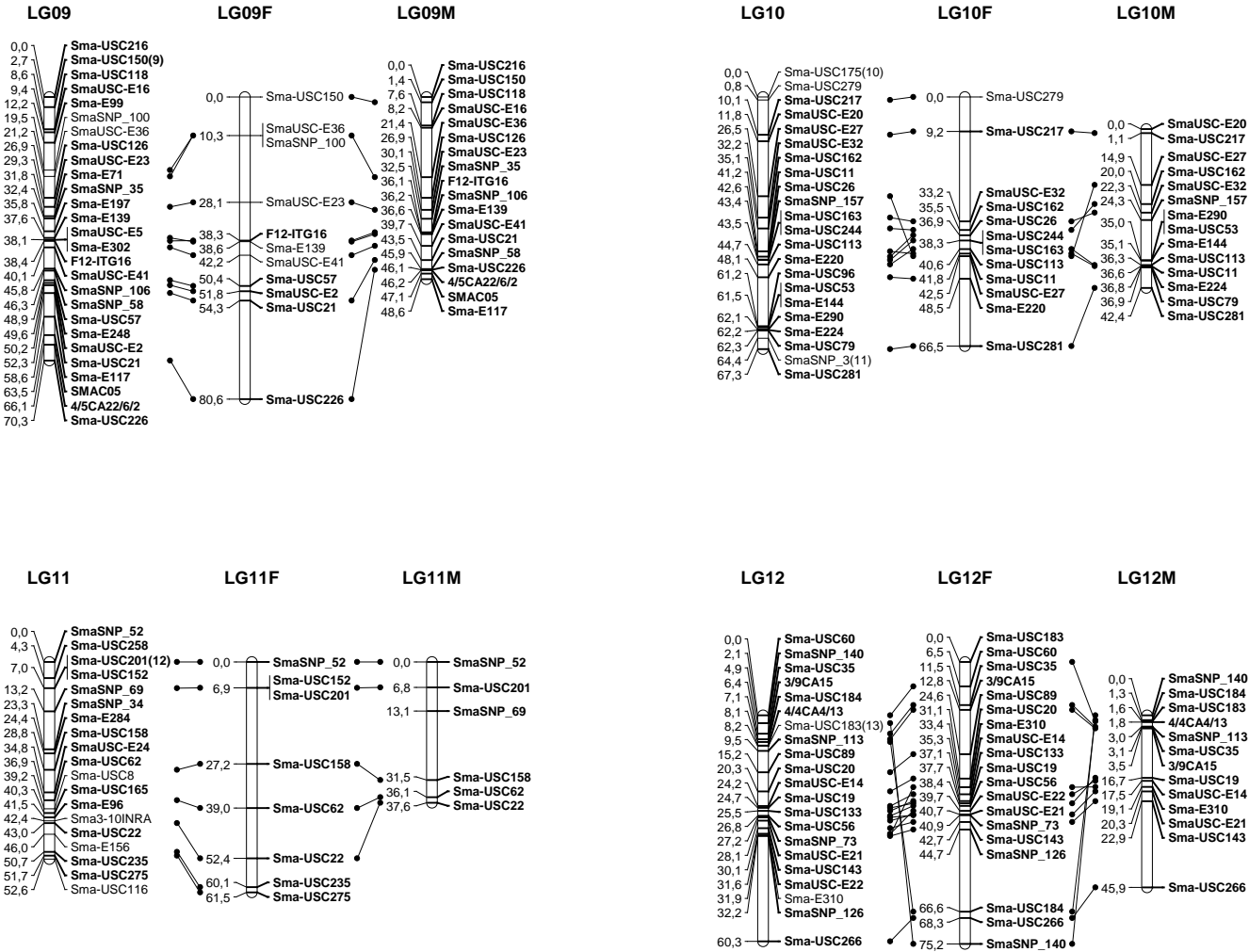
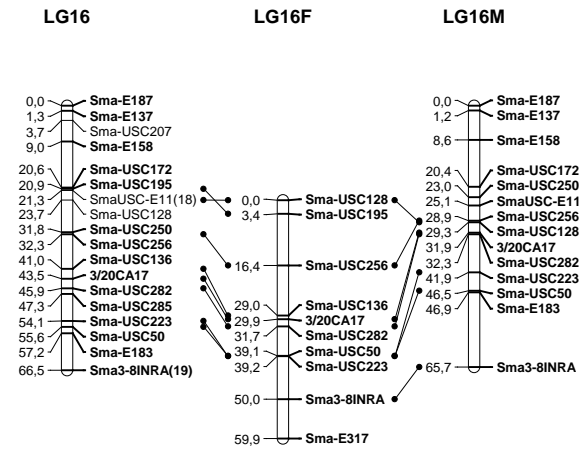
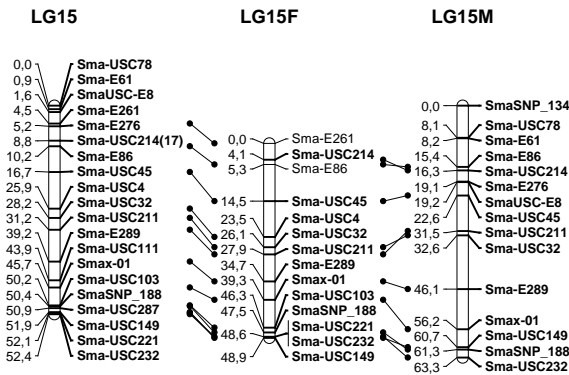
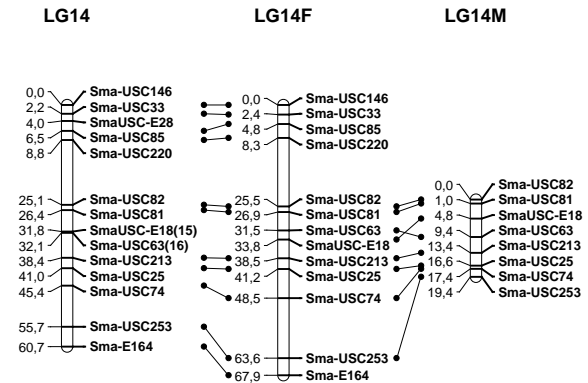
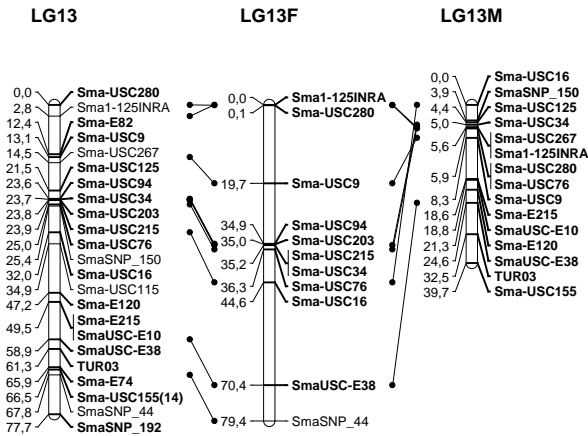


LG05**LG05F****LG05M****LG06****LG06F****LG06M****LG07****LG07F****LG07M****LG08****LG08F****LG08M**





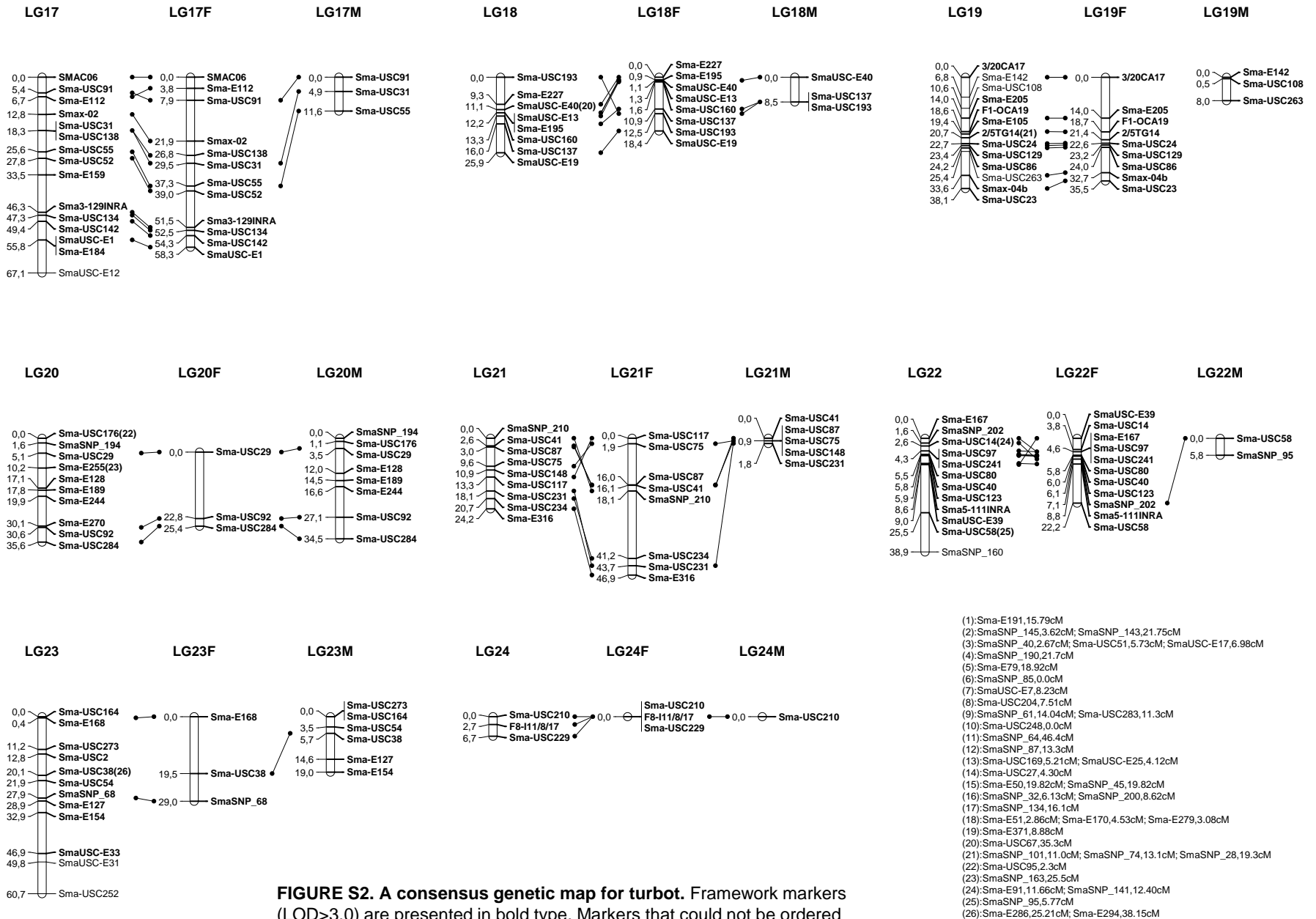


FIGURE S2. A consensus genetic map for turbot. Framework markers (LOD>3.0) are presented in bold type. Markers that could not be ordered with a log-likelihood support are represented as accessory markers at the right of the nearest linked marker