

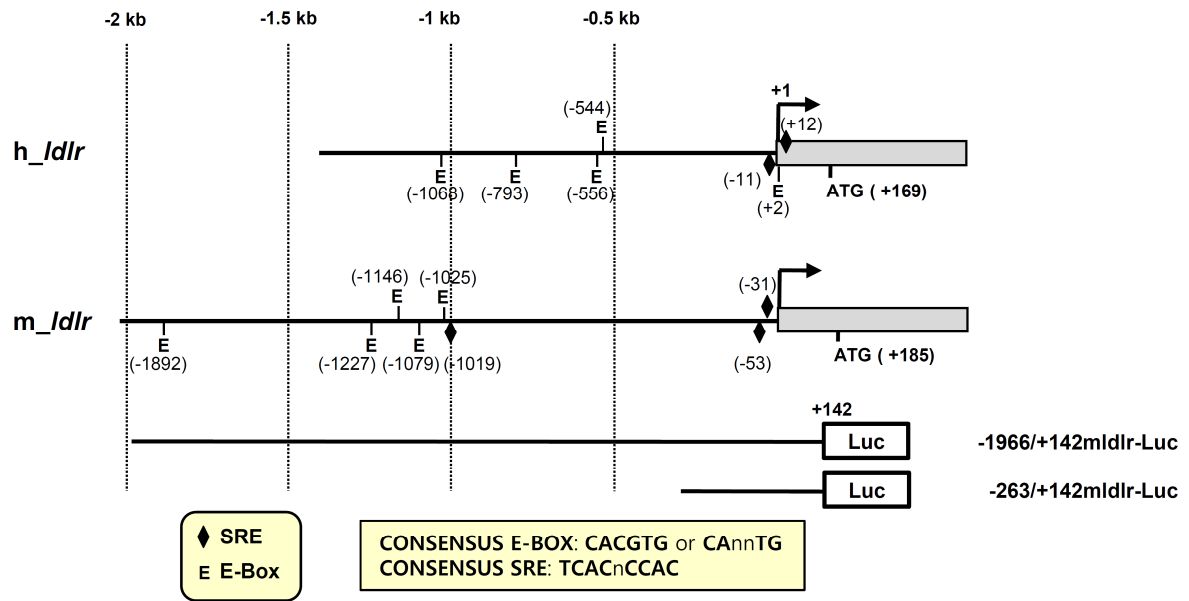
## Supplementary Information

### Supplementary Figure Legends

**Figure S1.** A schematic diagram depicts the locations of sterol response elements (SREs) and E-boxes on human and mouse *ldlr* gene promoters. Genomic DNA sequences spanning mouse and human *ldlr* genes were compared for the locations of E-boxes and SREs. DNA elements are symbolized as indicated in the bottom of the Figure. Constructs of mouse *ldlr* gene promoter used in Figure S2 are also depicted here.

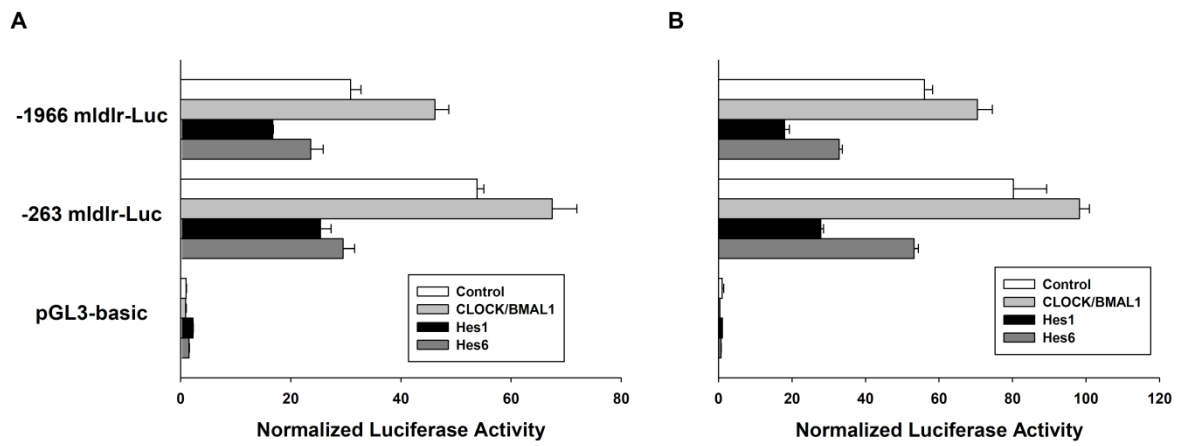
**Figure S2.** Effect of CLOCK/BMAL1, Hes1 and Hes6 on mouse *ldlr* promoter constructs. HepG2 human hepatocarcinoma cells were transiently transfected with each reporter construct with or without CLOCK/BMAL1, Hes1 and Hes6 expression vectors. One day after transfection, cells received either 10% FBS-containing (A) or serum-depleted (B) media. Luciferase assay was performed after additional 24 hour incubation.

**Figure S1**



**Figure S1.** A schematic diagram depicts the locations of sterol response elements (SREs) and E-boxes on human and mouse *ldlr* gene promoters.

**Figure S2**



**Figure S2.** Effect of CLOCK/BMAL1, Hes1 and Hes6 on mouse *ldlr* promoter constructs.

**Supplemental Data Table S1.** Primer sequences used in real-time PCR

name	sequence
<i>per1</i>	forward 5'-GTG TCG TGA TTA AAT TAG TCA G-3'
	reverse 5'- ACC ACT CAT GTC GTC TGG GCC -3'
<i>cry1</i>	forward 5'-CGA ATG AAT GCA AAC TCC CT-3'
	reverse 5'-AAA AAT TCA CGC CAC AGG AG-3'
<i>bmal1</i>	forward 5'-GGC CAT CAG TAA AGG TGG AA-3'
	reverse 5'-GGT GGC CAG CTT TTC AAA TA-3'
<i>rev-erba</i>	forward 5'- AAG ACA TGA CGA CCC TGG AC -3'
	reverse 5'- GAG TCA GGG ACT GGA AGC TG -3'
<i>hes1</i>	forward 5'- AAA CGA AAA TGC CAG CTG AT -3'
	reverse 5'- GTC TTT GGT TTG TCC GGT GT -3'
<i>hes6</i>	forward 5'- CAG GGG GTG CAC TAA AGA AA -3'
	reverse 5'- GAT CCT CAG AAT GCC CAA AA -3'
<i>gapdh</i>	forward 5'-AAC TTT GGC ATT GTG GAA GG-3'
	reverse 5'-ACA CAT TGG GGG TAG GAA CA-3'
<i>ldlr</i>	forward 5'-GAA CTC AGG GCC TCT GTC TG-3'
	reverse 5'-AGC AGG CTG GAT GTC TCT GT-3'