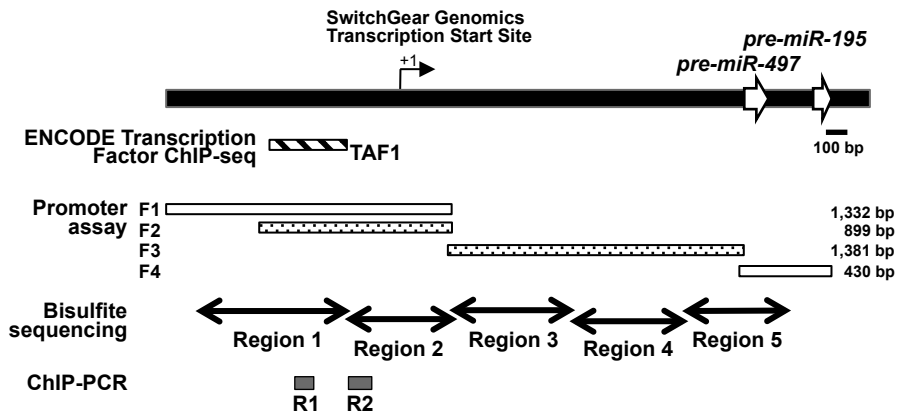
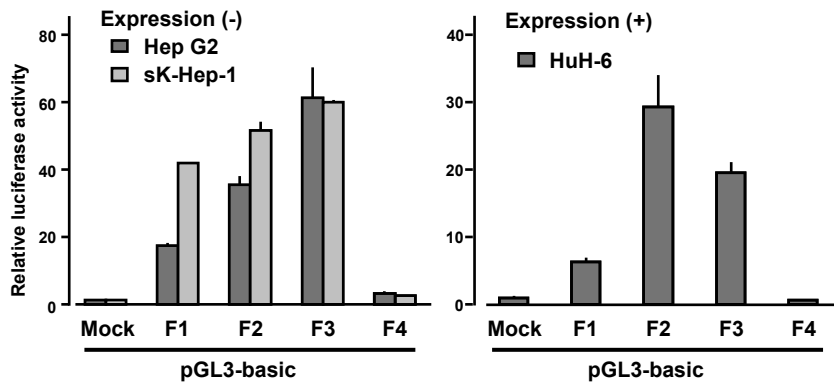


Supplementary Fig. S3

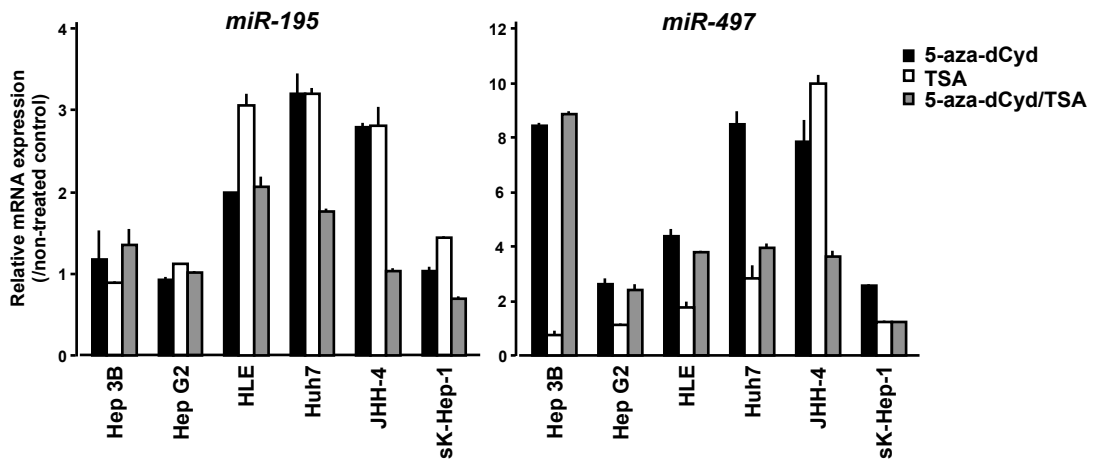
A



B



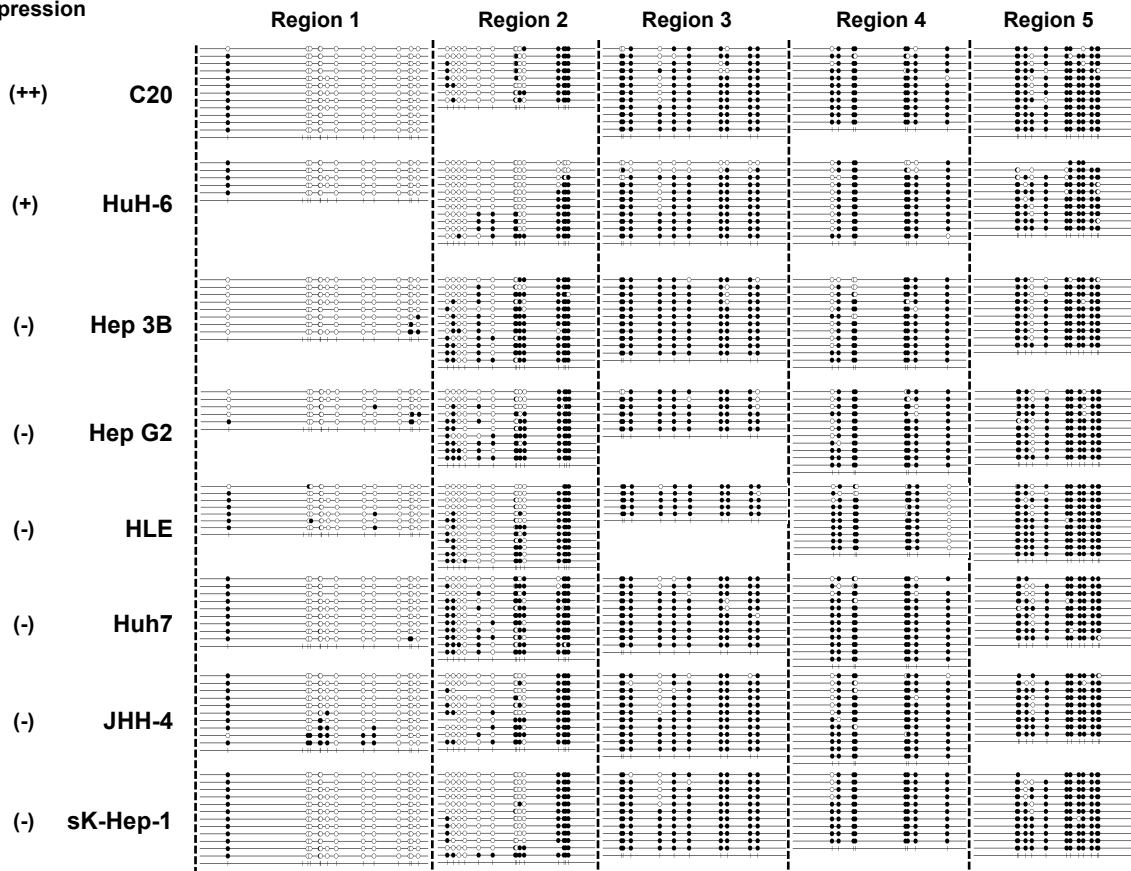
C



Supplementary Fig. S3 CONTINUED

D

miR-497/195
expression



E

