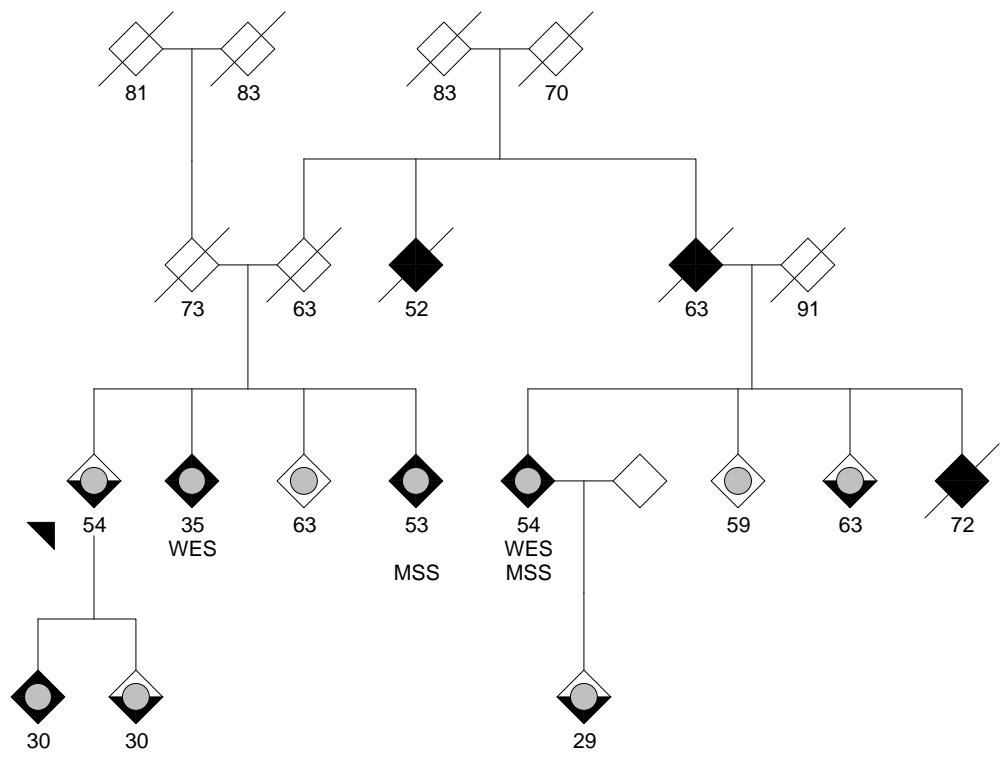


Family 1

■ Diagnosis = CRC

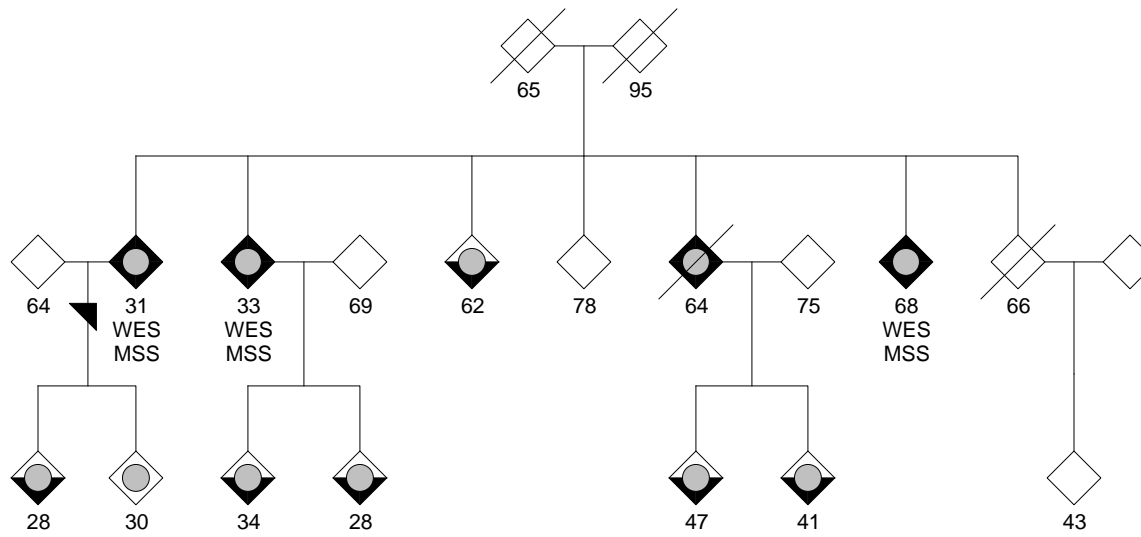
◻ Follow Up Sequencing = 1

◻ Polyp = 1



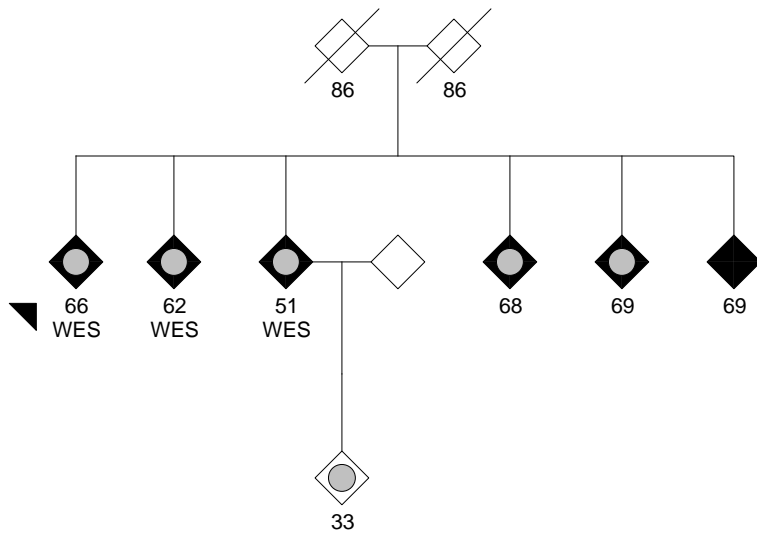
Family 2

■ Diagnosis = CRC ◯ Follow Up Sequencing = 1 ◻ Polyp = 1



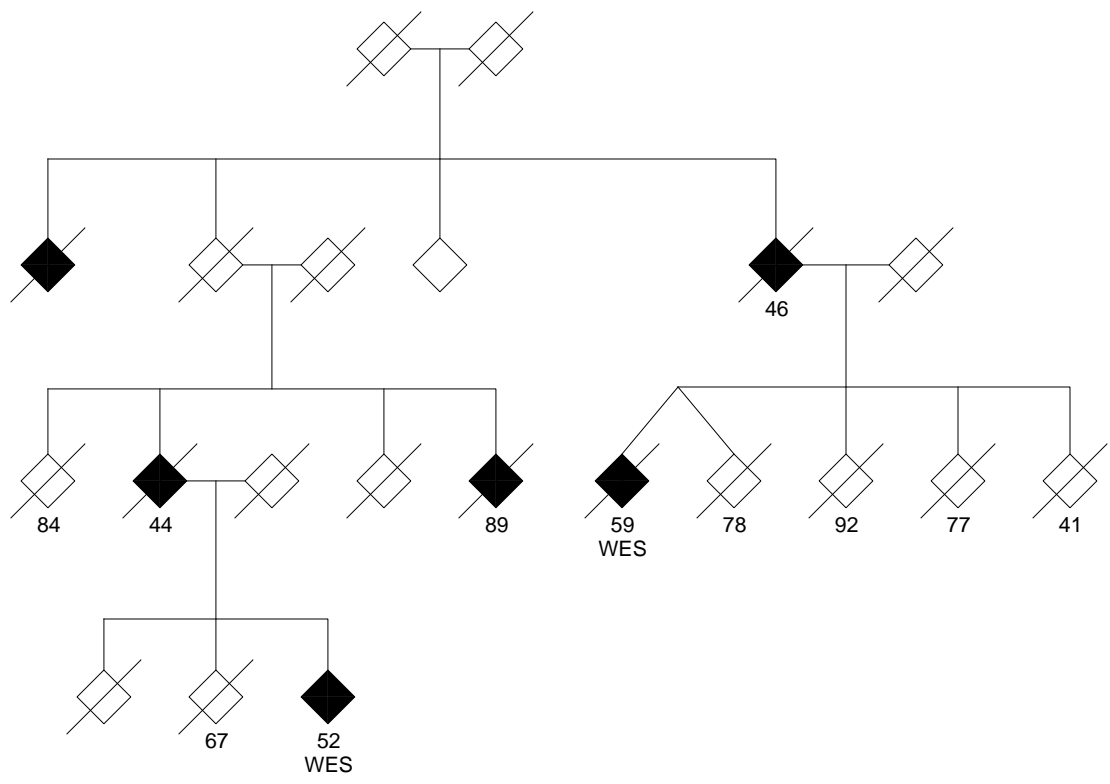
Family 3

■ Diagnosis = CRC □ Follow Up Sequencing = 1



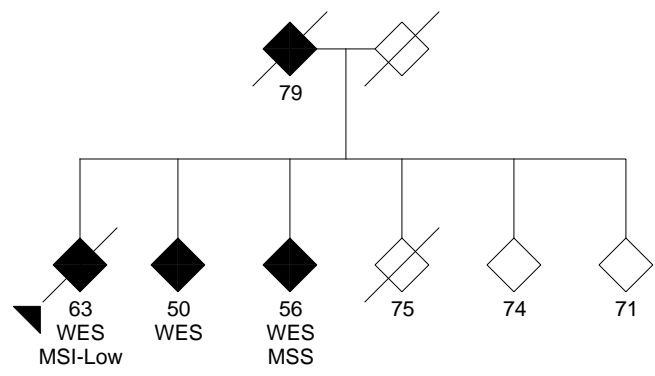
Family 4

■ Diagnosis = CRC



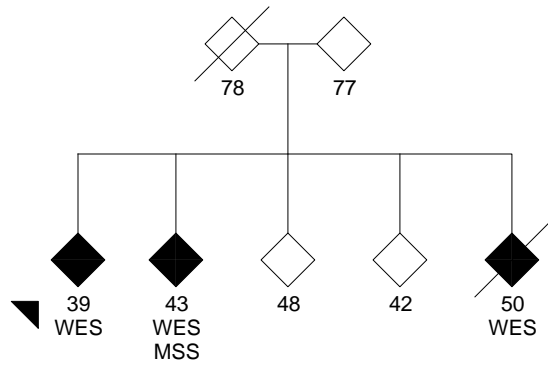
Family 5

■ Diagnosis = CRC



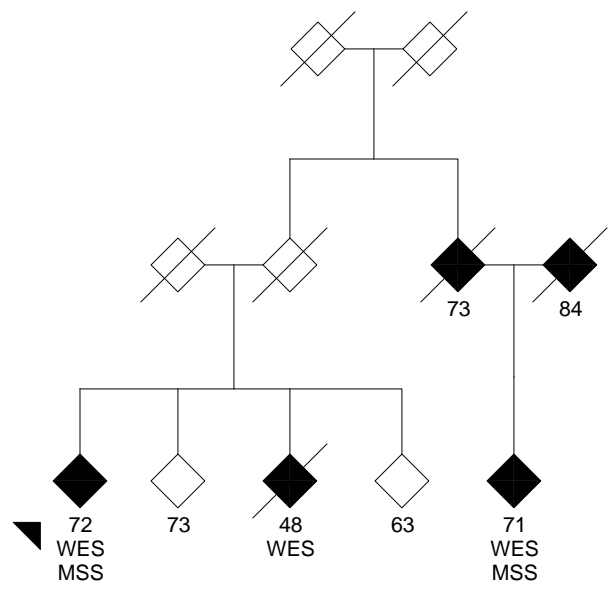
Family 6

■ Diagnosis = CRC



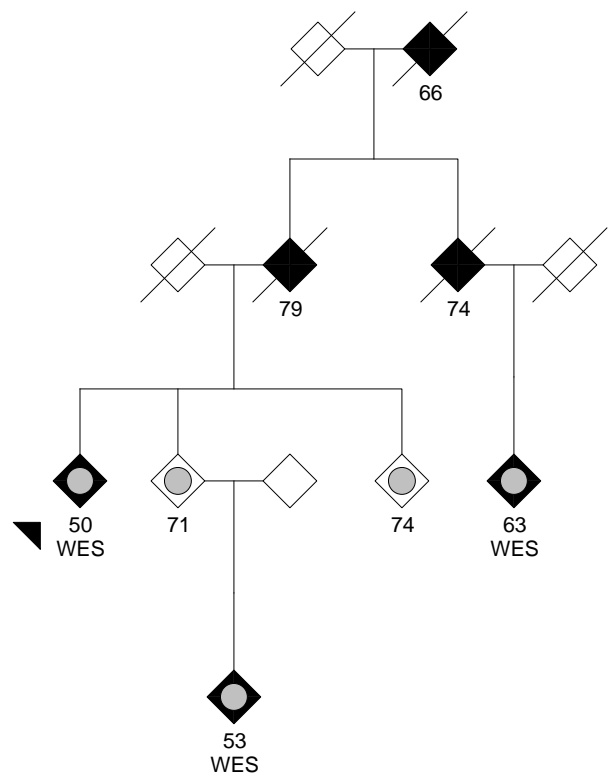
Family 7

■ Diagnosis = CRC



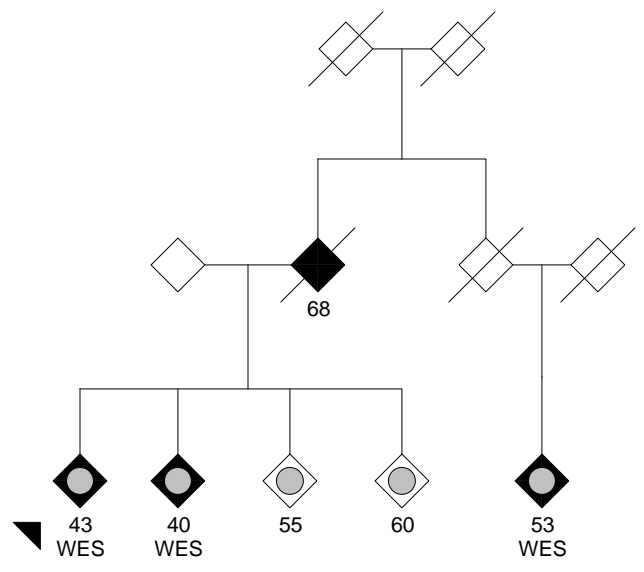
Family 8

Diagnosis = CRC Follow Up Sequencing = 1



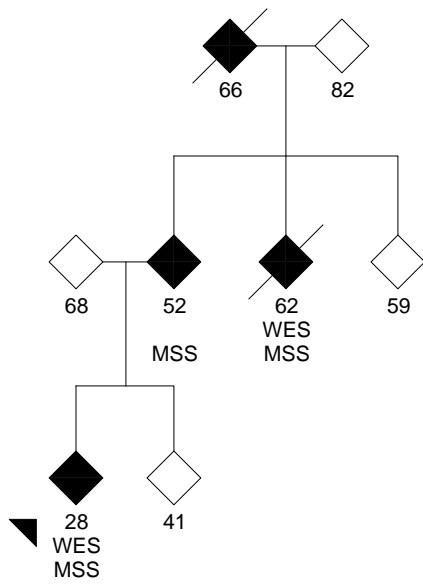
Family 9

■ Diagnosis = CRC □ ● Follow Up Sequencing = 1



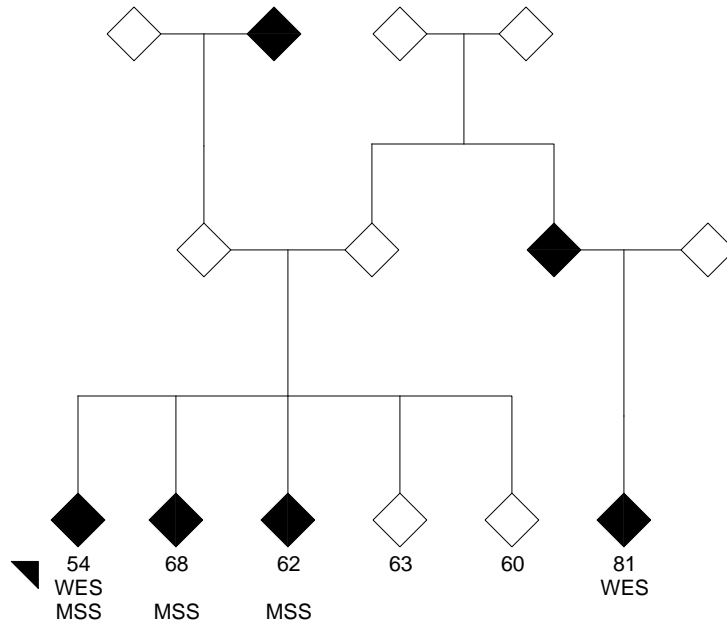
Family 10

■ Diagnosis = CRC



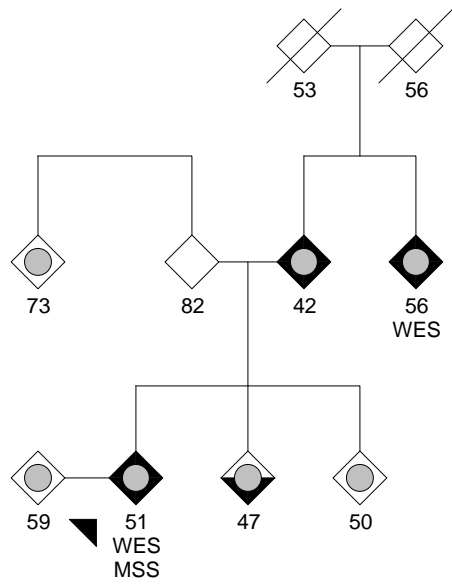
Family 11

■ Diagnosis = CRC



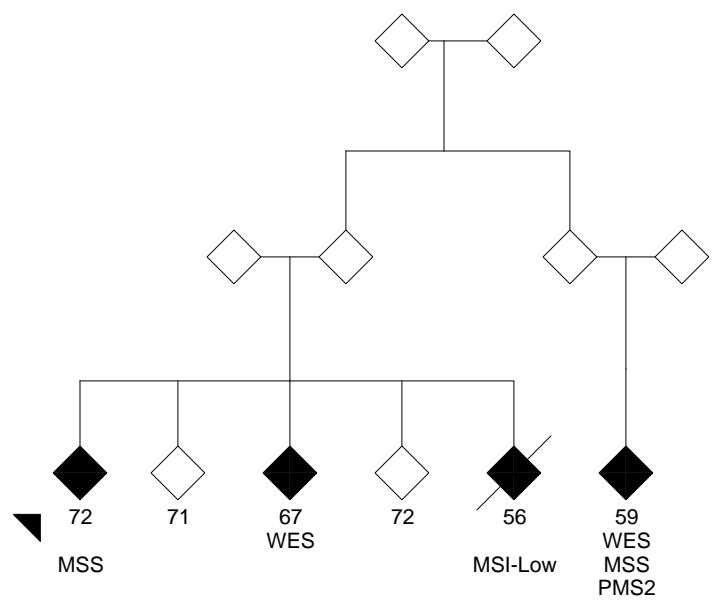
Family 12

■ Diagnosis = CRC □ ● Follow Up Sequencing = 1 ■ Polyp = 1



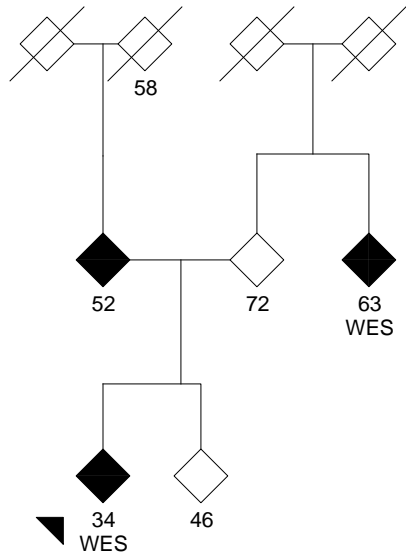
Family 13

■ Diagnosis = CRC



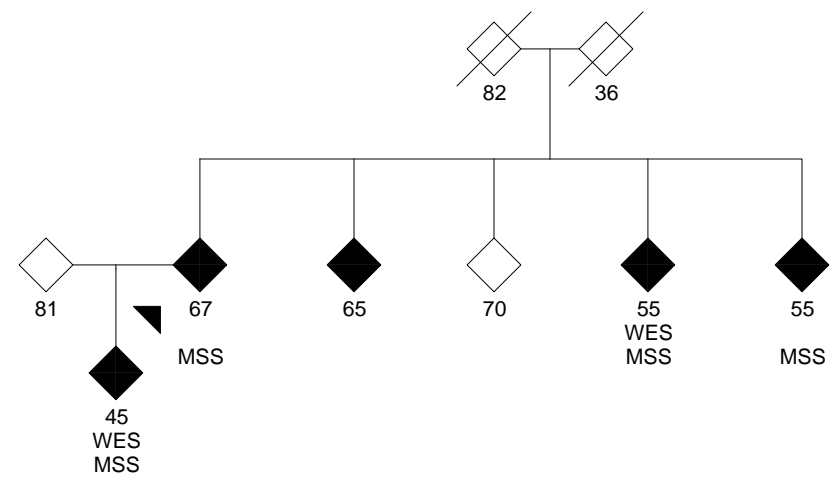
Family 14

■ Diagnosis = CRC



Family 15

■ Diagnosis = CRC



Family16

■ Diagnosis = CRC

○ Follow Up Sequencing = 1

