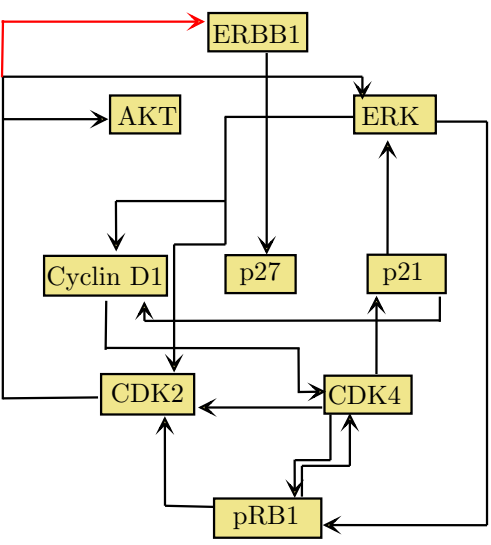
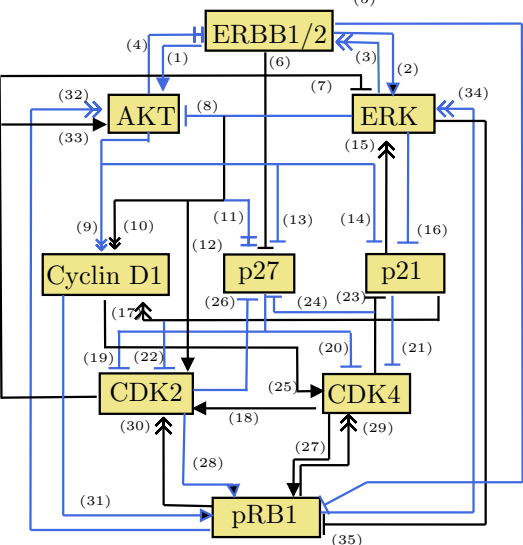


Network reconstructed by BVSA and MPM

Pathway constructed from literature



(a)



(b)

Legends:

- Influence (can be either Activatory or inhibitory, via transcriptional or non transcriptional means)
- ⇒ Activation via transcriptional means
- ⊣ Inhibition via non transcriptional means
- Not inferred by BVSA
- ⊣ Inhibition via transcriptional means
- ⇒ Activation via non transcriptional means
- No evidence was found in literature

Figure S4: The ERBB-G1/S transition network inferred by the Median Probability Model