

**Supplemental Table. mtDNA variants in 3 Han Chinese probands with coronary heart disease**

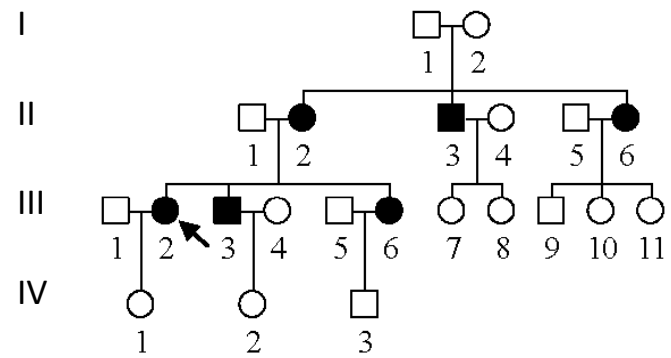
Gene	Position	Replacement	Conservation (H/B/M/X) <sup>a</sup>	CRS	BJH15 -III-7	BJH-15 III-12	BJH-45 III-2	Previous reported
D-loop	73	A to G		A	G	G	G	Yes
	103	G to A		G	A	A	A	Yes
	152	T to C		T		C	C	Yes
	189	A to G		A			G	Yes
	195	T to C		T		C		Yes
	199	T to C		T			C	Yes
	203	G to A		G			A	Yes
	204	T to C		T		C	C	Yes
	263	A to G		A	G	G	G	Yes
	310	T to CT/ CTC		T	CTC	CT	CT	Yes
	481	C to T		C	T			Yes
	514	C to Del		C	Del C	Del C	Del C	Yes
	515	A to Del		A	Del A	Del A	Del A	Yes
	16140	T to C		T	C	C	C	Yes
	16153	G to A		G		A		Yes
	16183	A to C		A	C	C	C	Yes
	16189	T to C		T	C	C	C	Yes
	16193	C to CC		C	CC			Yes
	16234	C to T		C	T			Yes
	16243	T to C		T	C	C	C	Yes
	16256	C to T		C			T	Yes
	16344	C to T		C	T			Yes
	16463	A to G		A	G			Yes
16519	T to C		T	C	C	C	Yes	
12S rRNA	709	G to A	G/G/A/A	G	A	A	A	Yes
	750	A to G	A/A/A/ G	A	G		G	Yes
	769	G to A	A/A/G/A	G		A		Yes
	961	InsC	C/A/T/A	C		CC		Yes
	1438	A to G	A/A/A/G	A	G	G	G	Yes
	1598	G to A	G/A/T/T	G	A	A	A	Yes
16S rRNA	2626	T to C	T/T/A/G	T			C	Yes
	2706	A to G	A/G/A/A	A	G	G		Yes
ND1	3397	A to G (Met to Val)	M/M/M/I	A		G		Yes
	4161	C to T		C	T			Yes
ND2	4769	A to G		A	G	G		Yes
	4895	A to G		A	G			Yes
CO1	6260	G to A		G		A		Yes
	6969	G to A (Ile to Val)	I/I/L/V	G			A	Yes
	7028	C to T		C	T	T	T	Yes
NC7	8271-79	9-bp del		C	9 bp Del	9 bp Del	9 bp Del	Yes
ATP6	8584	G to A (Ala to Thr)	A/V/V/I	G	A	A	A	Yes
	8784	A to G		A		G		No
	8829	C to T		C	T	T	T	Yes
	8856	G to A		G			A	Yes
	8860	A to G (Thr to Ala)	T/A/A/T	A	G	G	G	Yes
CO3	9950	T to C		T	C	C	G	Yes
	10398	A to G (Thr to Ala)	T/T/T/A	A	G	G	G	Yes

ND3	11101	A to G		A	G			Yes	
	11719	G to A		G	A	A	A	Yes	
ND5	12361	A to G		A	G	G	G	Yes	
	14221	T to C		T	C			Yes	
ND6	14766	C to T (Thr to Ile)	T/S/T/S	C	T	T	T	Yes	
CYTB	15223	C to T		C	T	T	T	Yes	
	15323	C to T		C		T	T	Yes	
	15326	A to G (Thr to Ala)	T/M/I/I	A	G	G	G	Yes	
	15508	C to T		C	T	T	T	Yes	
	15650	G to A (Ala to Thr)	A/A/A/G	G		A		Yes	
	15662	A to G (Ile to Val)	I/L/F/L	A	G	G	G	Yes	
	15850	T to C		T	G			Yes	
	15851	A to G (Ile to Val)	I/A/S/M	A	G	G	G	Yes	
	tRNA <sup>Thr</sup>	15927	G to A	G/G/G/G	G	A	A	A	Yes

\*Conservation of amino acid for polypeptides or nucleotide for RNAs in human (H), bovine (B), mouse (M), and *Xenopus laevis* (X);

†CRS: Cambridge reference sequence;<sup>5</sup>

‡See the online mitochondrial genome database <http://www.mitomap.org> and <http://www.genpat.uu.se/mtDB/>



BJH45 with 15927G>A mutation