

**B**

	WT	coel-1XS	coel-1(nxEx445)
Embryonic lethality n= total embryo laid	0.9% (n= 332)	50% (n= 211)	16.5% (n= 103)
AVM/PVM number defect n= number of neurons	0% (n= 100)	32% (n= 130)	22% (n=76)

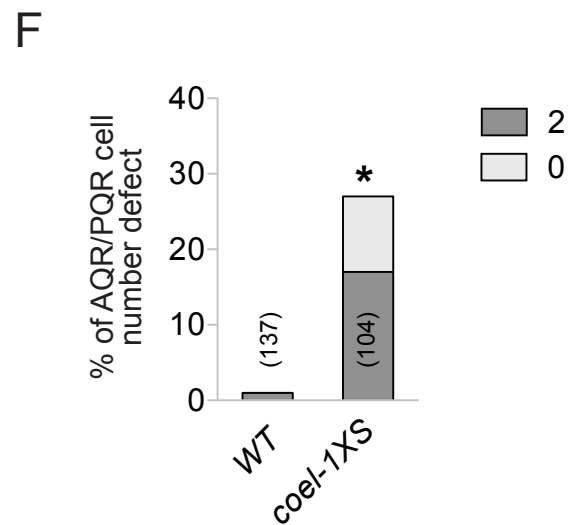
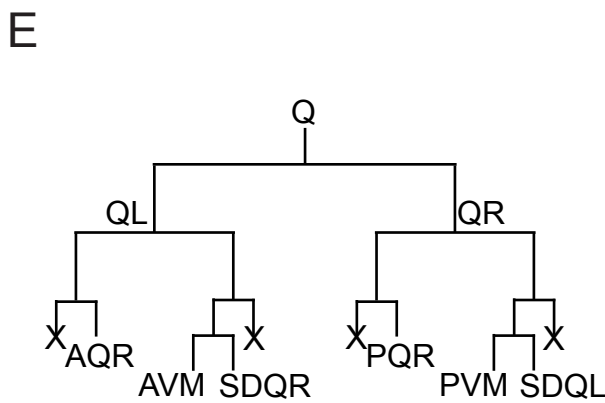
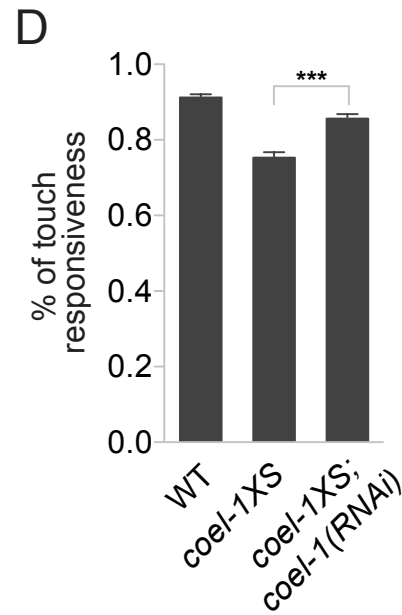
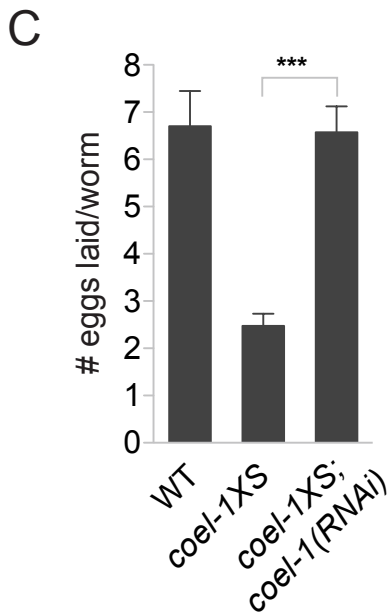


Figure S6