

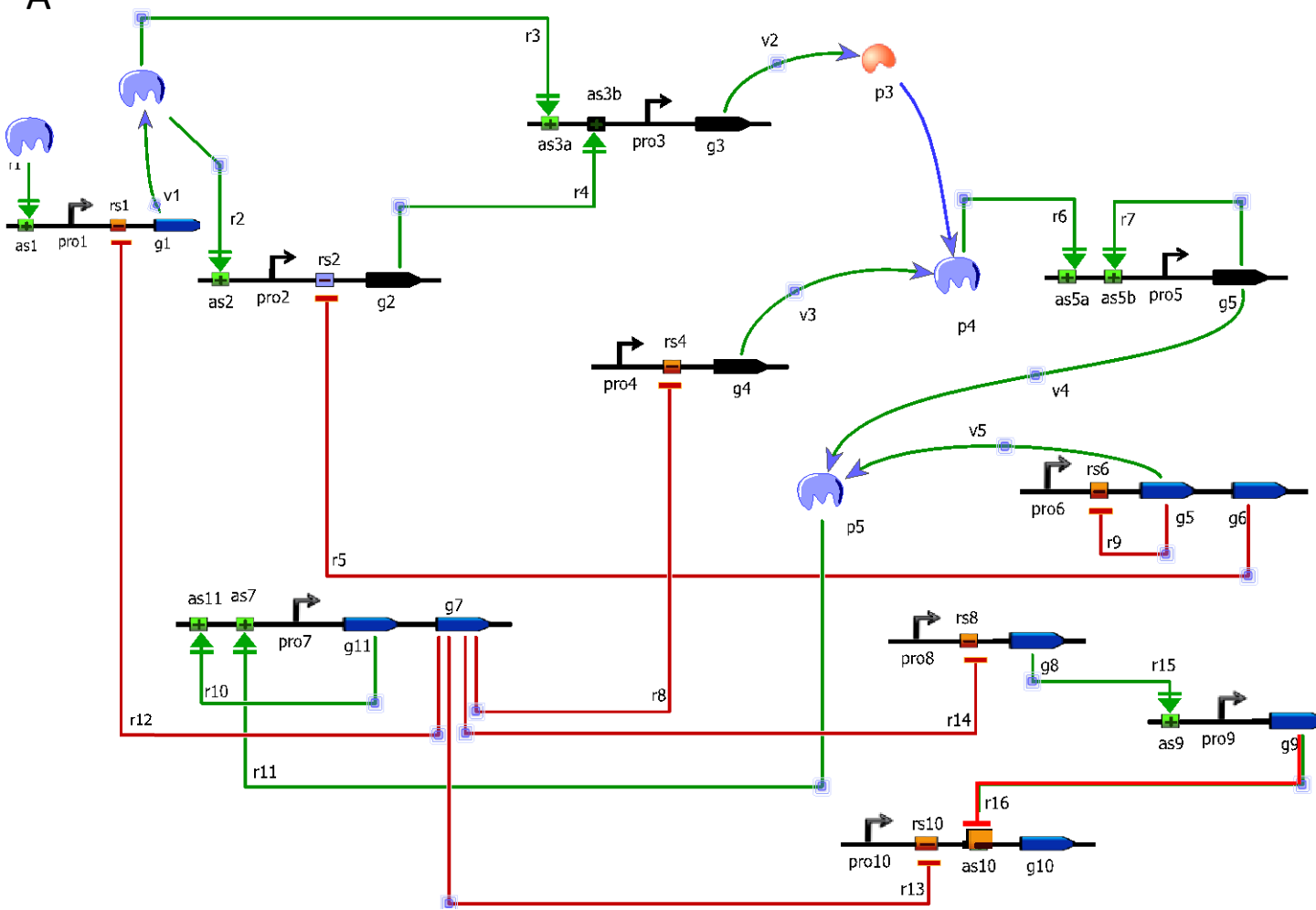
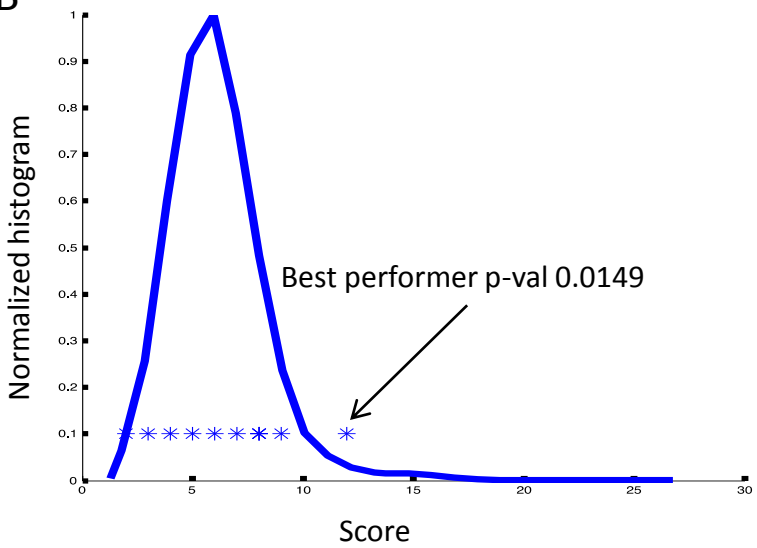
A**B**

Figure S2. Network Topology Challenge gene network and scores **A.** Gene network for model 2 of 11 genes and 61 parameters where links r9,r10,12 were missing and whose identity challenge participants had to Determine.**B.** A score is calculated based on the 3 different links predicted and a p-value is calculated based on the distribution of randomly generated links used as a null-hypothesis.