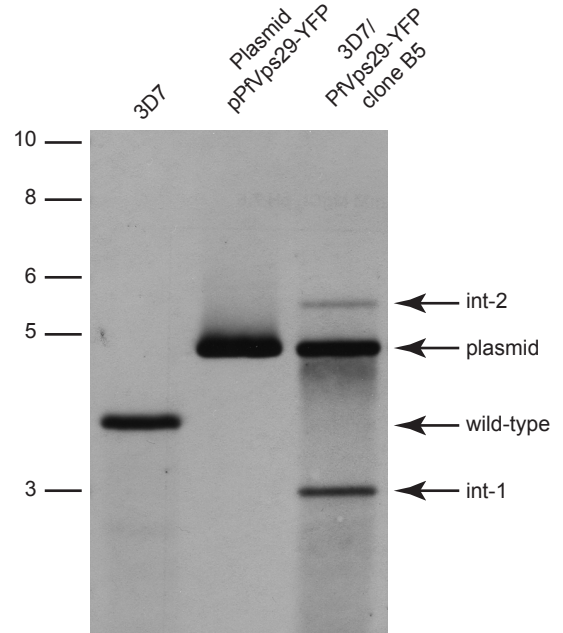
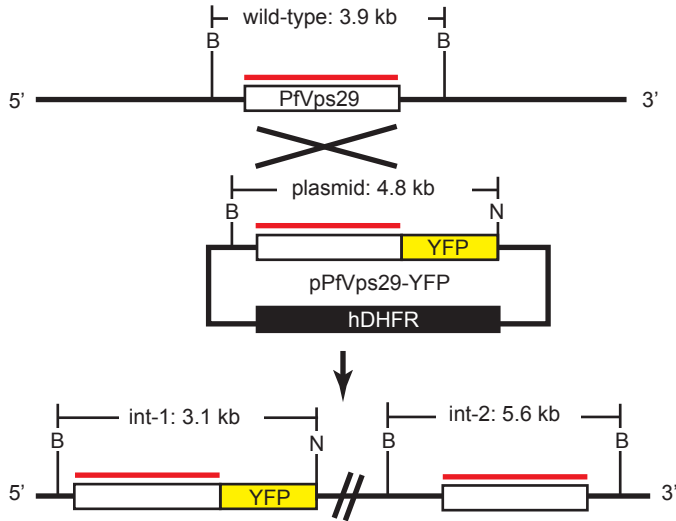


**Figure S2. Southern blot characterization of transgenic parasite lines.**

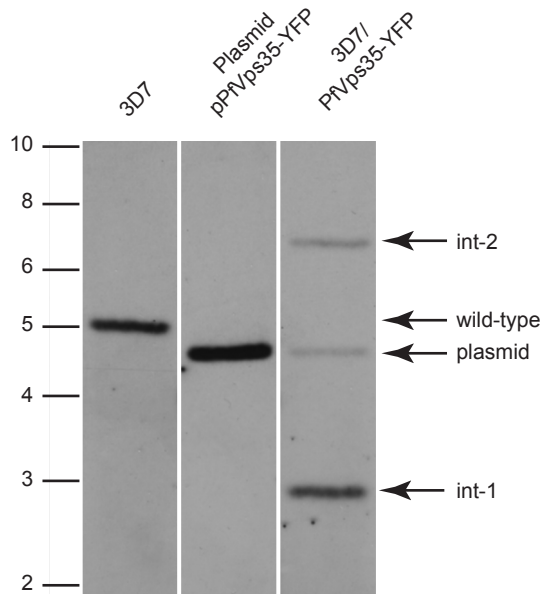
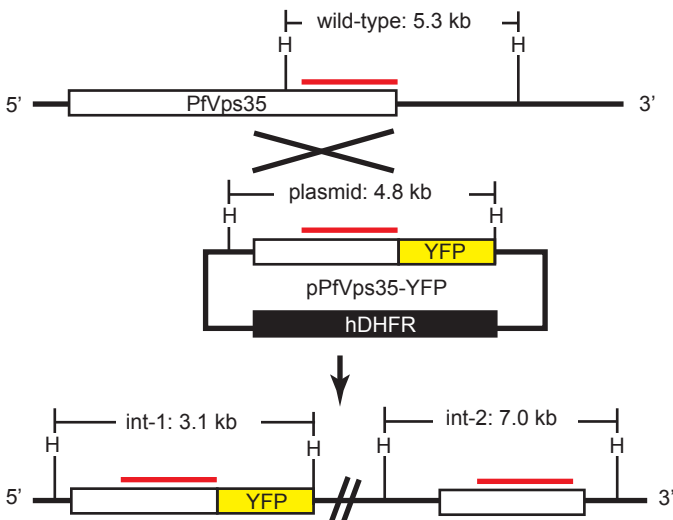
**A. PfVps29-YFP**

B = BamHI, N = NotI



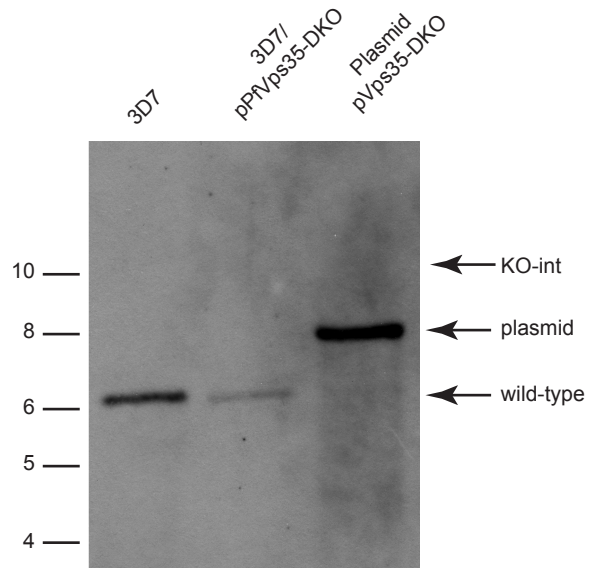
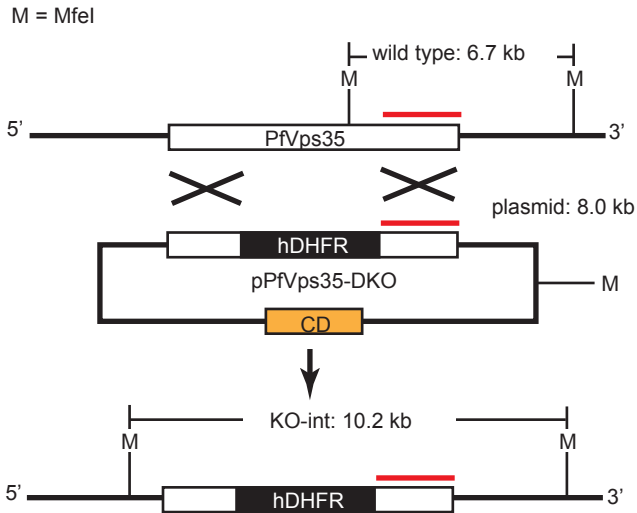
**B. PfVps35-YFP**

H = HindIII



**Figure S2. (Continued)**

**C. PfVps35 gene disruption**



**D. DD-mCherry-PfRab7**

P=Pacl, N=NotI

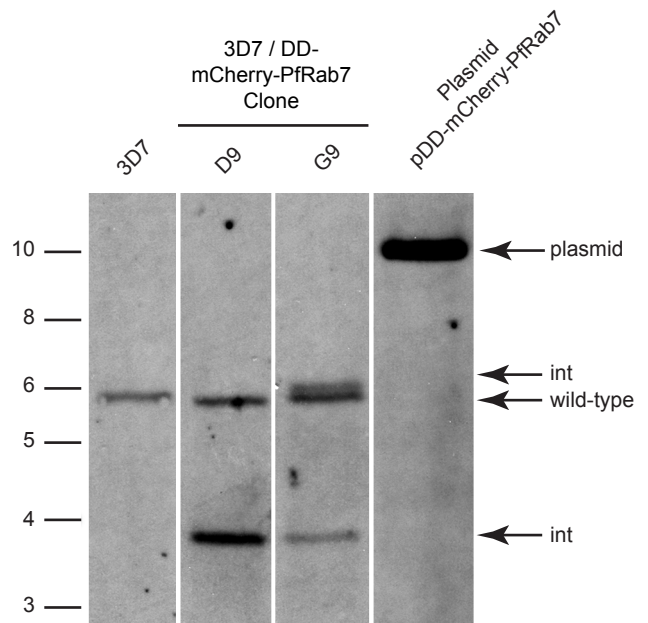
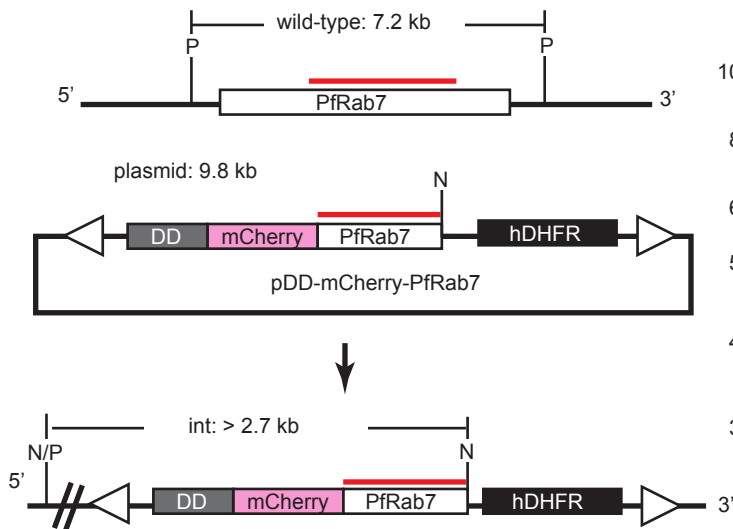


Figure S2. (Continued)

E. PfVps35-HA

H = HindIII

