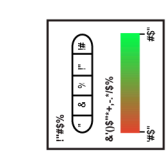
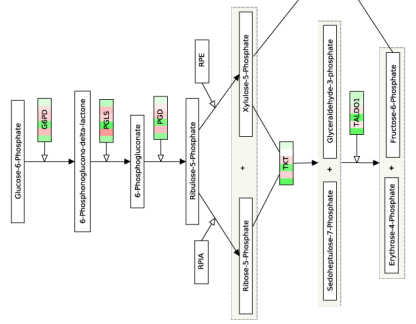
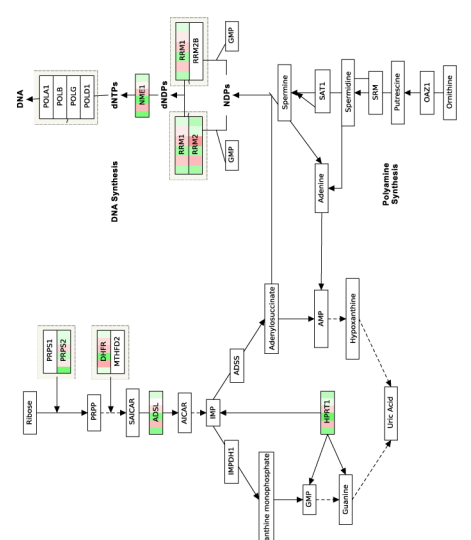


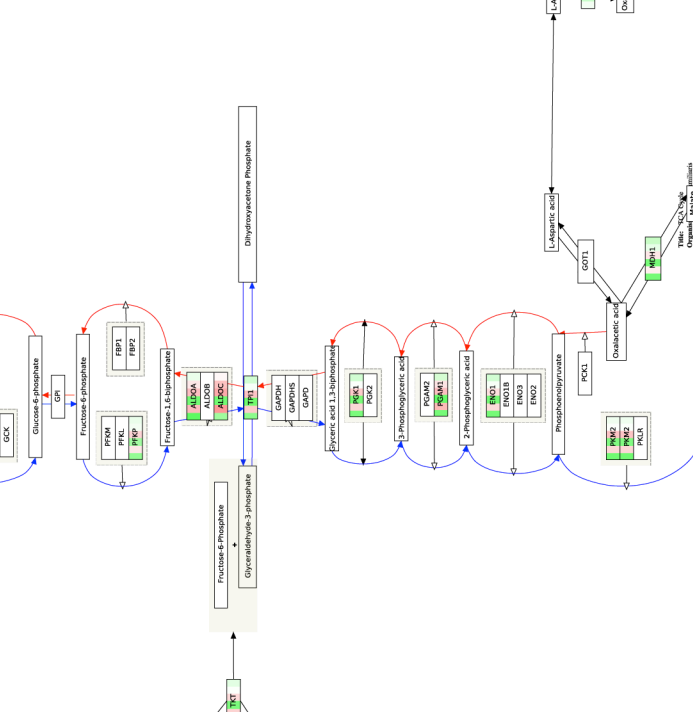
(Excess Monophosphate Shunt or Phosphogluconate Pathway)



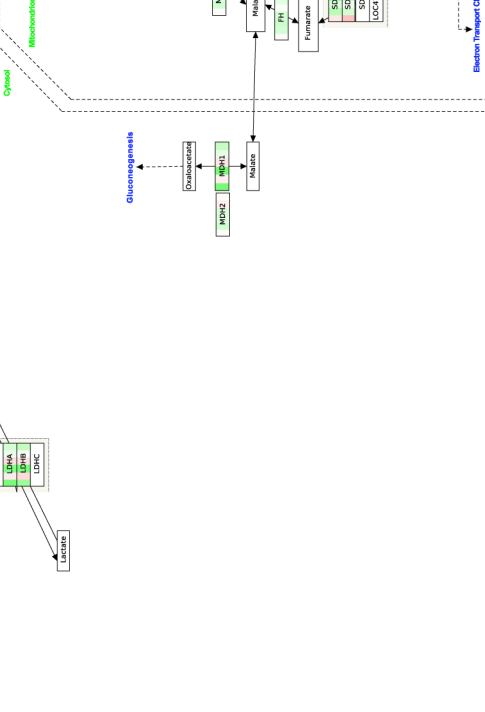
Nucleotide Biosynthesis



Glycolysis
↓
Gluconeogenesis



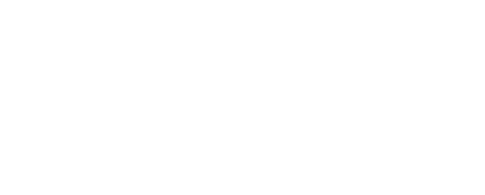
Glyoxylate



Cyoxol



Gluconeogenesis



Degradation of Fatty Acids Containing an Odd Number of Carbons

Degradation of Fatty Acids Containing an Odd Number of Carbons

Degradation of Fatty Acids Containing an Odd Number of Carbons

Degradation of Fatty Acids Containing an Odd Number of Carbons