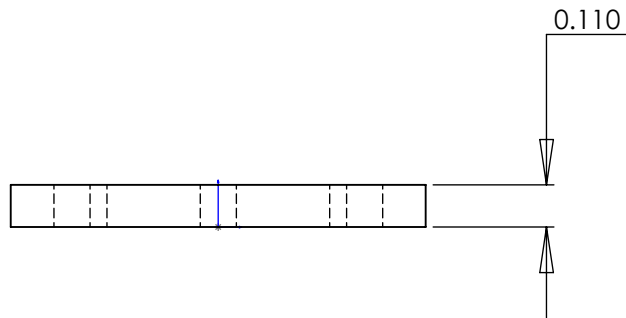
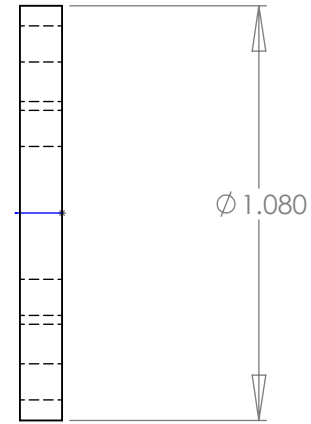
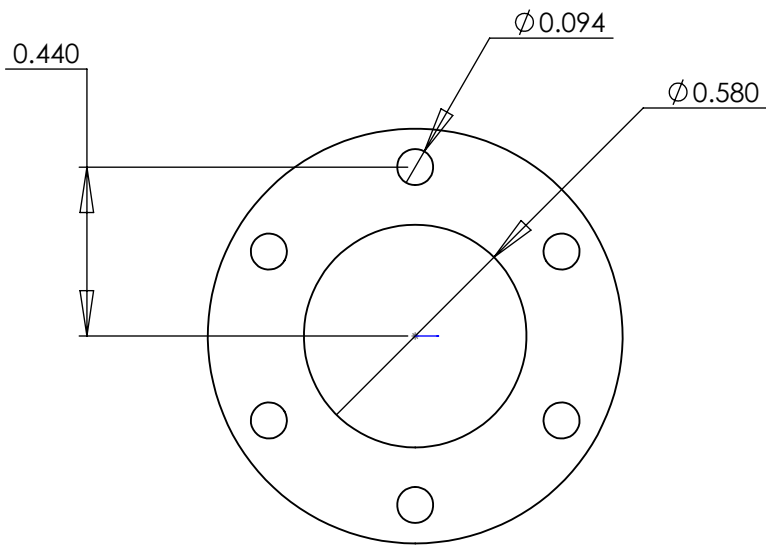


UNLESS OTHERWISE SPECIFIED:		NAME	DATE	<i>NIH</i>	
DIMENSIONS ARE IN INCHES		DRAWN		TITLE: Centrifuge center Holder	
TOLERANCES:		CHECKED			
FRACTIONAL ±		ENG APPR.			
ANGULAR: MACH ± BEND ±		MFG APPR.			
TWO PLACE DECIMAL ±		Q.A.		SIZE	DWG. NO.
THREE PLACE DECIMAL ±		COMMENTS:		A	
INTERPRET GEOMETRIC TOLERANCING PER:				SCALE: 1:1	WEIGHT:
MATERIAL					SHEET 1 OF 1
FINISH					
DO NOT SCALE DRAWING					



UNLESS OTHERWISE SPECIFIED: DIMENSIONS ARE IN INCHES TOLERANCES: FRACTIONAL \pm ANGULAR: MACH \pm BEND \pm TWO PLACE DECIMAL \pm THREE PLACE DECIMAL \pm INTERPRET GEOMETRIC TOLERANCING PER: MATERIAL FINISH DO NOT SCALE DRAWING		NAME	DATE	<i>NIH</i>		
		DRAWN		TITLE: <h1 style="margin: 0;">Ring</h1>		
		CHECKED				
		ENG APPR.				
		MFG APPR.				
	Q.A.			SIZE	DWG. NO.	REV
	COMMENTS:			A		
		SCALE: 2:1	WEIGHT:	SHEET 1 OF 1		