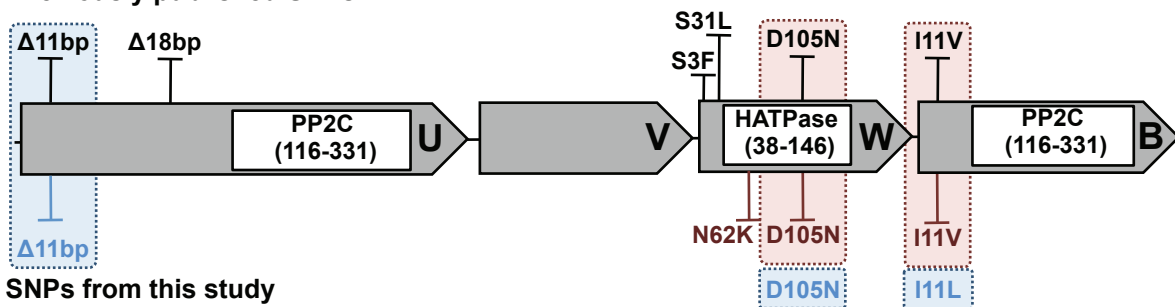
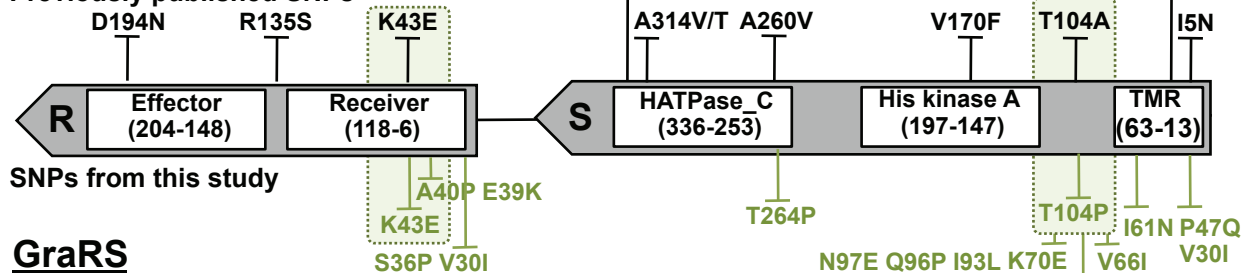


**A**  
**RsbUVW-SigB**

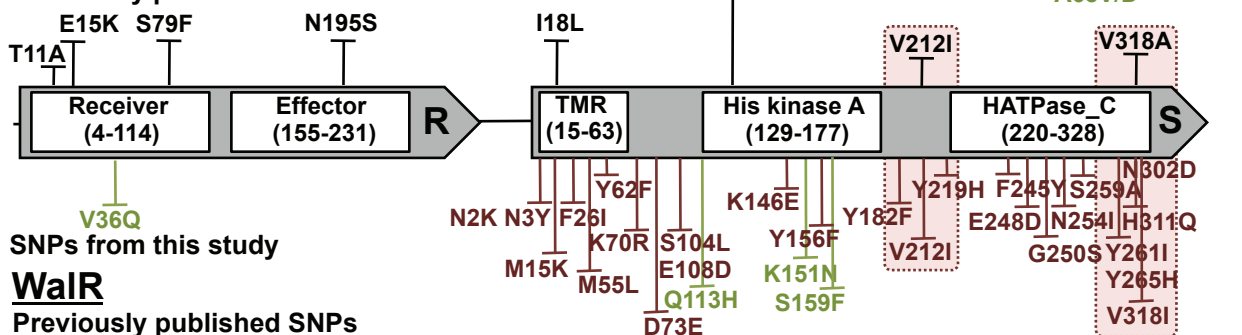
Previously published SNPs

**B**  
**VraRS**

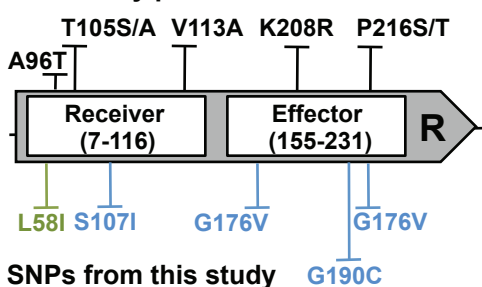
Previously published SNPs

**GraRS**

Previously published SNPs

**WaiR**

Previously published SNPs

**WaiK**

Previously published SNPs

