

Forest type affects the coupled relationships of soil C and N mineralization in the temperate forests of northern China

Quan Quan^{1,2}, Changhui Yip³, Nianpeng He^{2*}, Zhen-jie^{1*}, Xuefa-Yang², Hongxin Su³, Qing Wang¹, Jingyue Xue²

1 Resources and Environment College, Anhui Agricultural University, Hefei 230036, China

2 Key Laboratory of Ecosystem Network Observation and Modeling, Institute of Geographic Sciences and Natural Resources Research, CAS, Beijing 100101, China

3 State Key Laboratory of Vegetation and Environmental Change, Institute of Botany, CAS, Beijing 100093, China

Corresponding author: He N.P., Zhang Z.

E-mail: henp@igsnr.ac.cn; xjzhangzhen@163.com;

Tel: +86 10 64889040; Fax: +86 10 64889432.

(Quan Q and Wang CH contributed equally)

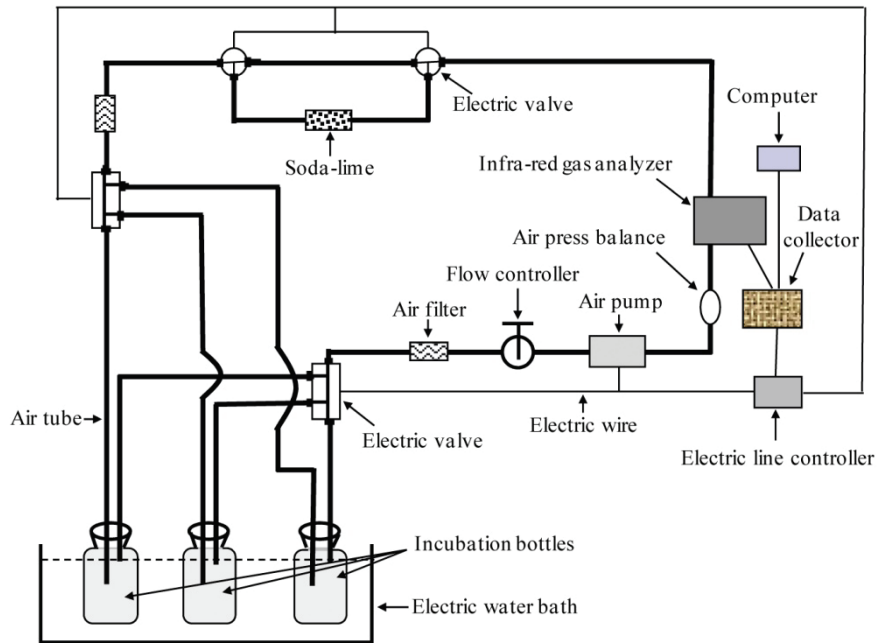


Figure S1 Sketch configuration of the automatic measurement system for soil microbial respiration