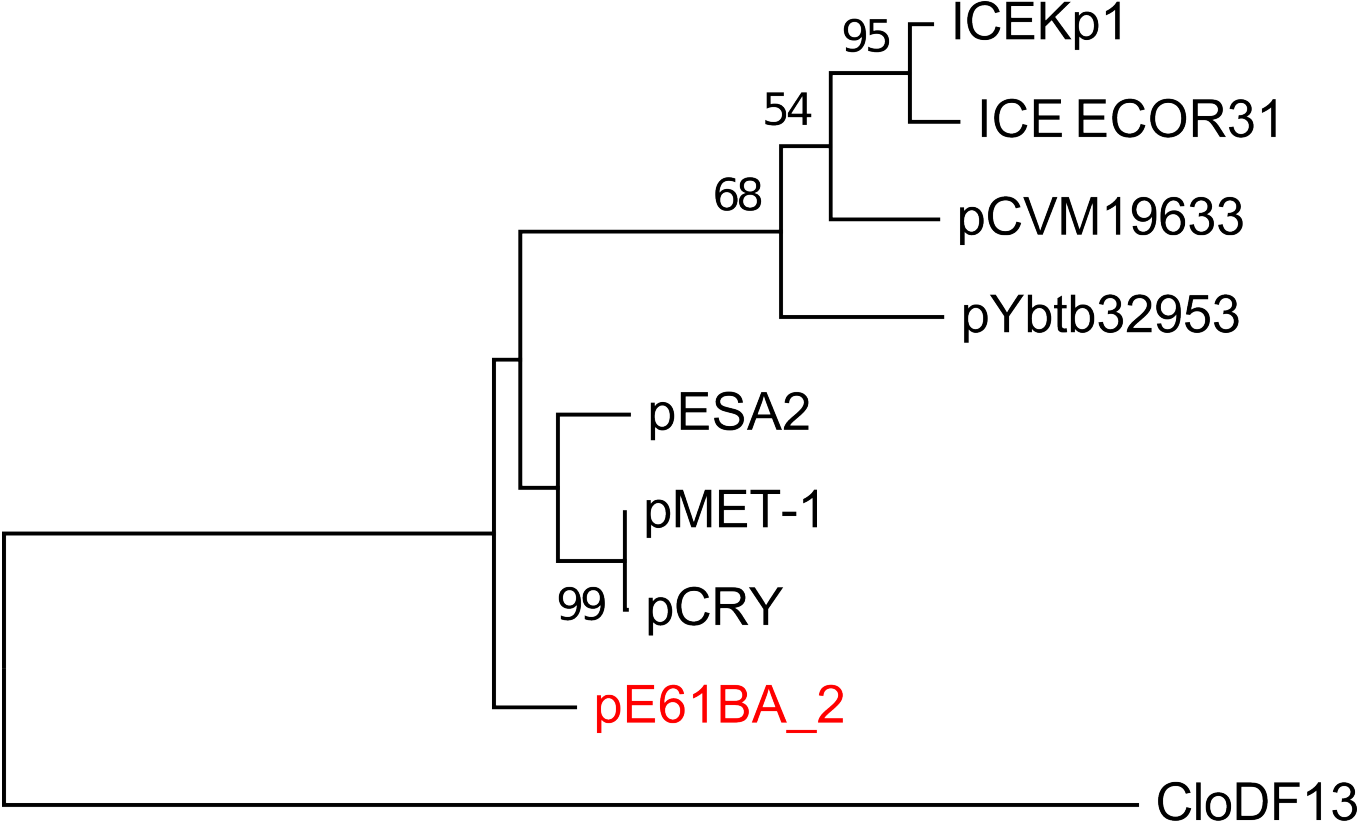


Figure S17A



H
0.1

Figure S17B

