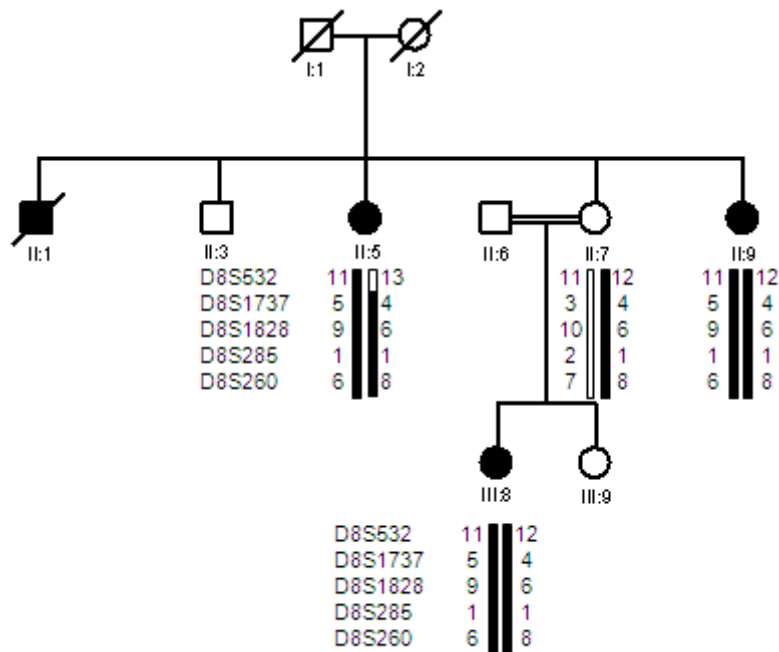


## ADDITIONAL FILES



**Additional file 2. Haplotypes of available DNA samples of the arRP family branch using microsatellite markers flanking *RPI*.** The risk haplotype is shown in black, and alleles that do not cosegregate with RP are marked in white. Recombination events implicating the marker D8S532 were observed in patient II:5.