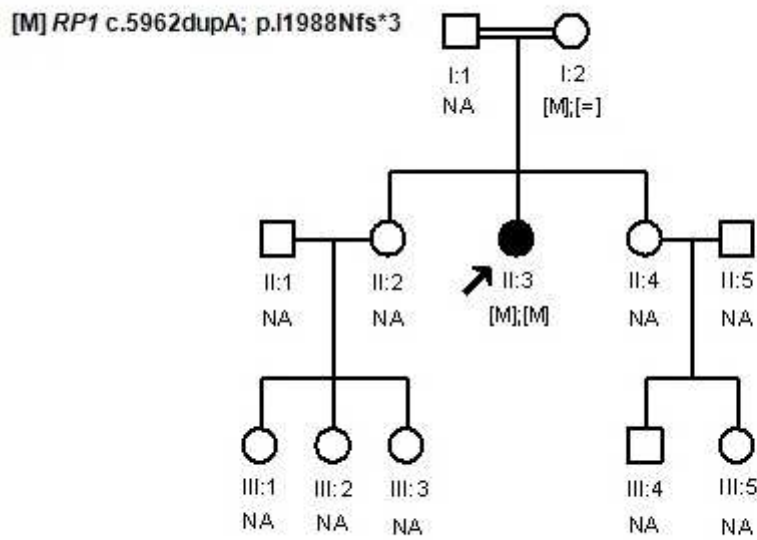


### ADDITIONAL FILES



**Additional file 3.** Pedigree showing segregation of the mutation c.5962dupA of *RP1* in available family members. [M];[M]: Homozygous, [M];[=]: Heterozygous; NA: Not available.