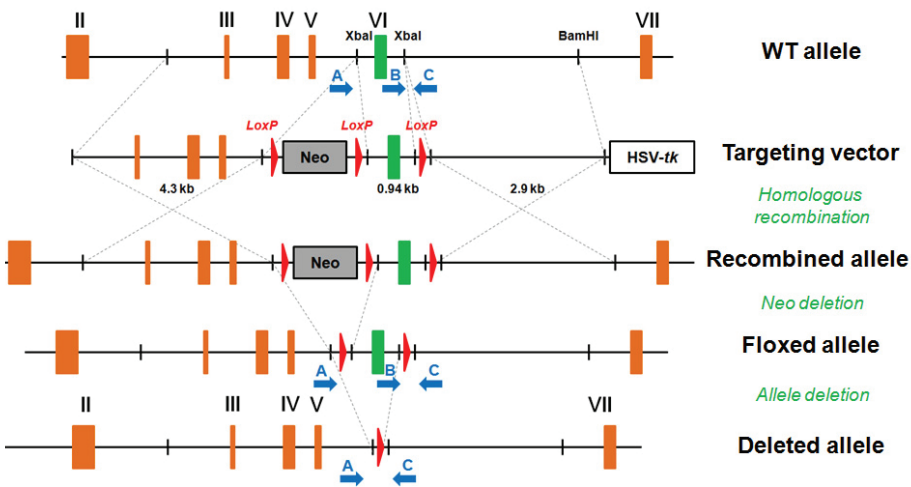


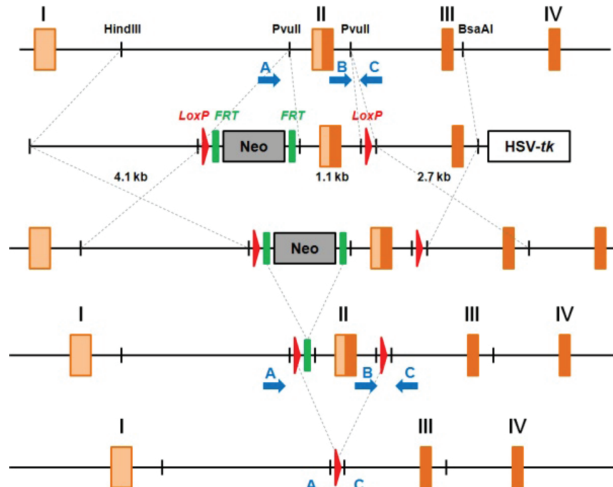
Supplementary figure 1

A

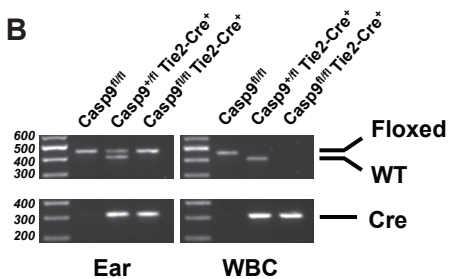
Caspase-9



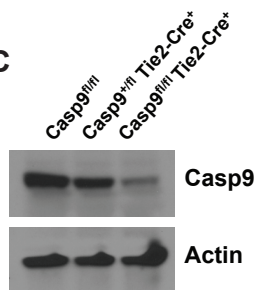
Caspase-3



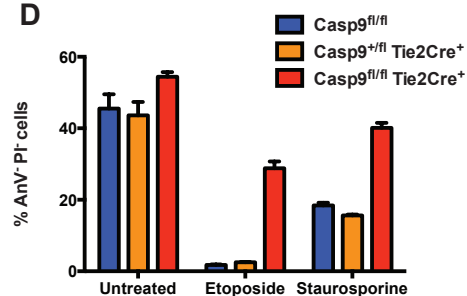
B



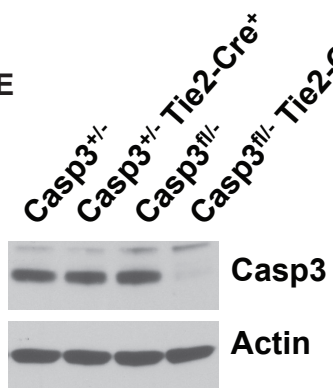
C



D



E



F

