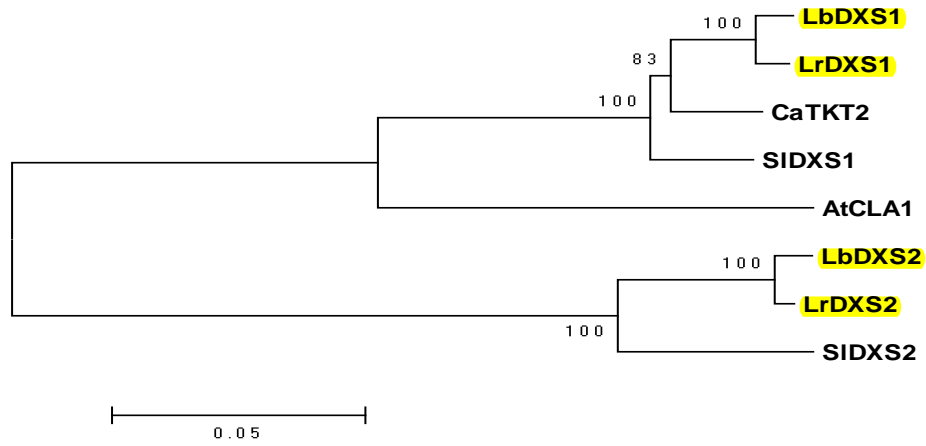
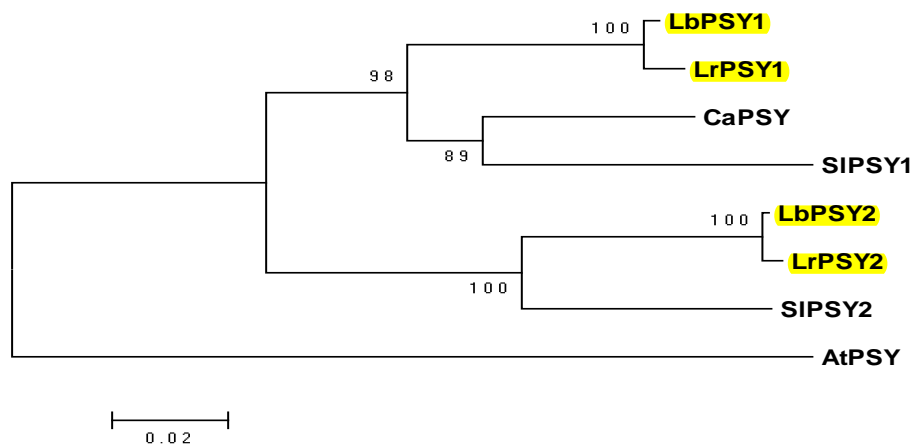


Additional File 4 - Phylogenetic trees for the carotenogenesis-related proteins from *L. barbarum* (Lb), *L. ruthenicum* (Lr) and other organisms.

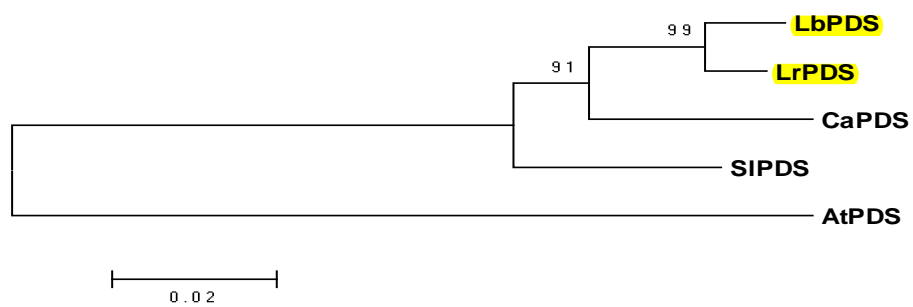
(a)



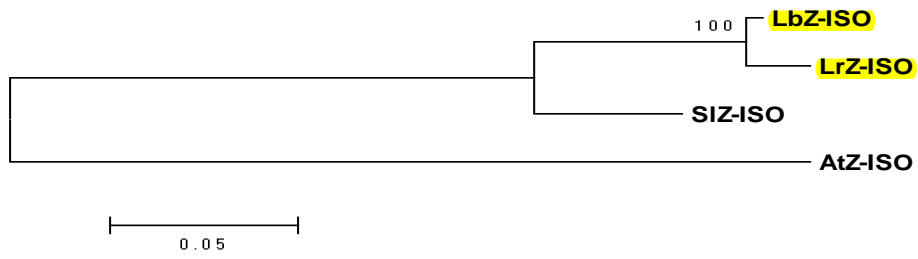
(b)



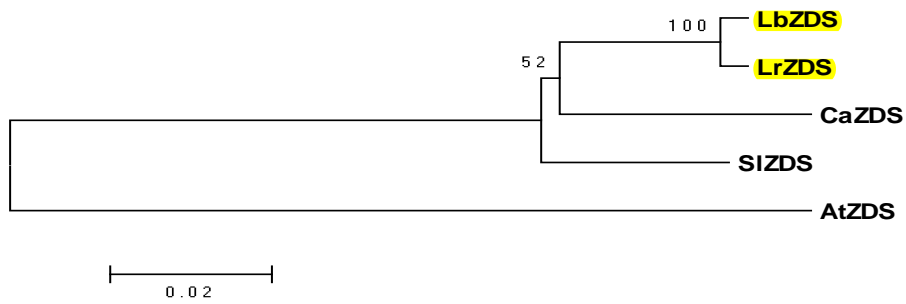
(c)



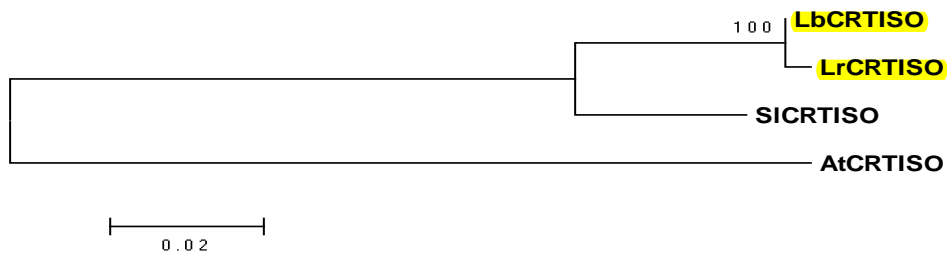
(d)



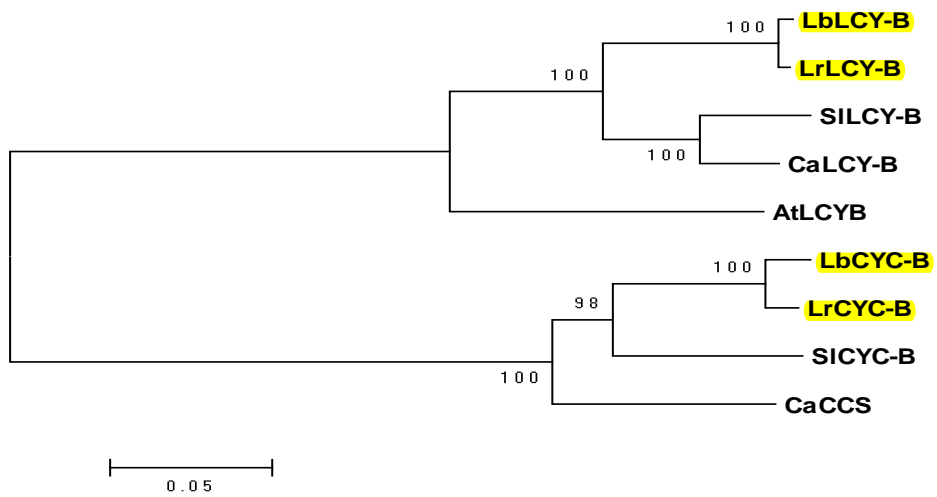
(e)



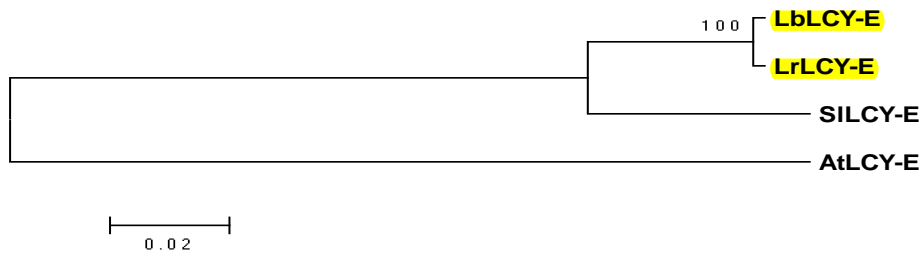
(f)



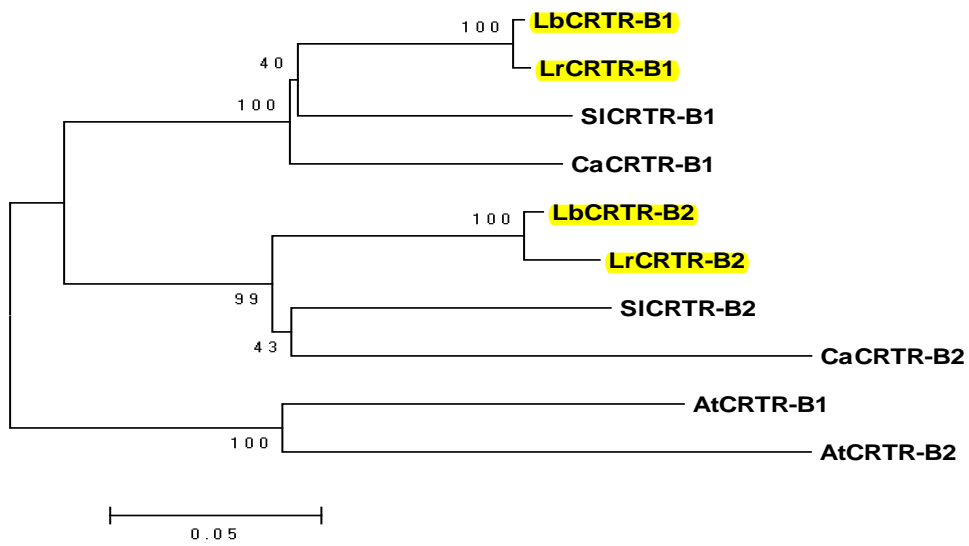
(g)



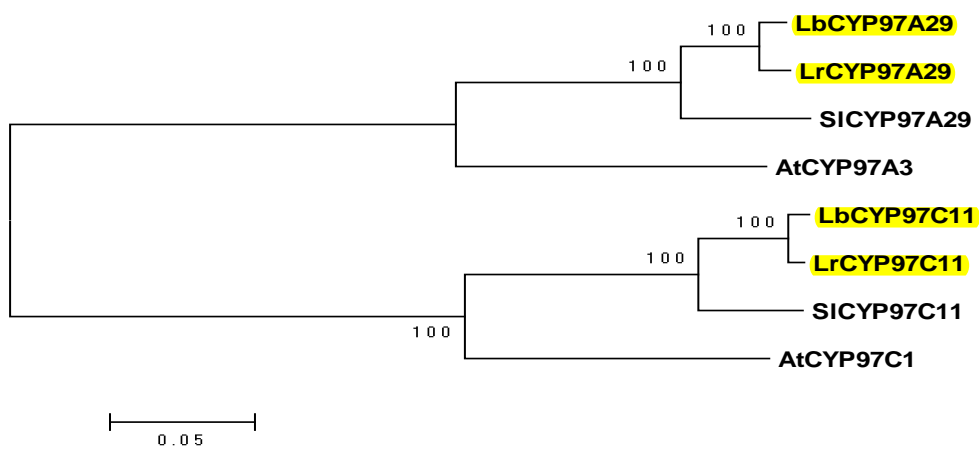
(h)



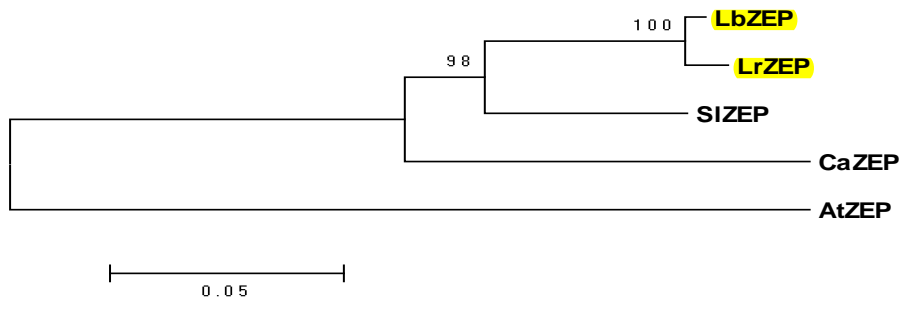
(i)



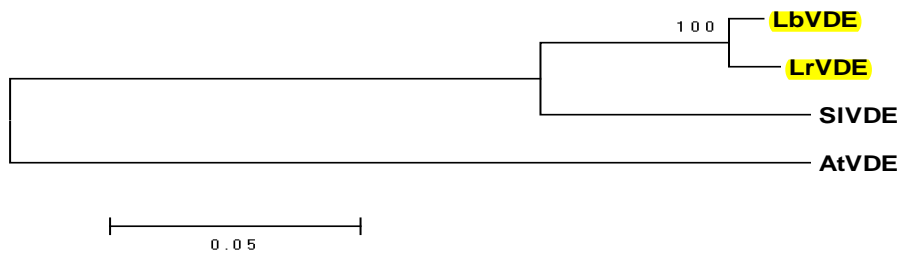
(j)



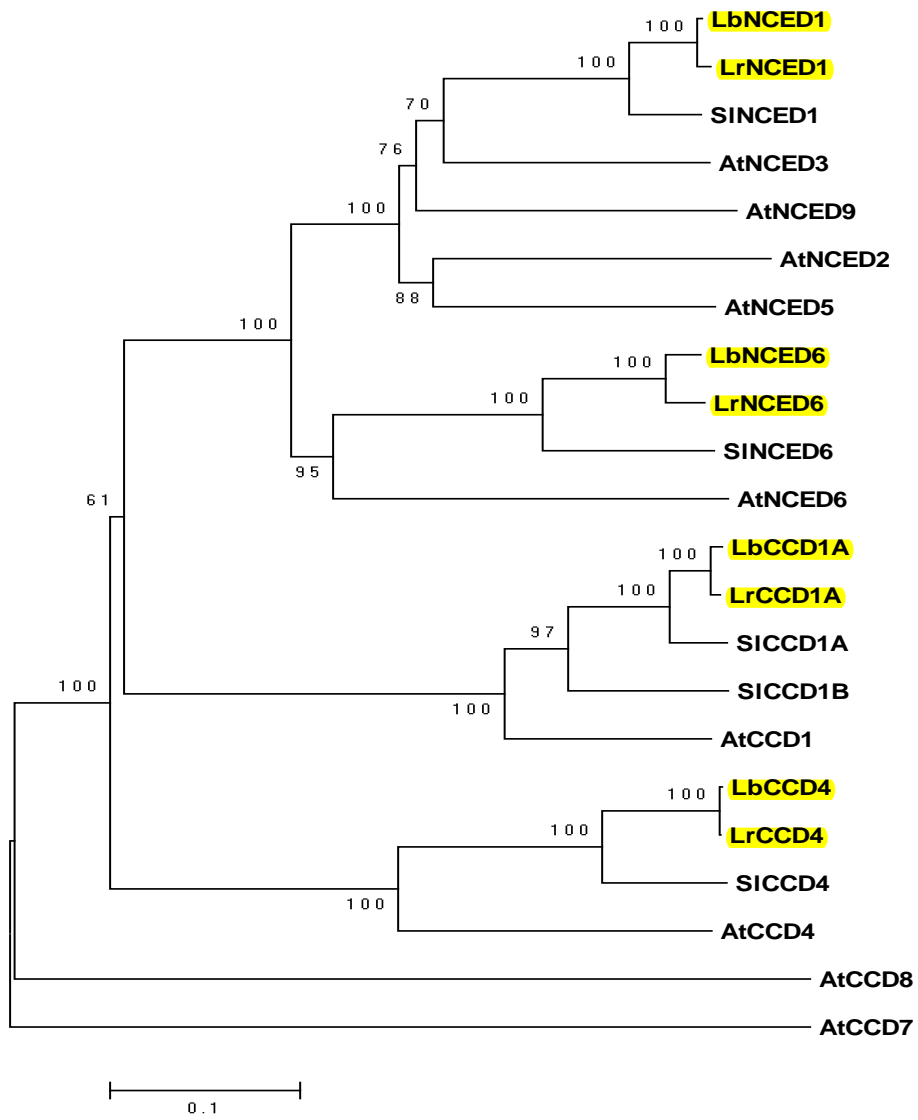
(k)



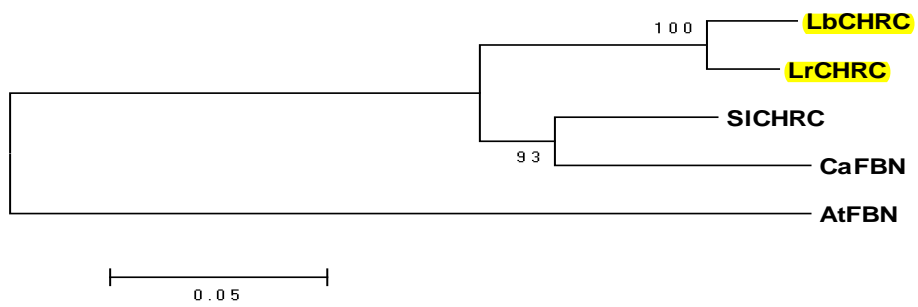
(l)



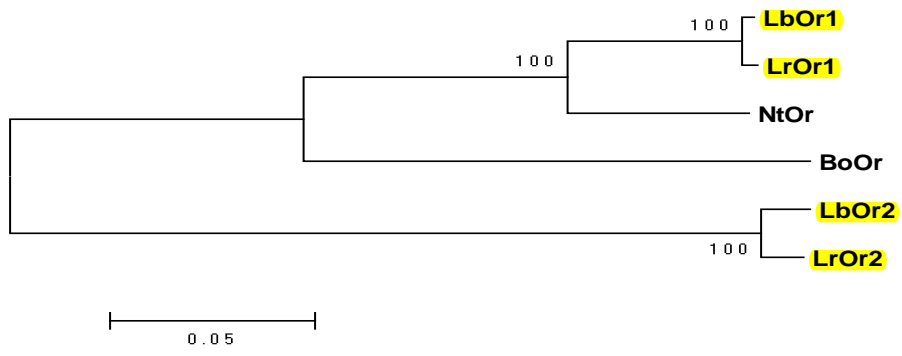
(m)



(n)



(o)



(p)

