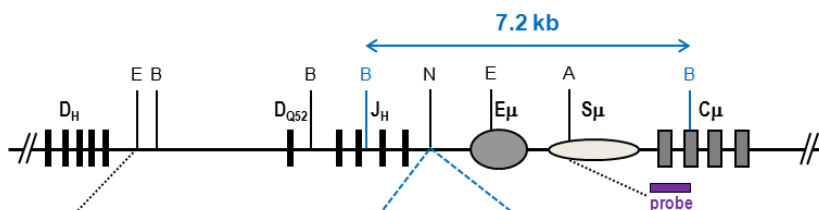
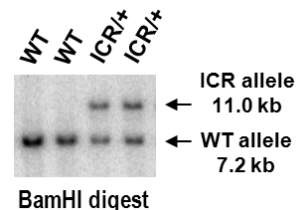
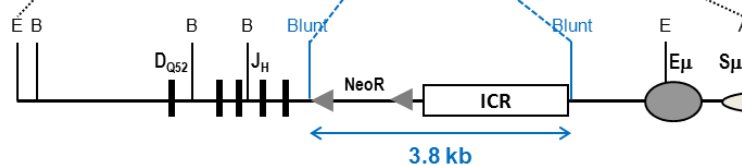


A

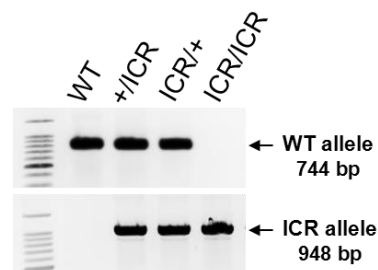
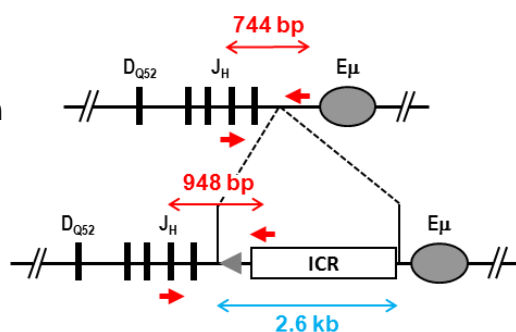
WT locus



ICR targeting construct

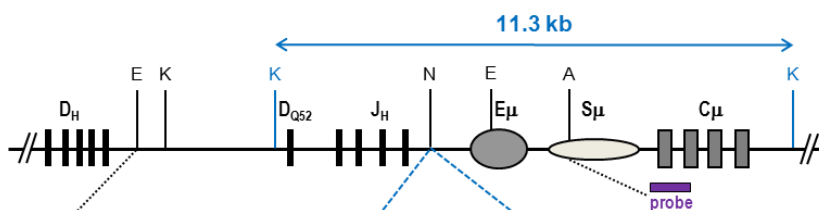


Homologous Recombination and Cre/loxP-mediated deletion of NeoR

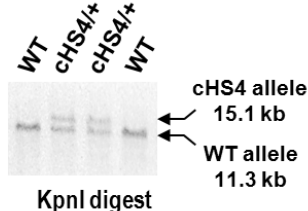
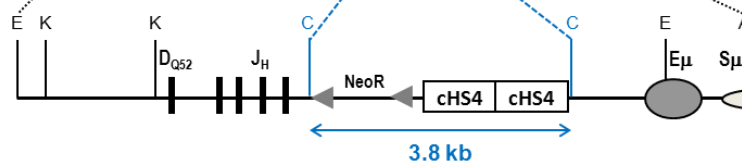


B

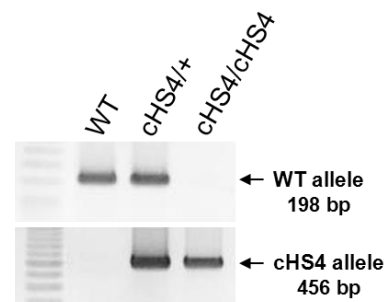
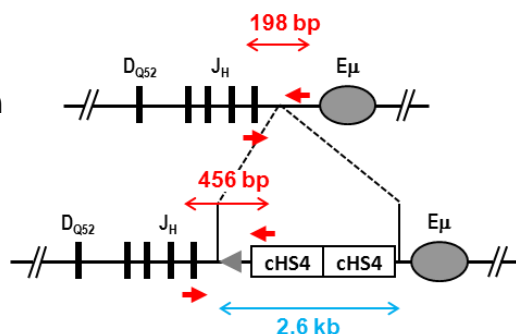
WT locus

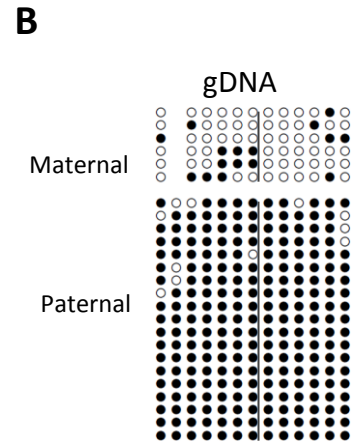
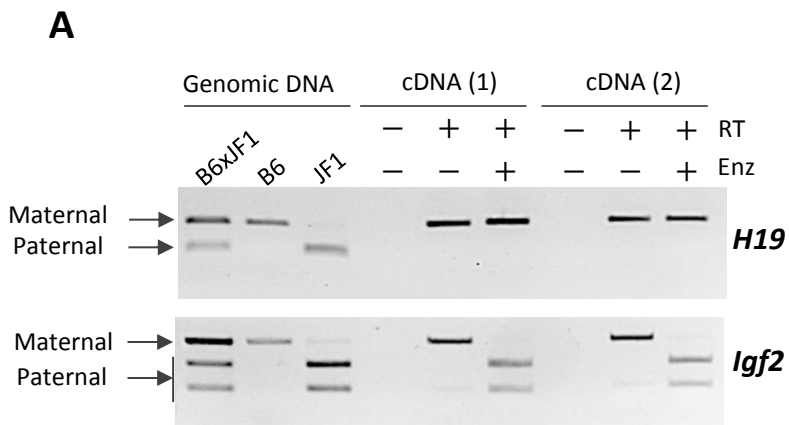


cHS4 targeting construct

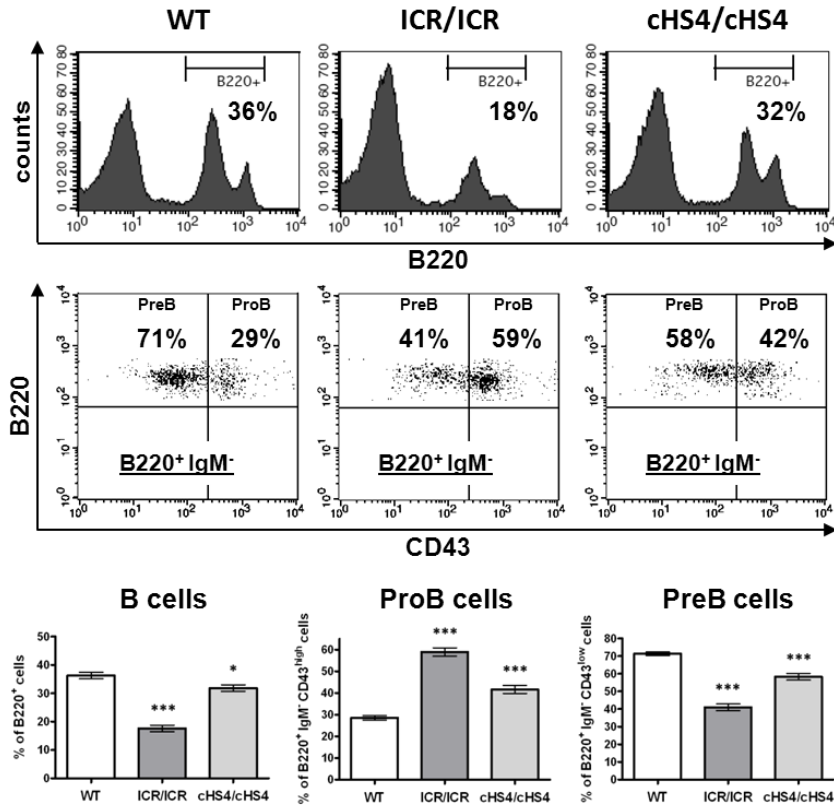


Homologous Recombination and Cre/loxP-mediated deletion of NeoR





A Bone Marrow



B Spleen

