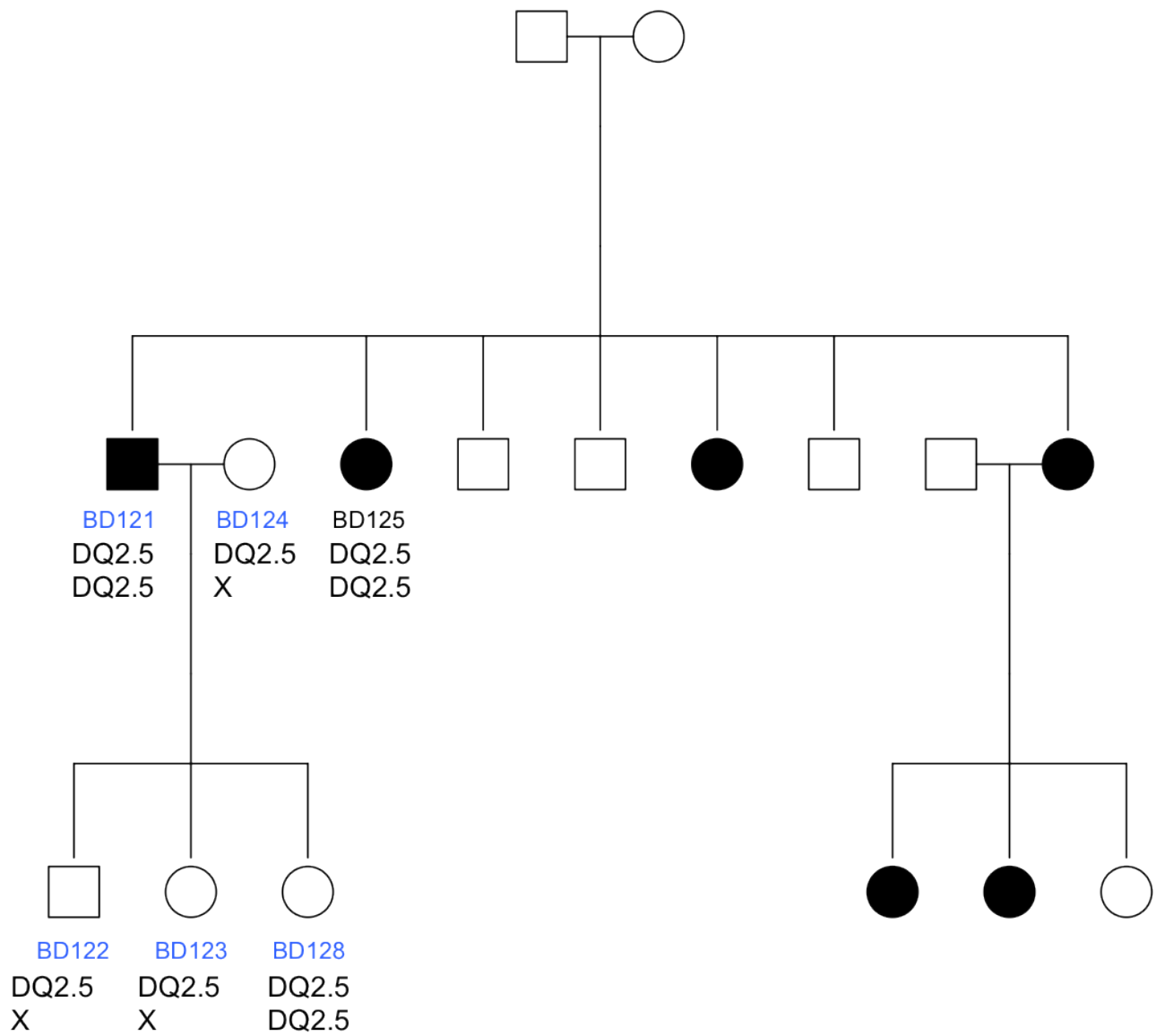
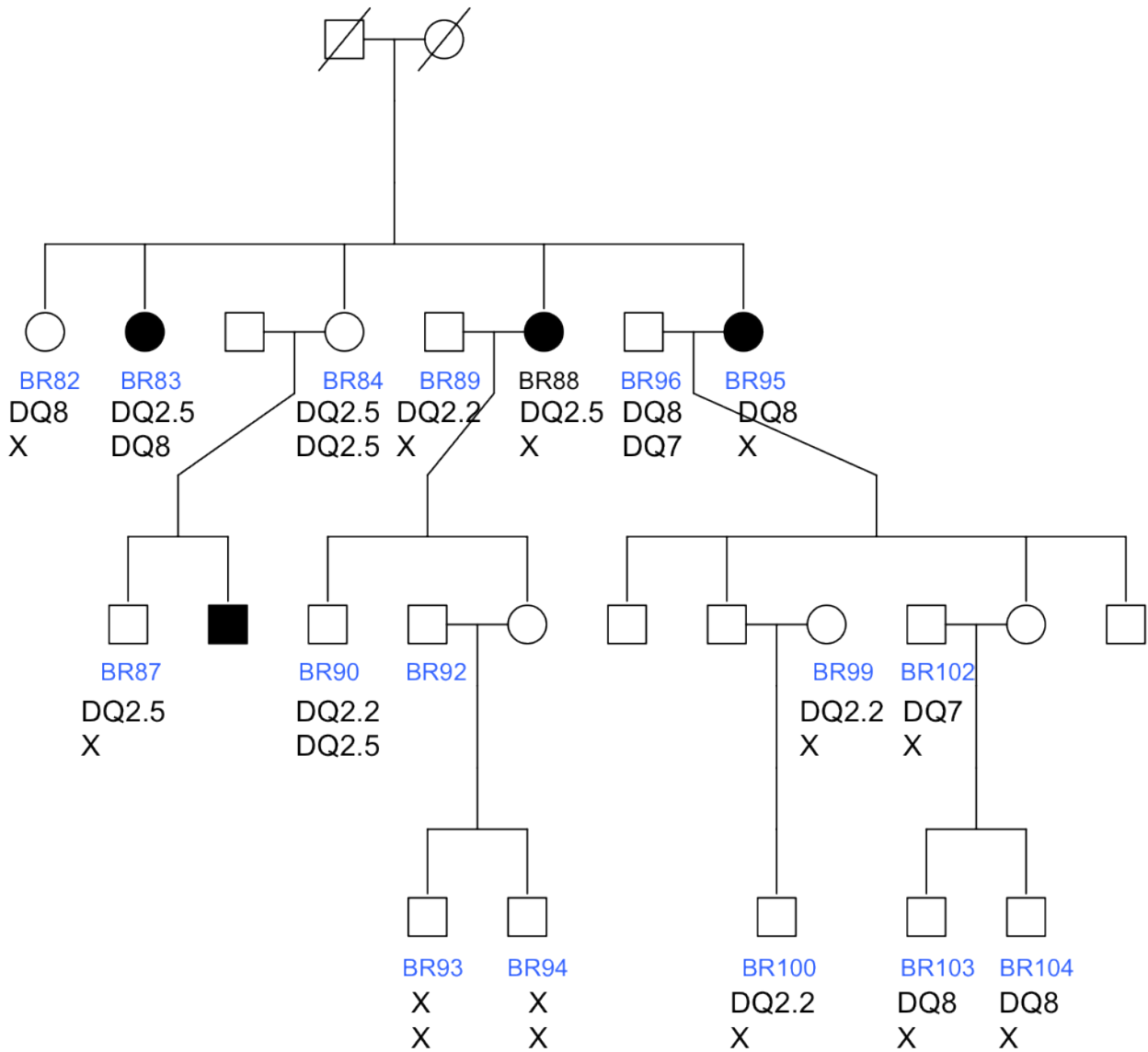


Figure S3. Pedigree structures with HLA genotypes for twelve CeD pedigrees

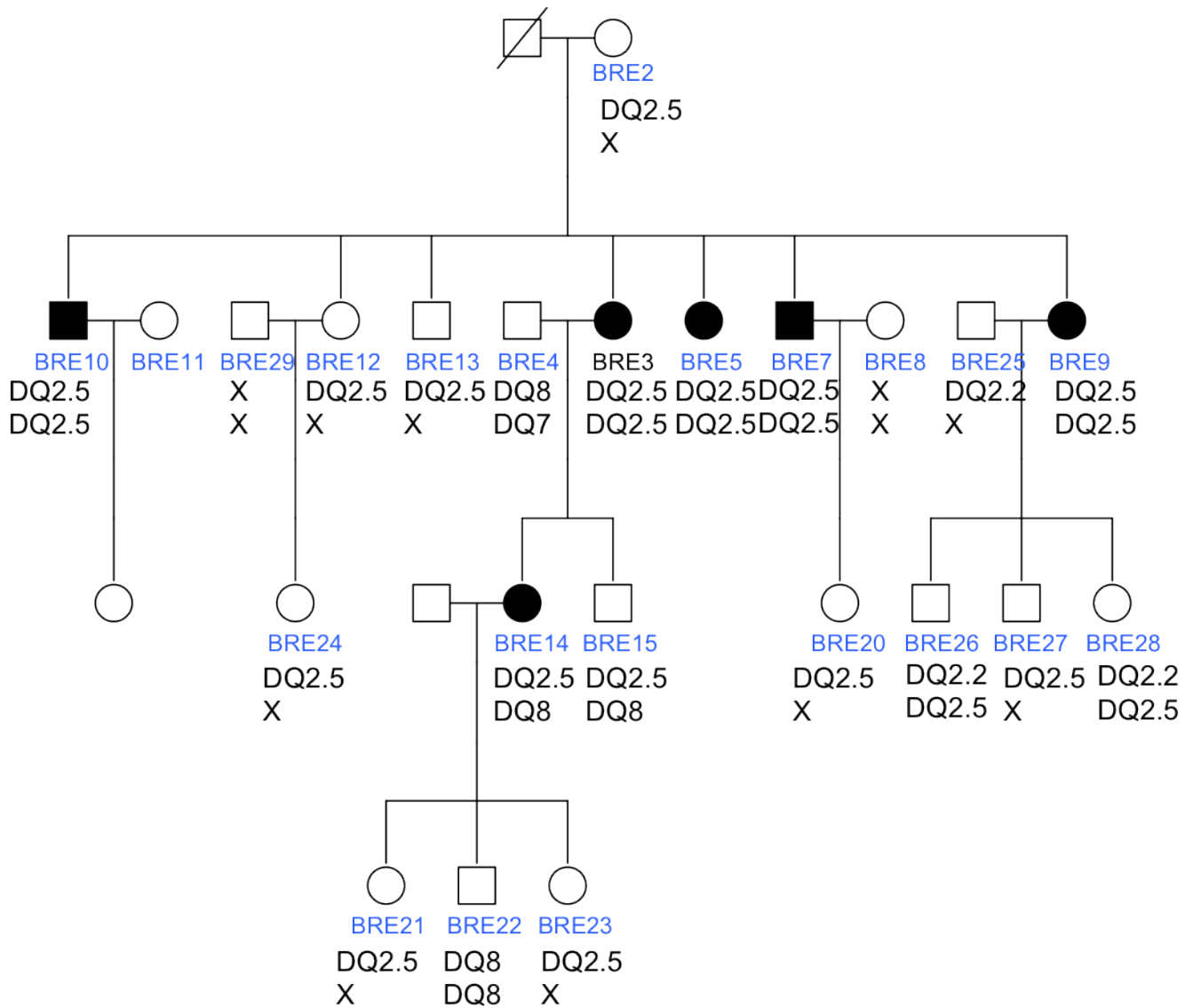
Family BD



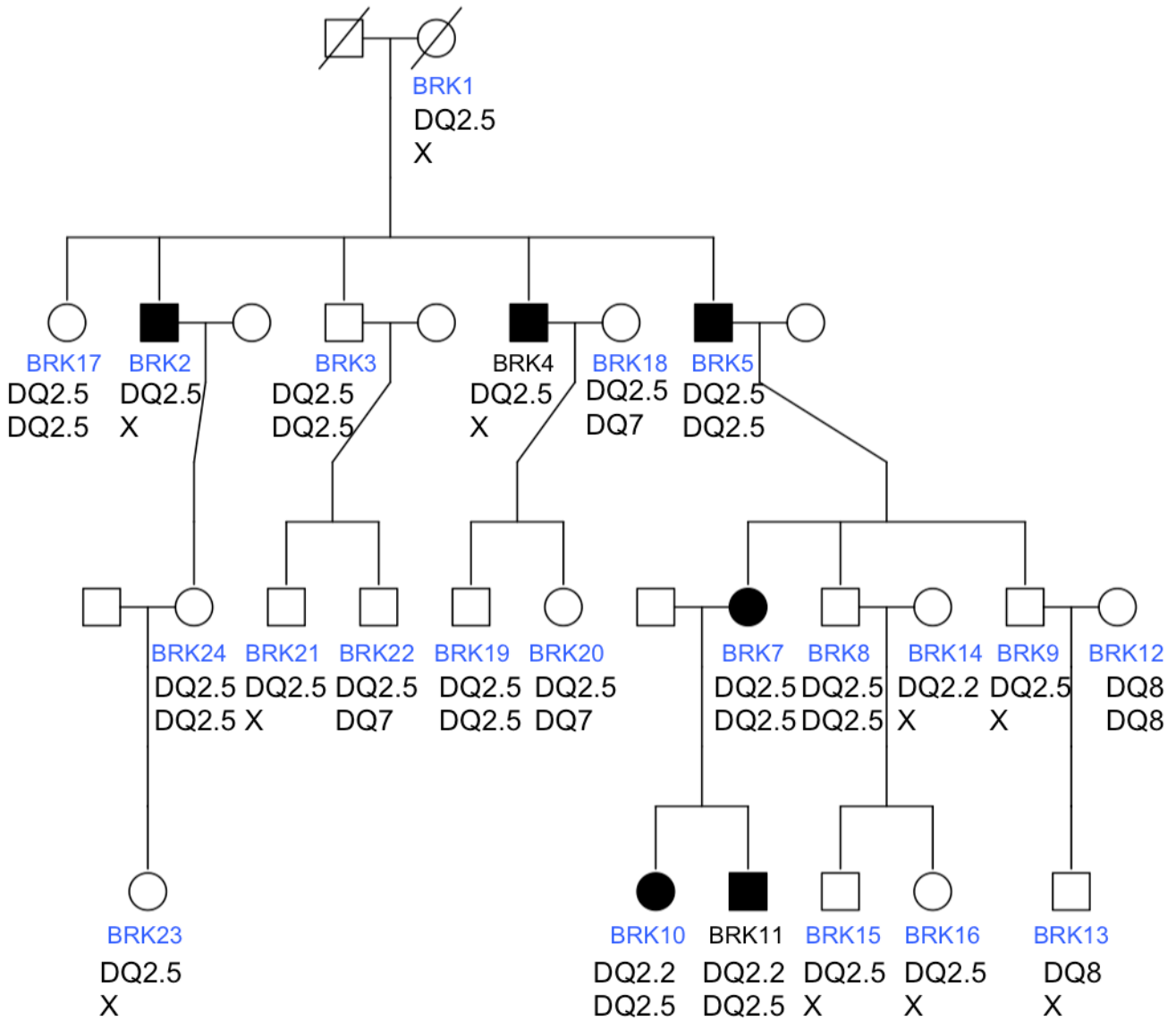
# Family BR



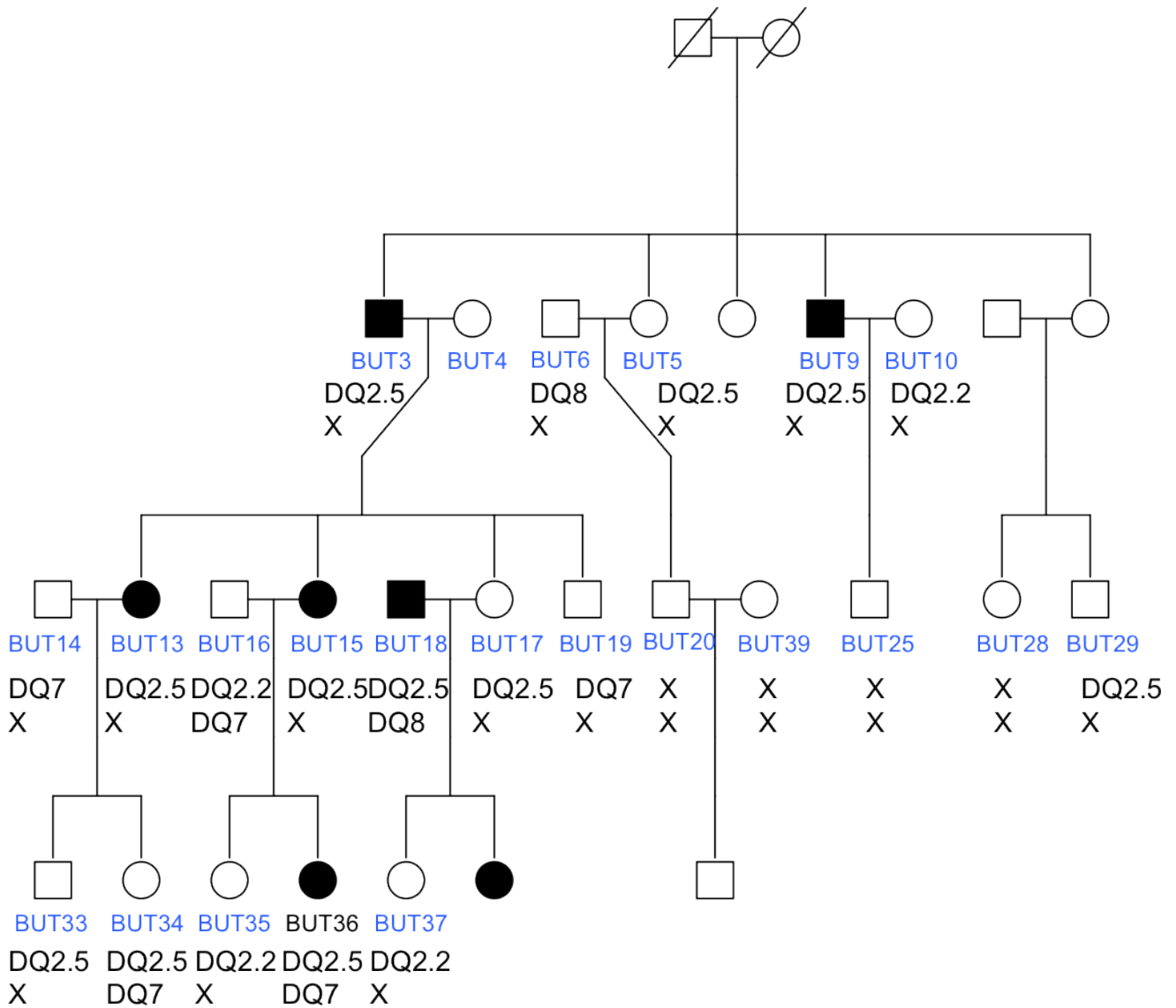
# Family BRE



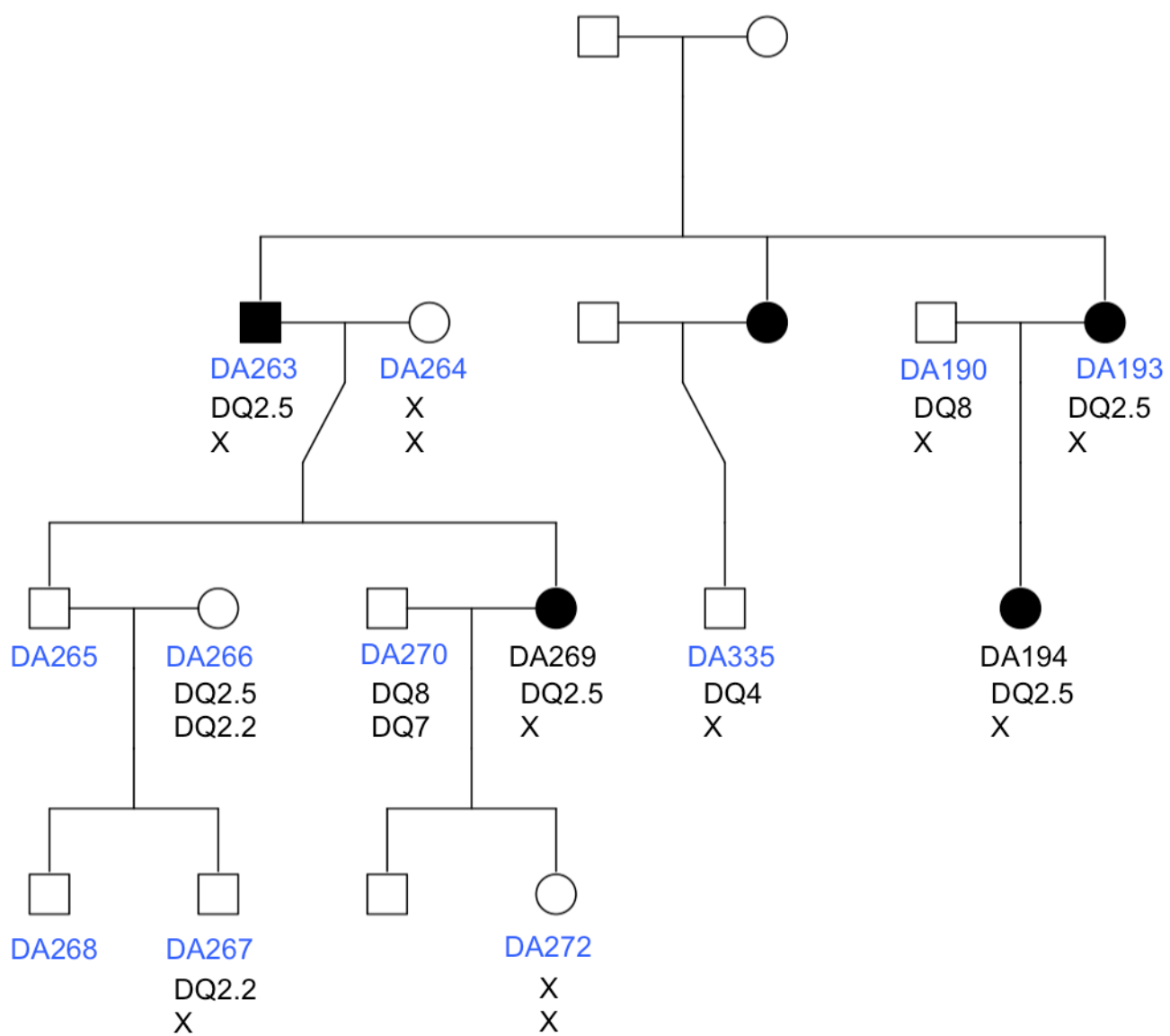
Family BRK



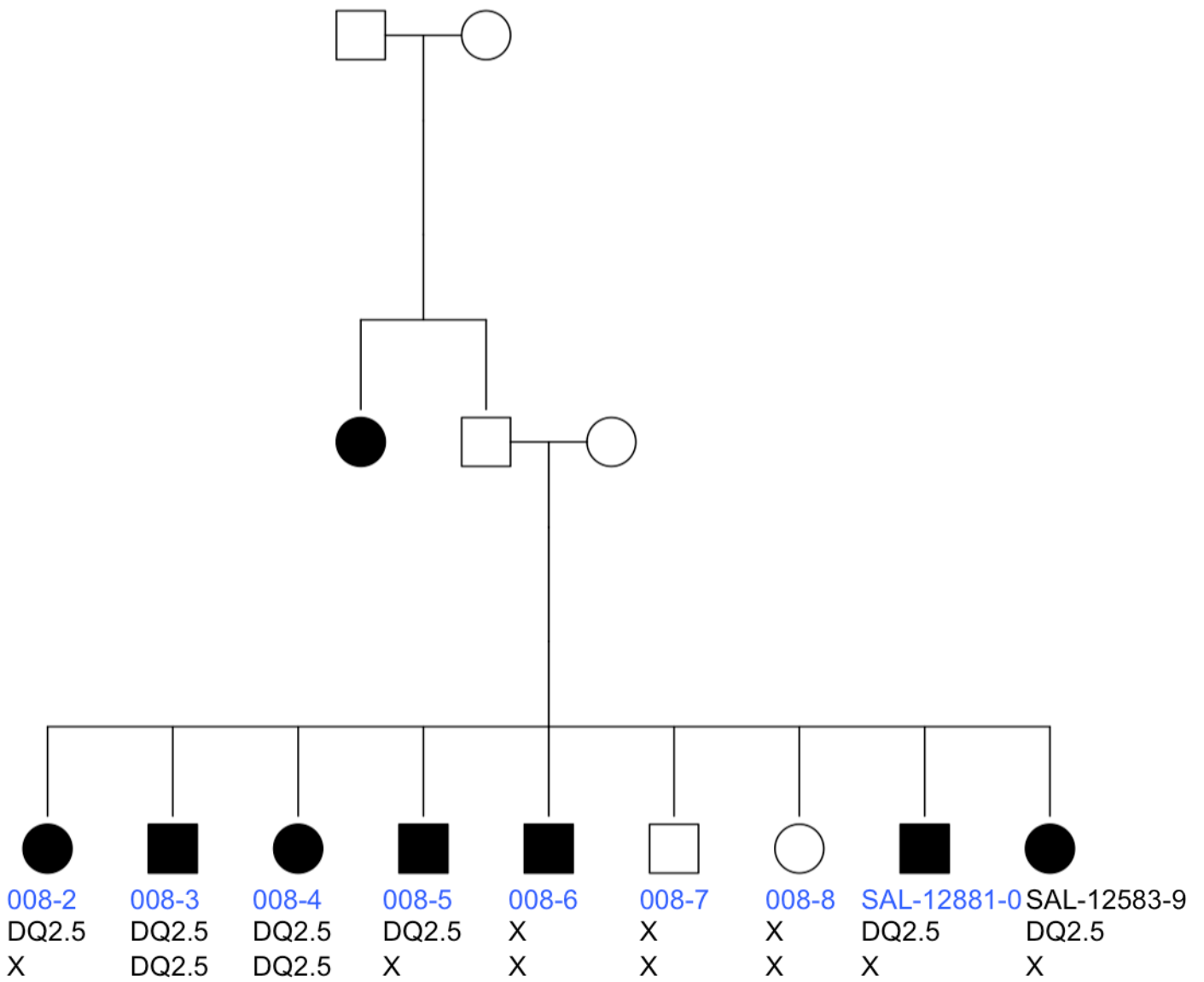
# Family BUT



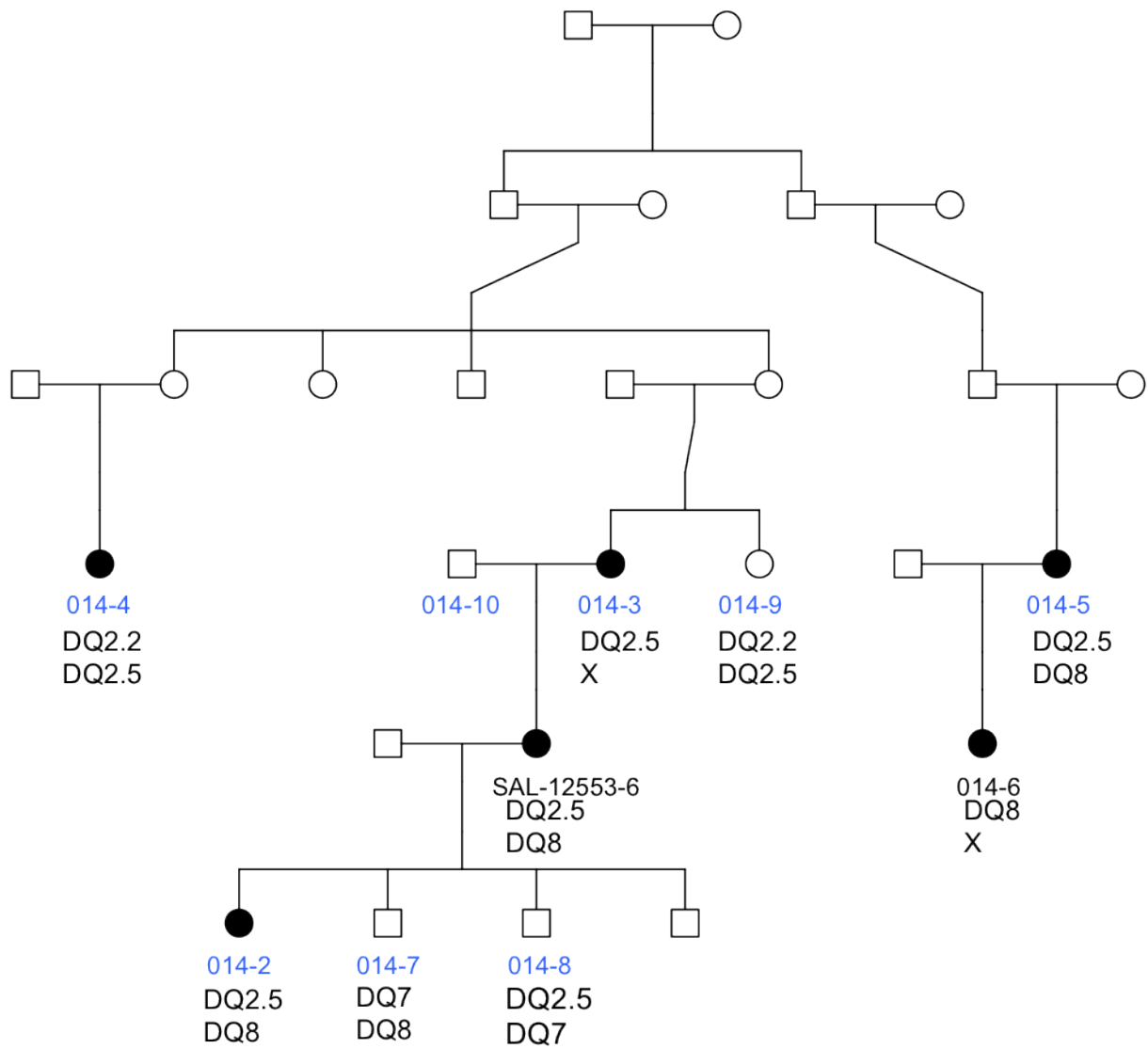
Family DA



Family 008

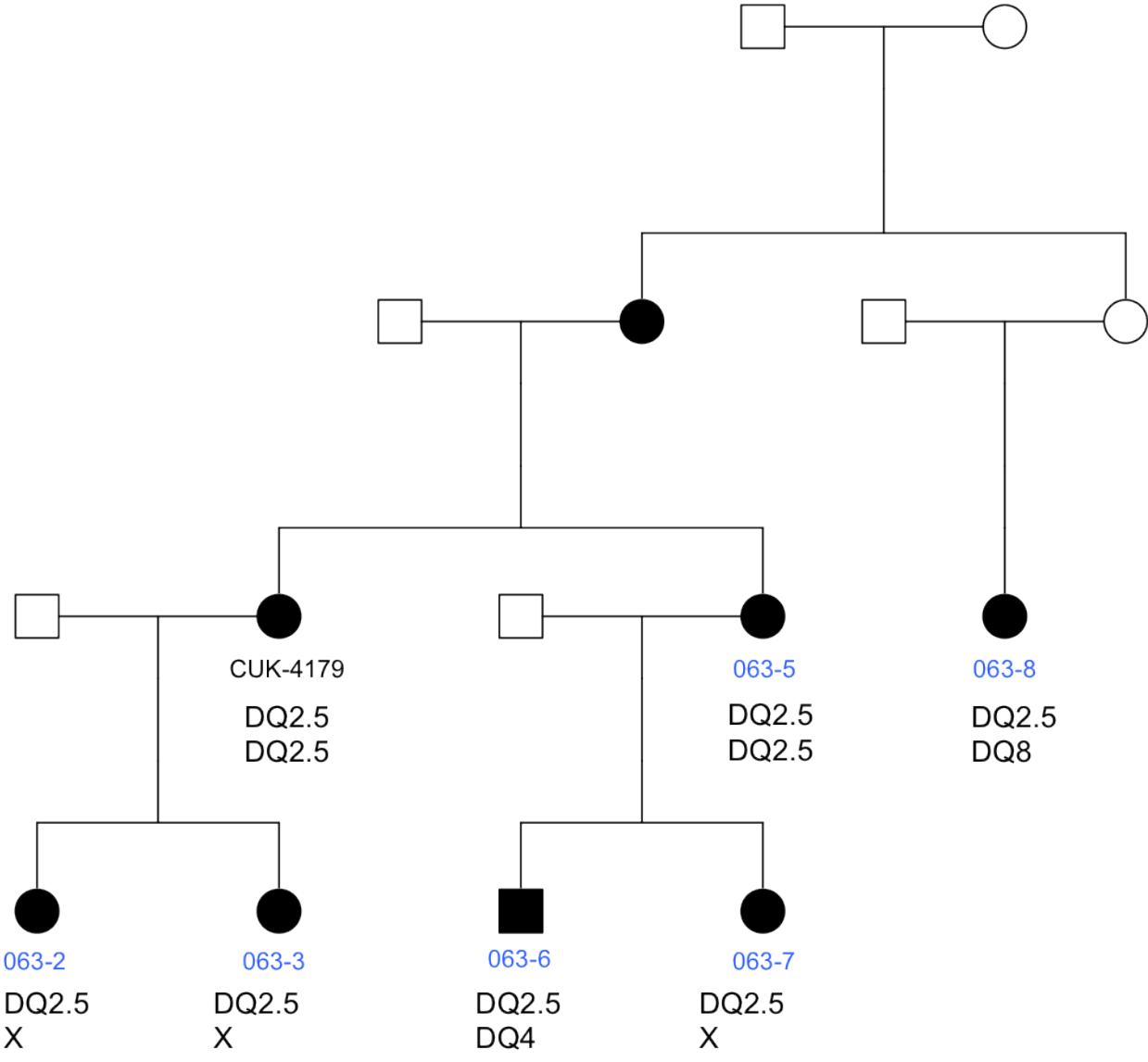


Family 014

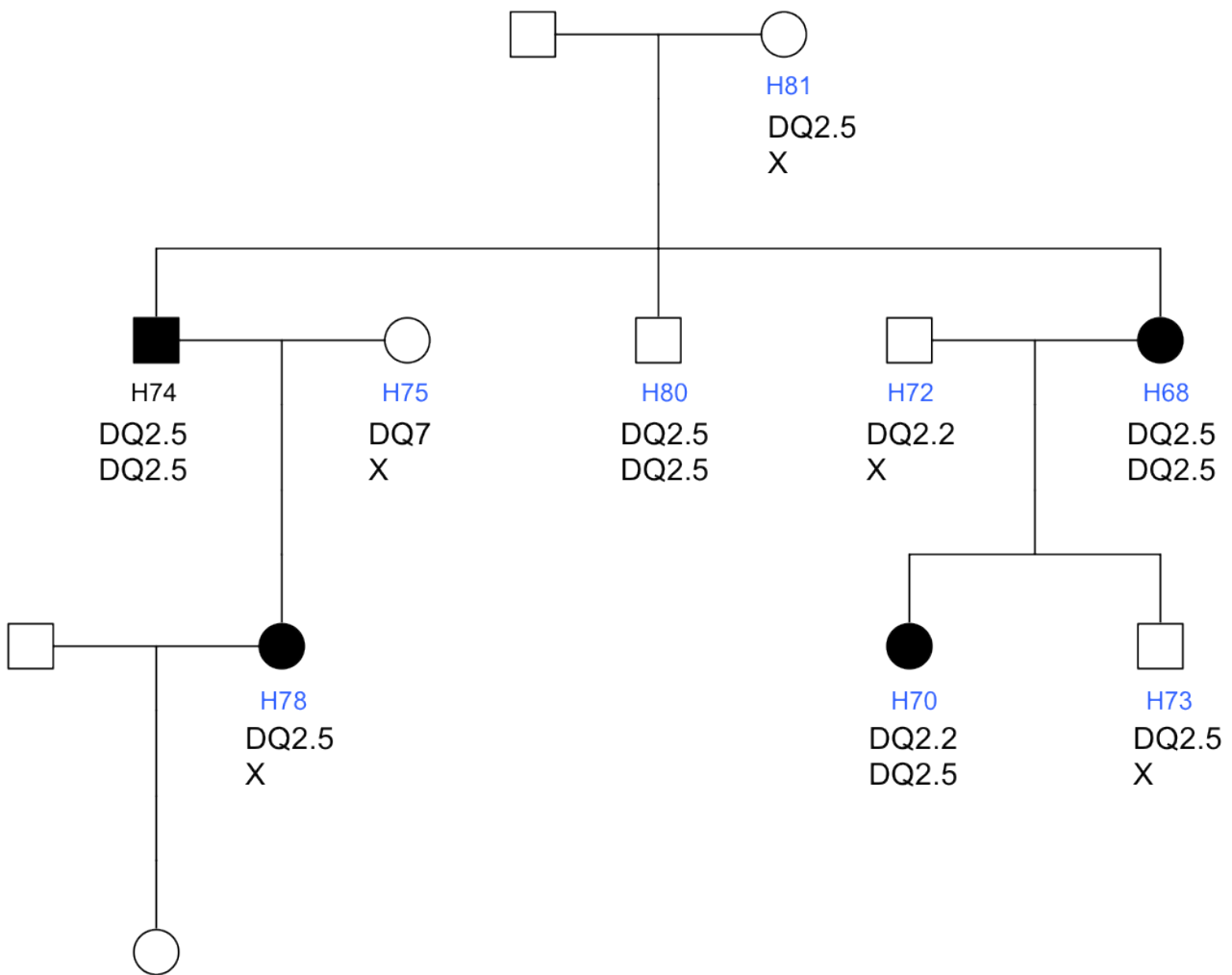




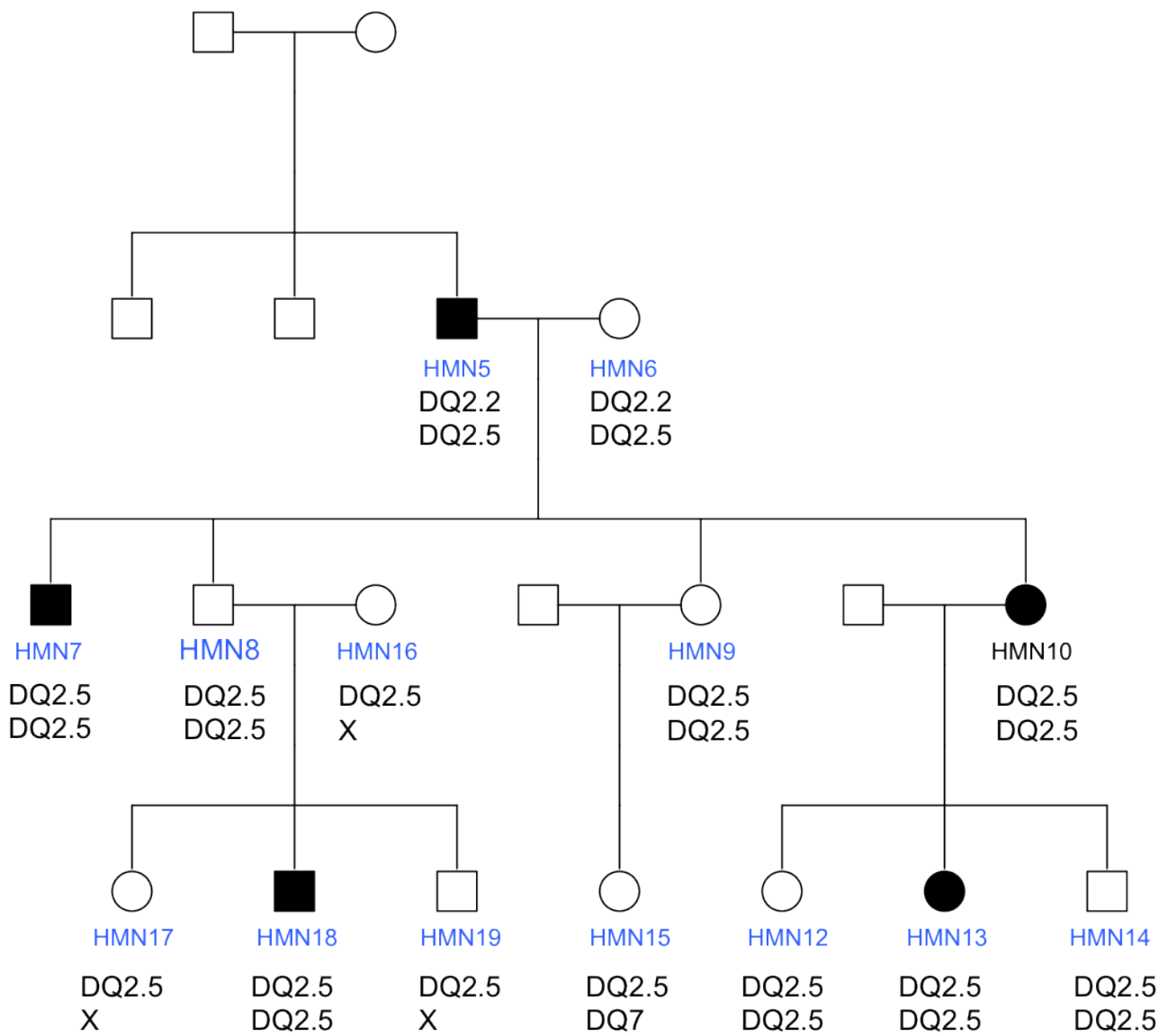
Family 063



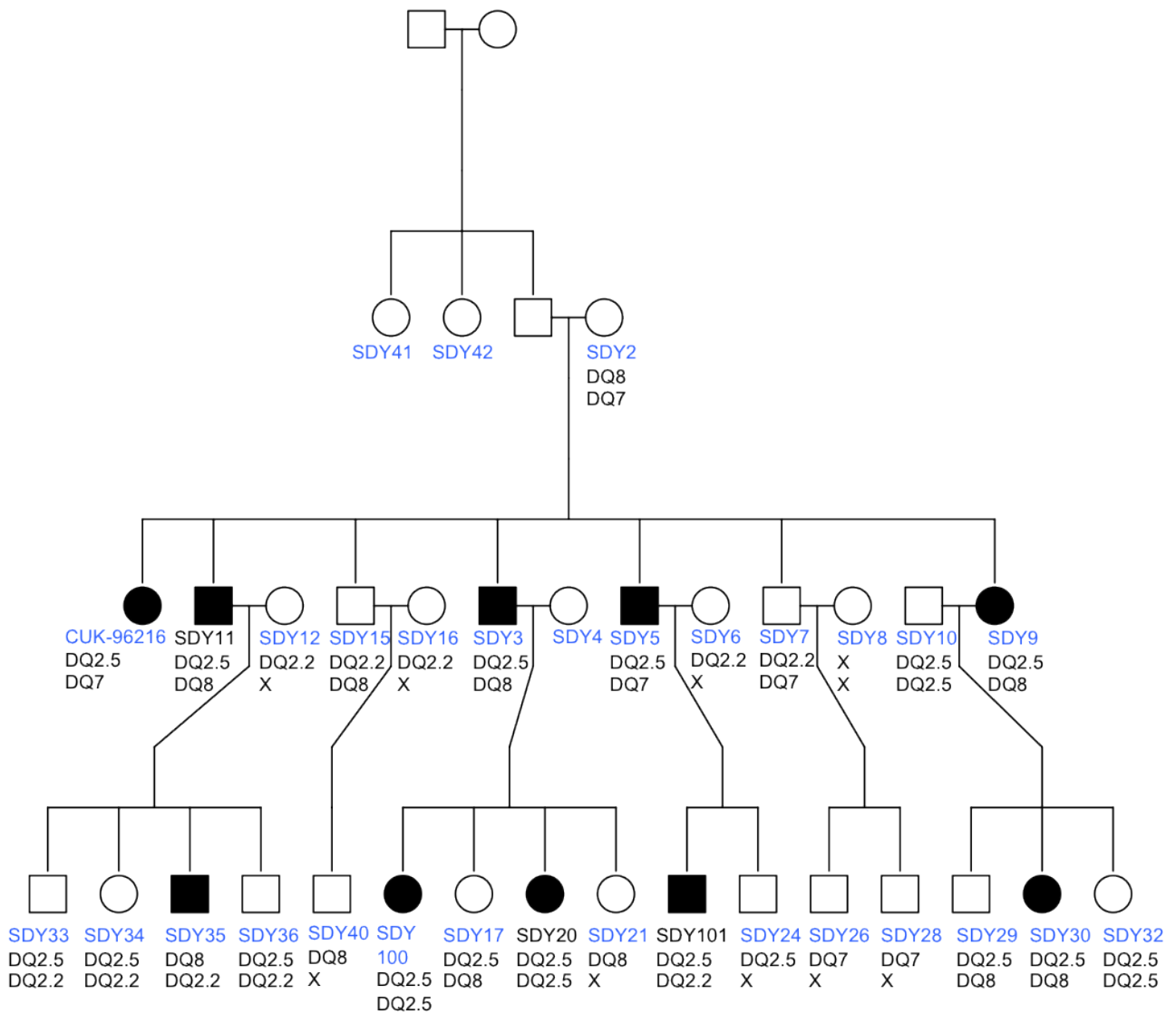
Family H



# Family HMN



## Family SDY



All subjects were genotyped on the Illumina ImmunoChip array. Sample names in black were exome sequenced. Sample names in blue were included in the linkage test. HLA genotypes are shown below the sample name. X denotes 'other genotype'.