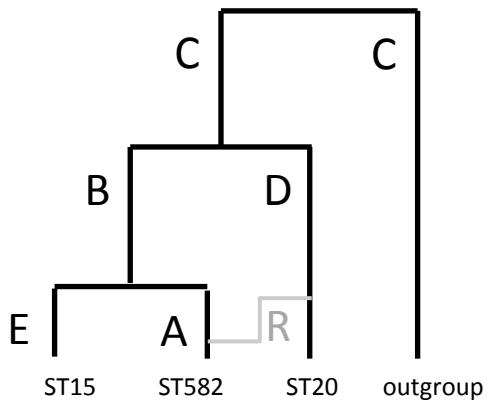


- Ancestral allele
- Derived allele



Clonal sites

	ST15	ST582	ST20	outgroup	
●	●	●	●	●	A
●	●	●	●	●	B
●	●	●	●	●	C
●	●	●	●	●	D
●	●	●	●	●	E

Recombined sites

●	●	●	●	(D+R) interpreted as D & A (homoplasy)
●	●	●	●	(B+R) interpreted as E (mirroring)