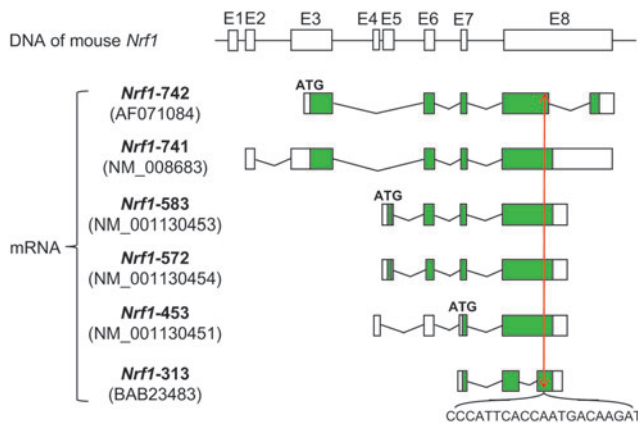


Supplementary Data



SUPPLEMENTARY FIG. S1. Schematic diagram of mouse *Nrf1* genomic sequence (Gene ID: ENSMUSG0000038615) and depiction of different isoforms of *Nrf1* transcripts. *Upper panel*, DNA structure. *White open boxes* labeled by E1-8 represent exons. *Solid black lines* represent introns and 3'- or 5'-flanking regions. Sequences are from the National Center for Biotechnology (www.ncbi.nlm.nih.gov) and Ensemble Genome Browser (www.ensembl.org). *Lower panel*, mRNA structure of different isoforms of *Nrf1*. The numbers in parentheses under each isoform name are the accession numbers in the GenBank. *Green* and *white open boxes* represent coding regions and untranslated regions, respectively. *Solid red line with arrowhead* is the target site of shRNA (sequence is under red line) used in this study. *Nrf1*, nuclear factor-erythroid 2-related factor 1.