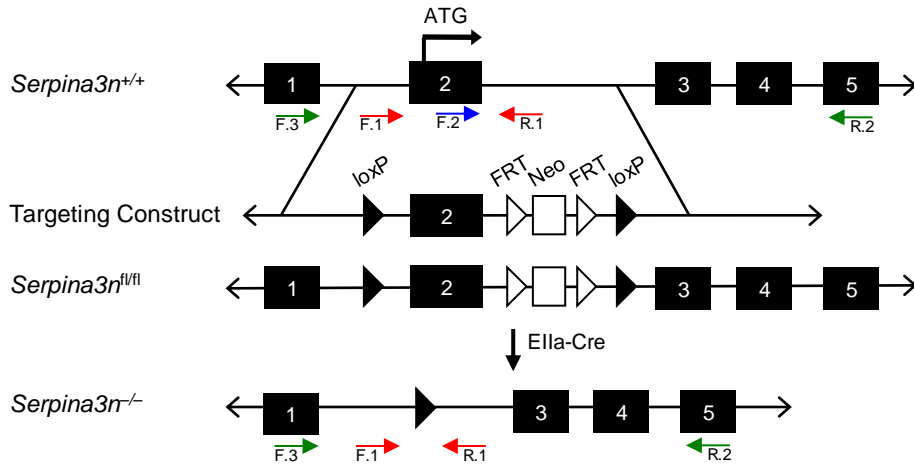


Supplementary Figure 5

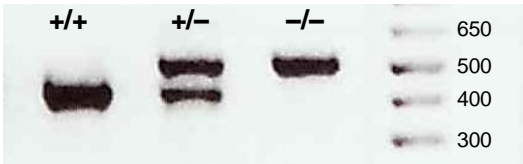
a



b

Genomic DNA

+/+ F.2/R.1 459 bp
 -/- F.1/R.1 518 bp



cDNA

+/+ F.3/R.2 1362 bp
 -/- F.3/R.2 708 bp

