

Supplementary Information

```

1      acatgggagacaataacacataaacctcaaaaaatcaatatgaagctcaaaataagtattaactaatttgtttactact
79     atctttaaaaacttcgttacaataataaaaaatattcatagcttggagtatctagaaaaatcttagcaataagaga
157    gtttgtagaatttgaggtaatcaatcaagtaaactgtgtcATGGCTTCAGGTAGTTTCAAAAAGGGTCTGAGGCAAC
1      M A S G S F K K G S E A T
235    AGAGACAAATGAACCTTTCAAACGGCAAGGCTCATTGCGAAAAGTTCTTCCTCCTAAACAATATGGAGAATCAATGCT
14     E T N E P F K R Q G S L R K V L P P K Q Y G E S M L
313    TAGCATGTCTGCCAAAATGATCGAACGTCCACAACAATCTTCTTCGCAACAAGTCTTTACAAGCAAGCTTACAGTCC
40     S M S A K M I E R P Q Q S S S Q T S L Y K Q A Y S P
391    ATTCTTCCAAGAGTATAGTATAATGAGTGAATACAACCTACTGACTAAGAAATGTCTTCCAGGGCTCTATGTTATGCC
66     F F Q E Y S I M S E Y N L L T K K C L P G L Y V M P
469    CTCGCTTCTTCTCCTTTATTATGGTTTGGTGTATTGTTTCATCAAAAAAGGGCTCTATCATGGAGGTATCTTTCGTTT
92     S A S S P L L W F G V L F I K K G L Y H G G I F R F
547    CAATTTGGAAACTCCCGAGACCTTTCCTGATTGCACATGTCCGAAAGTTGTATTTCGAGTCTAAAGTCTTCCATCCTAG
118    N L E T P E T F P D C T C P K V V F E S K V F H P S
625    TATAGACATTGCAACTGGCGAAGTTTTCTTGAATCAAACATTTCCGGAGTGGAAAGAAAGACGTGAACCATTTATGGCA
144    I D I A T G E V F L N Q T F P E W K K D V N H L W Q
703    AATACTTGAACACGTATTGCAGTTGTTTCTCAGCATTGACGTCAAGGATGCAGTCAACCAAGAAGCATCTATCTCTAT
170    I L E H V L Q L F L S I D V K D A V N Q E A S I S M
781    GTGAacgataatggatgccttcgtcaaccgagtgaaagagagtgtagactcttcacagaataattgttcgacgaaccg
196    *
859    acgtcaagtgatcctactatctccgattcaatcaatatgatgaaaccctccataagacagcaagagaagctttaaagt
937    cgaaaaaaaaaaaaaaaaaaaaaaaaaaaaa

```

Figure S1. The nucleotide and deduced amino acid sequences of *NIKTIP*. The deduced amino acid sequence is shown below the cDNA sequence. The start and stop codons are shown in boldface, and an asterisk represents the position of the stop codons.

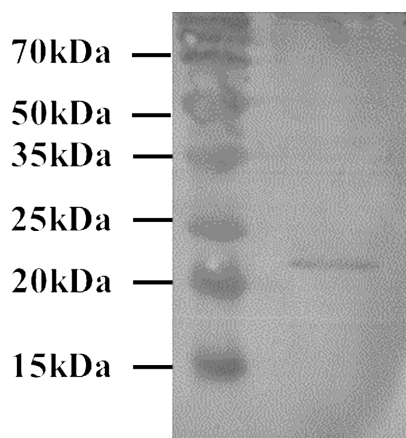


Figure S2. Test of the AKTIP antibody specificity. The polyclonal rabbit antibody is generated by PolyExpress™ Antibody Service.

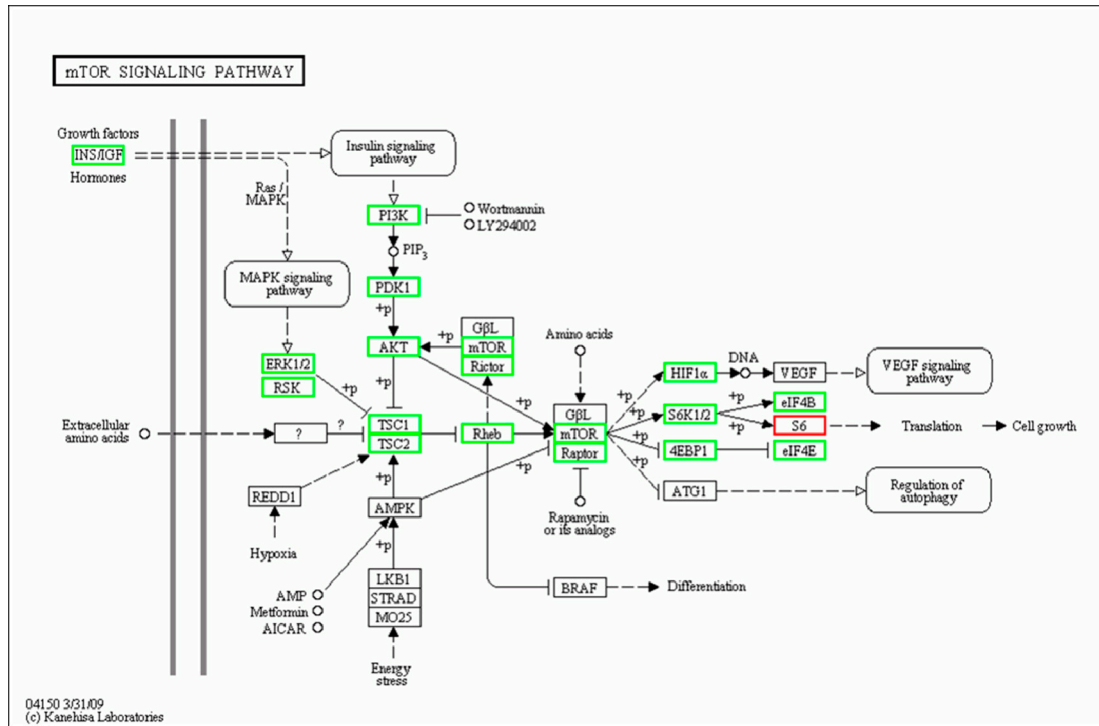


Figure S3. Gene expression profile of the insulin/AKT/mTOR signaling pathway in BPH. Boxes highlighted in green correspond to down-regulated genes, while the red box indicates up-regulated genes in the Rh colony compared with the Tn colony. Solid line and black arrows represent for directly stimulatory modification; Dotted line with black arrow represent for indirectly stimulatory modification; Dotted line with white arrow represent for translocation.