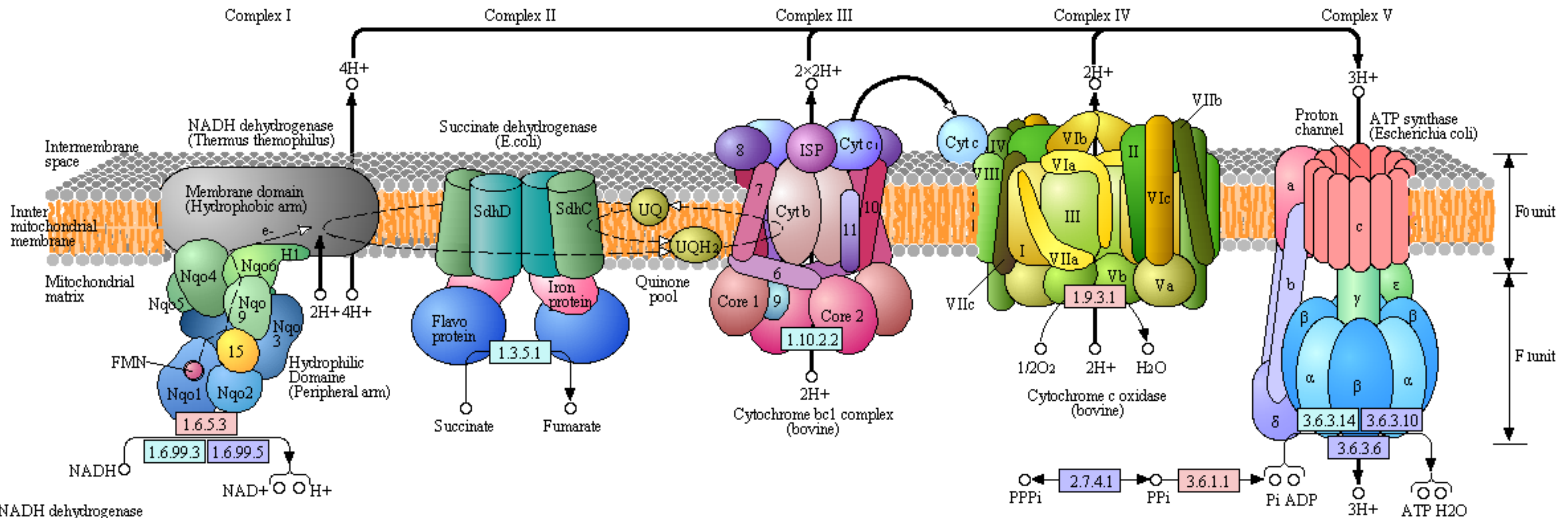


OXIDATIVE PHOSPHORYLATION



NADH dehydrogenase

E	ND1	ND2	ND3	ND4	ND4L	ND5	ND6										
E	Ndufs1	Ndufs2	Ndufs3	Ndufs4	Ndufs5	Ndufs6	Ndufs7	Ndufs8	Ndufv1	Ndufv2	Ndufv3						
B/A	NuoA	NuoB	NuoC	NuoD	NuoE	NuoF	NuoG	NuoH	NuoI	NuoJ	NuoK	NuoL	NuoM	NuoN			
B/A	NdhC	NdhK	NdhJ	NdhH	NdhA	NdhI	NdhG	NdhE	NdhF	NdhD	NdhB	NdhL	NdhM	NdhN	HoxE	HoxF	HoxU
E	Ndufa1	Ndufa2	Ndufa3	Ndufa4	Ndufa5	Ndufa6	Ndufa7	Ndufa8	Ndufa9	Ndufa10	Ndufab1	Ndufa11	Ndufa12	Ndufa13			
E	Ndufb1	Ndufb2	Ndufb3	Ndufb4	Ndufb5	Ndufb6	Ndufb7	Ndufb8	Ndufb9	Ndufb10	Ndufb11	Ndufc1	Ndufc2				

Succinate dehydrogenase / Fumarate reductase

E	SDHC	SDHD	SDHA	SDHB				
B/A	SdhC	SdhD	SdhA	SdhB	FrdA	FrdB	FrdC	FrdD

Cytochrome c reductase

E/B/A	ISP	Cyt b	Cyt 1						
E	COR1	QCR2	QCR6	QCR7	QCR8	QCR9	QCR10		

Cytochrome c oxidase

E	COX10	COX3	COX1	COX2	COX4	COX5A	COX5B	COX6A	COX6B	COX6C	COX7A	COX7B	COX7C	COX8	E/B/A	COX11	COX15	COX17
B/A	CyoE	CyoD	CyoC	CyoB	CyoA													
	CoxD	CoxC	CoxA	CoxB														
	QoxD	QoxC	QoxB	QoxA														

Cytochrome c oxidase, cbb3-type

B	I	II	IV	III
---	---	----	----	-----

Cytochrome bd complex

B/A	CydA	CydB
-----	------	------

F-type ATPase (Bacteria)

alpha	beta	gamma	delta	epsilon
a	b	c		

F-type ATPase (Eukaryotes)

alpha	beta	gamma	delta	epsilon	
OSCP	a	b	c	d	e
f	g	f6/h	j	k	8

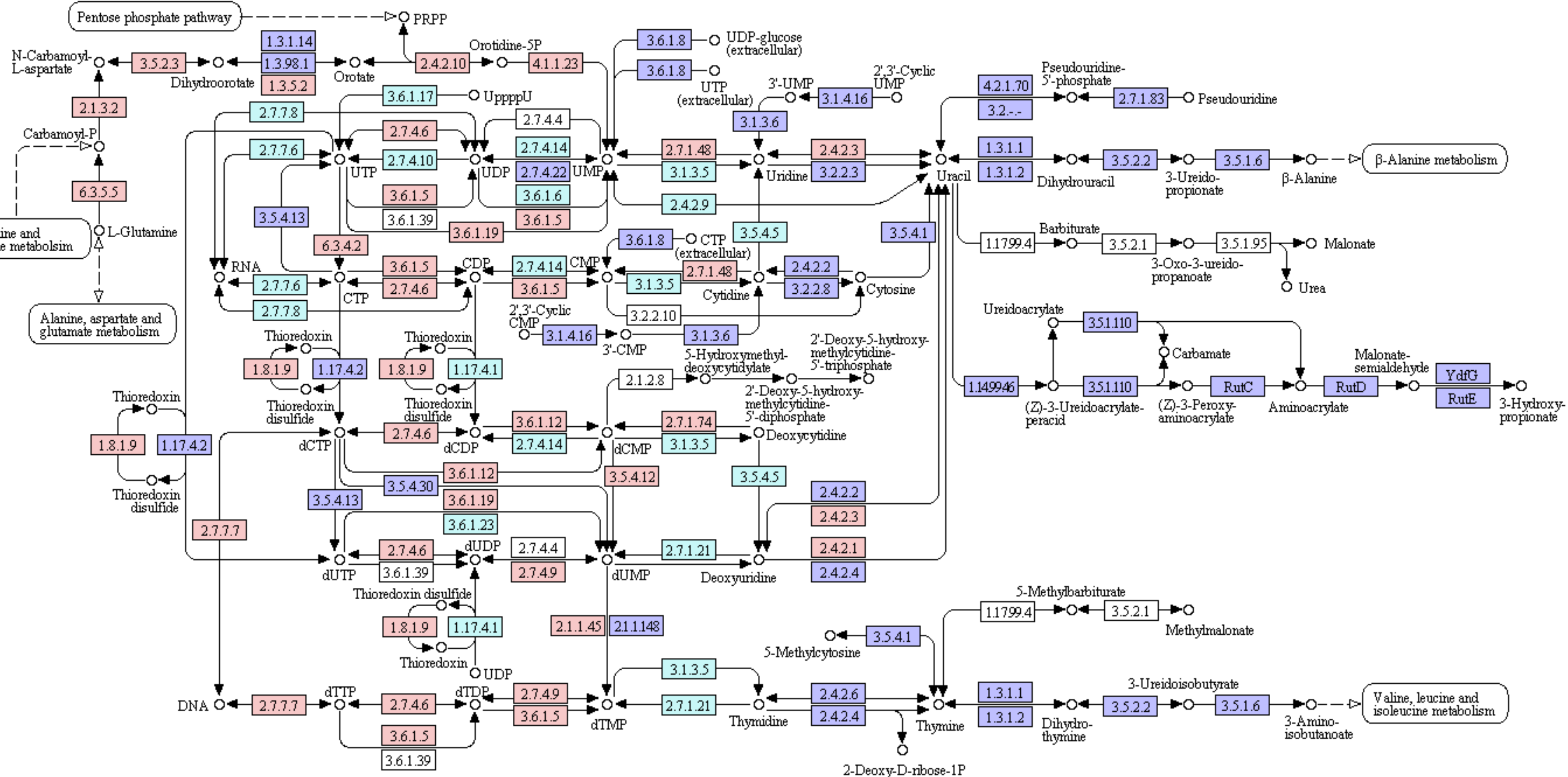
V/A-type ATPase (Bacteria, Archaeas)

A	B	C	D	E	F	G/H
I	K					

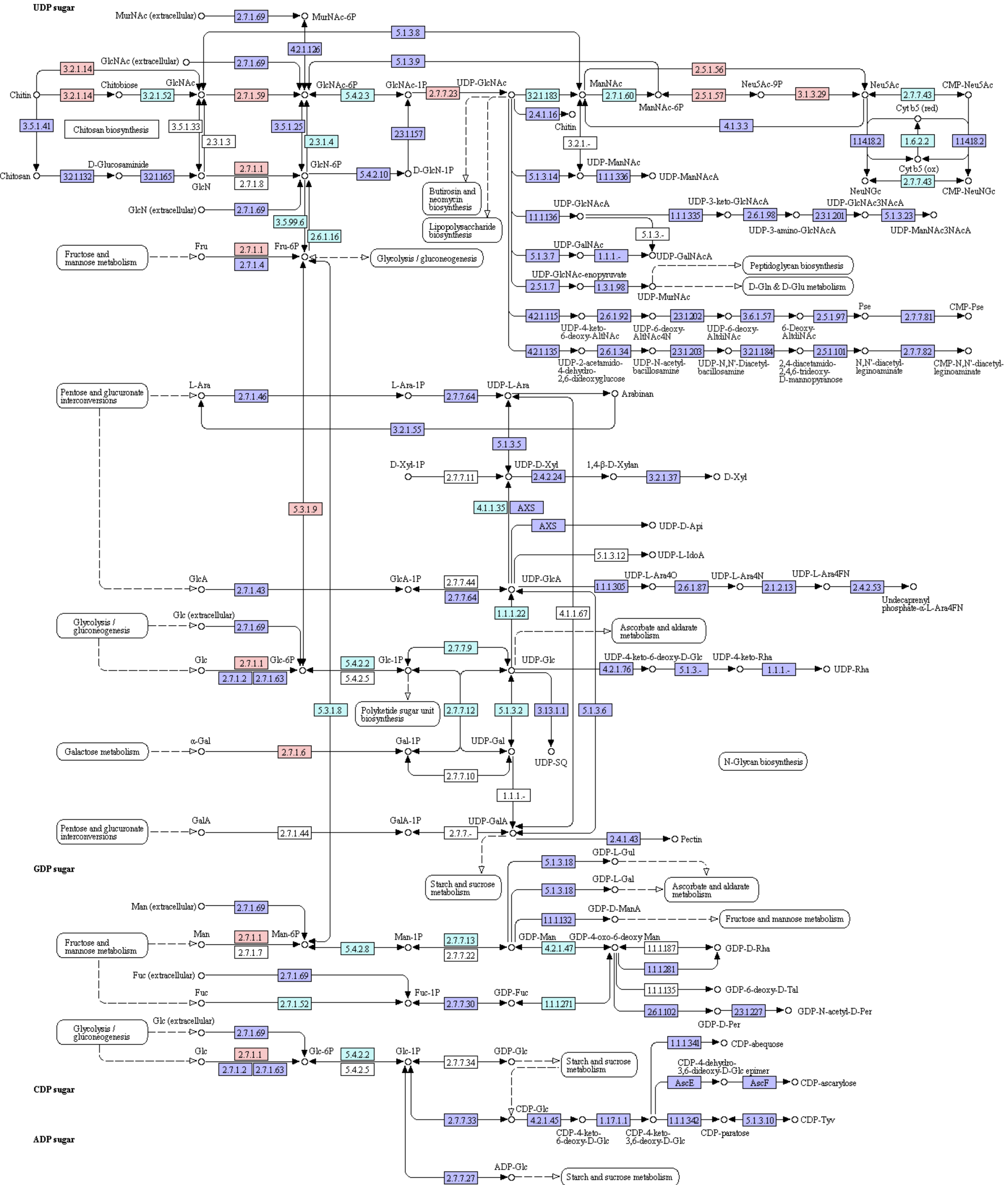
V-type ATPase (Eukaryotes)

A	B	C	D	E	F	G	H
a	c	d	e	S1			

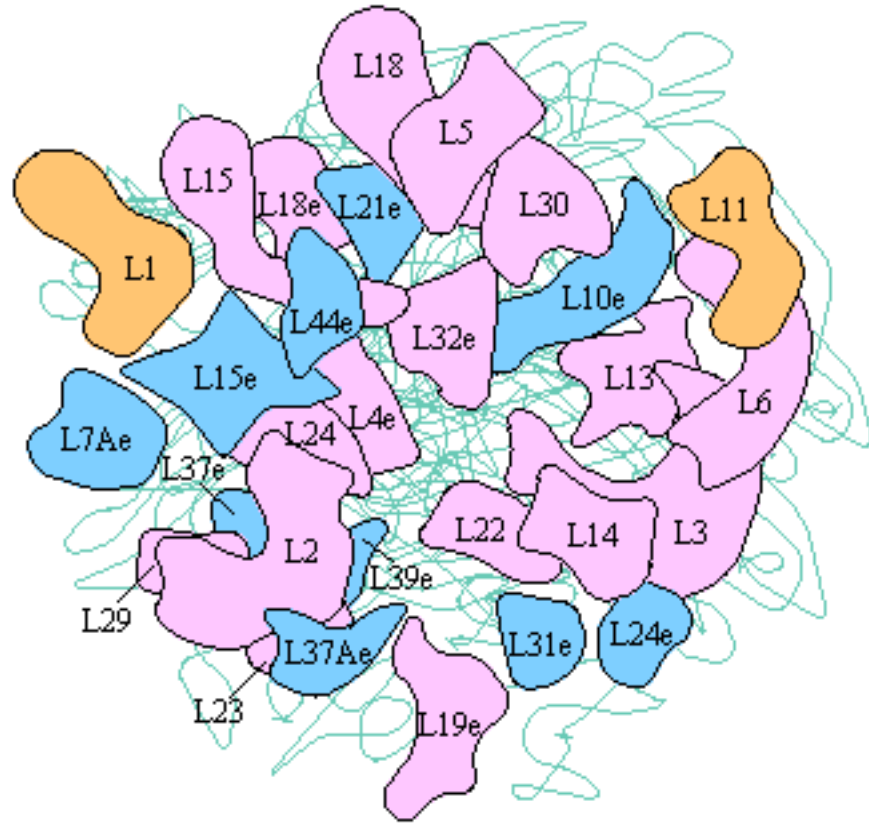
PYRIMIDINE METABOLISM



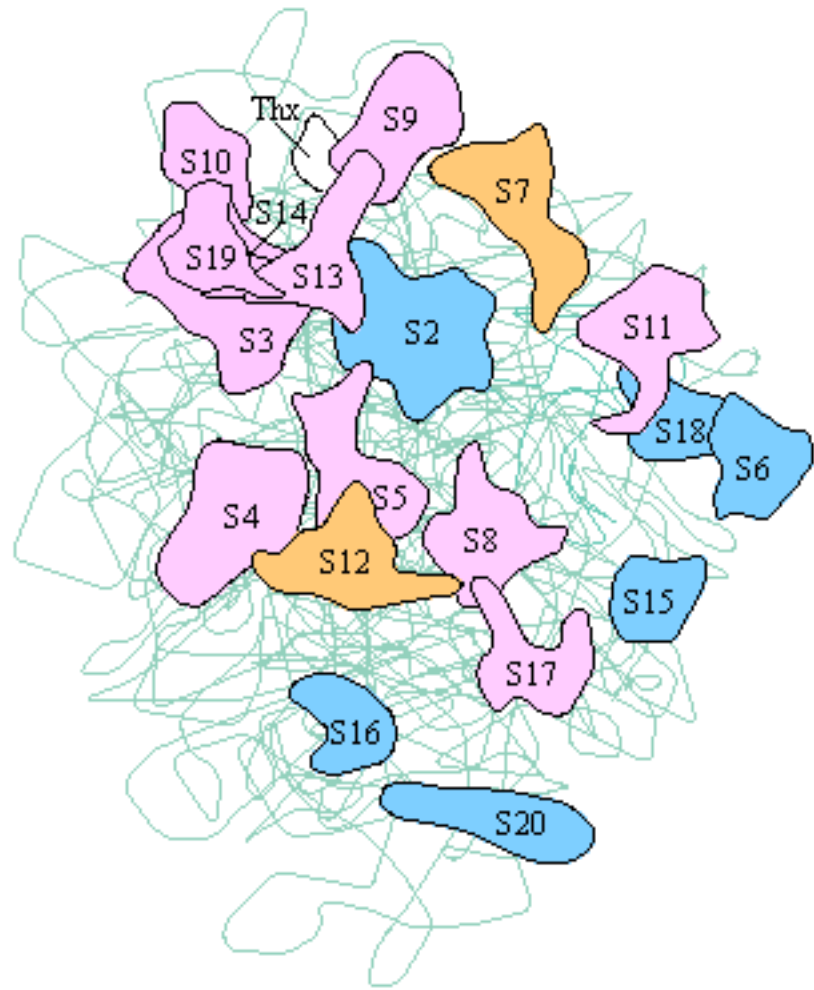
AMINO SUGAR AND NUCLEOTIDE SUGAR METABOLISM



RIBOSOME



Large subunit (*Haloarcula marismortui*)

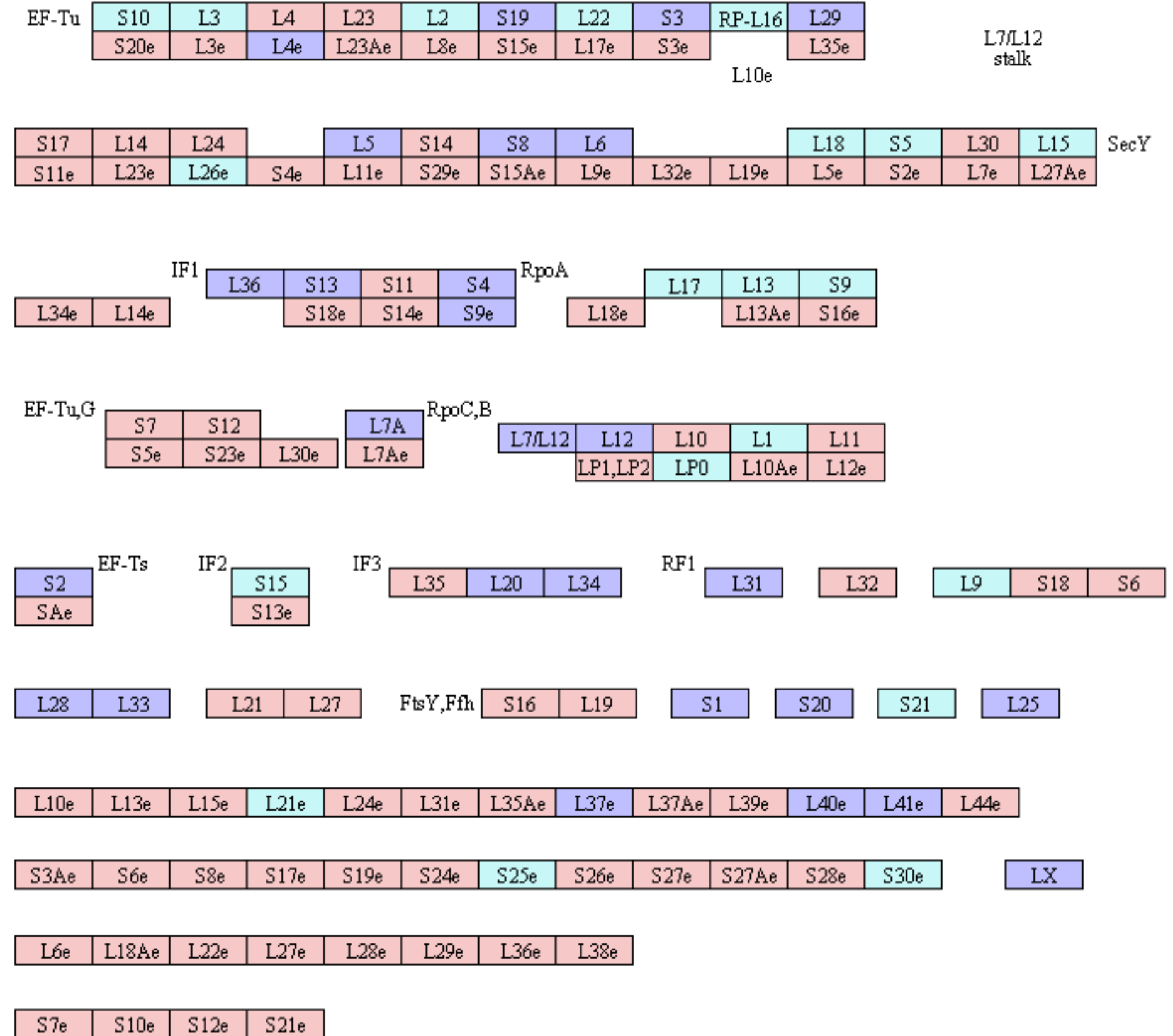


Small subunit (*Thermus aquaticus*)

Ribosomal RNAs

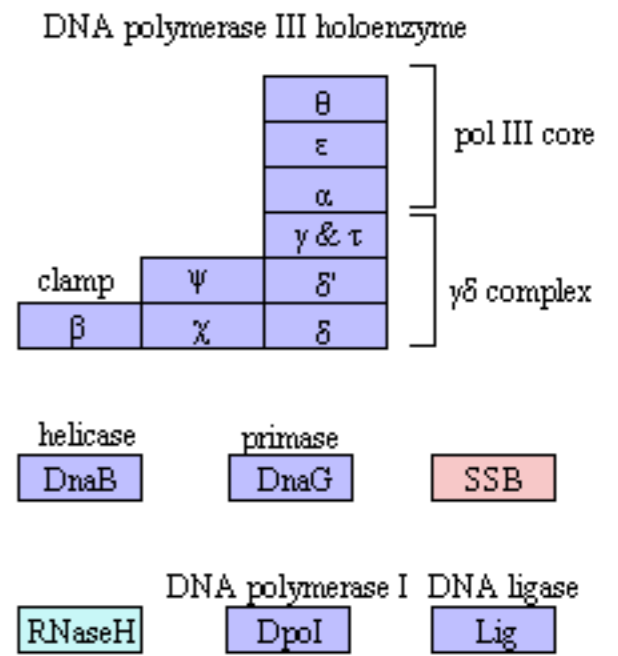
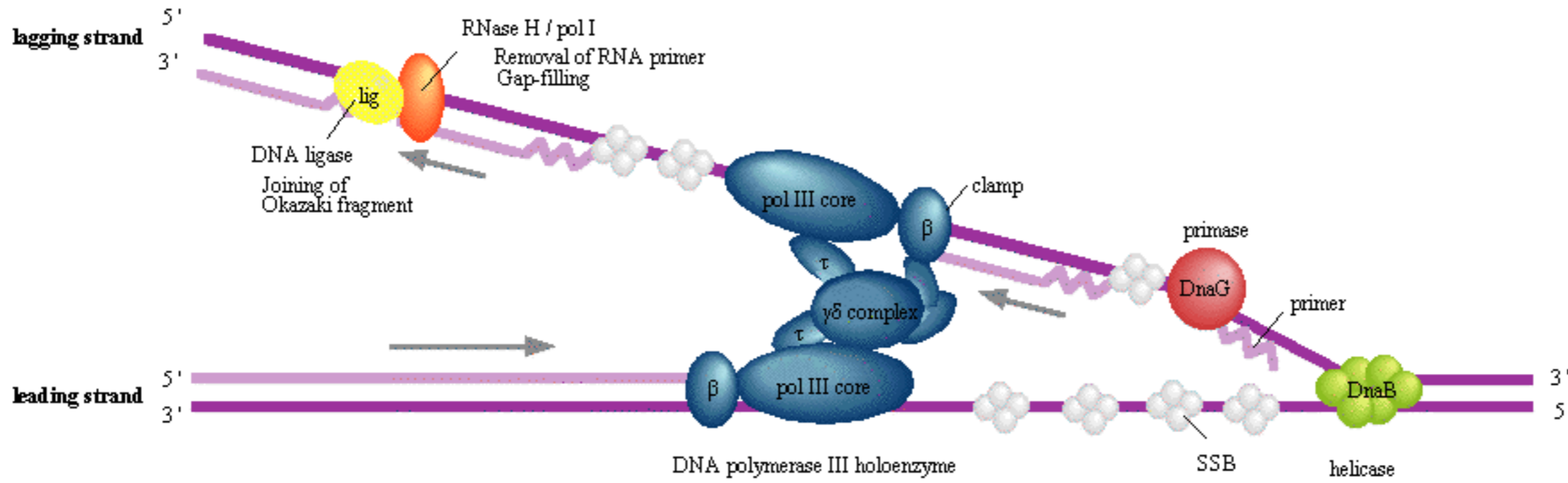
Bacteria / Archaea	23S	5S		16S
Eukaryotes	25S	5S	5.8S	18S

Ribosomal proteins

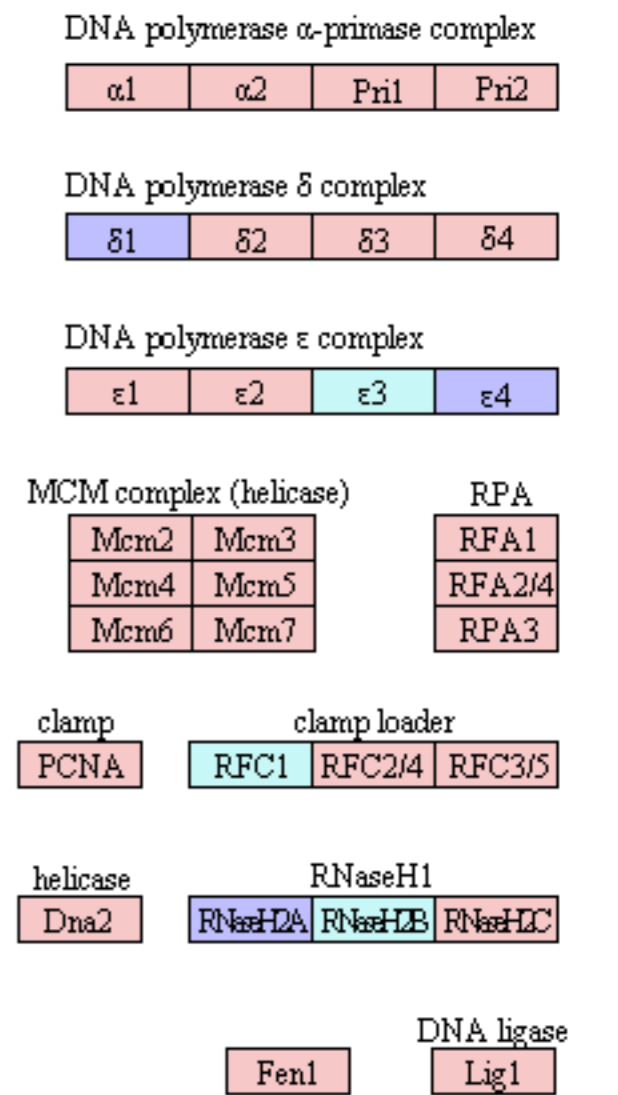
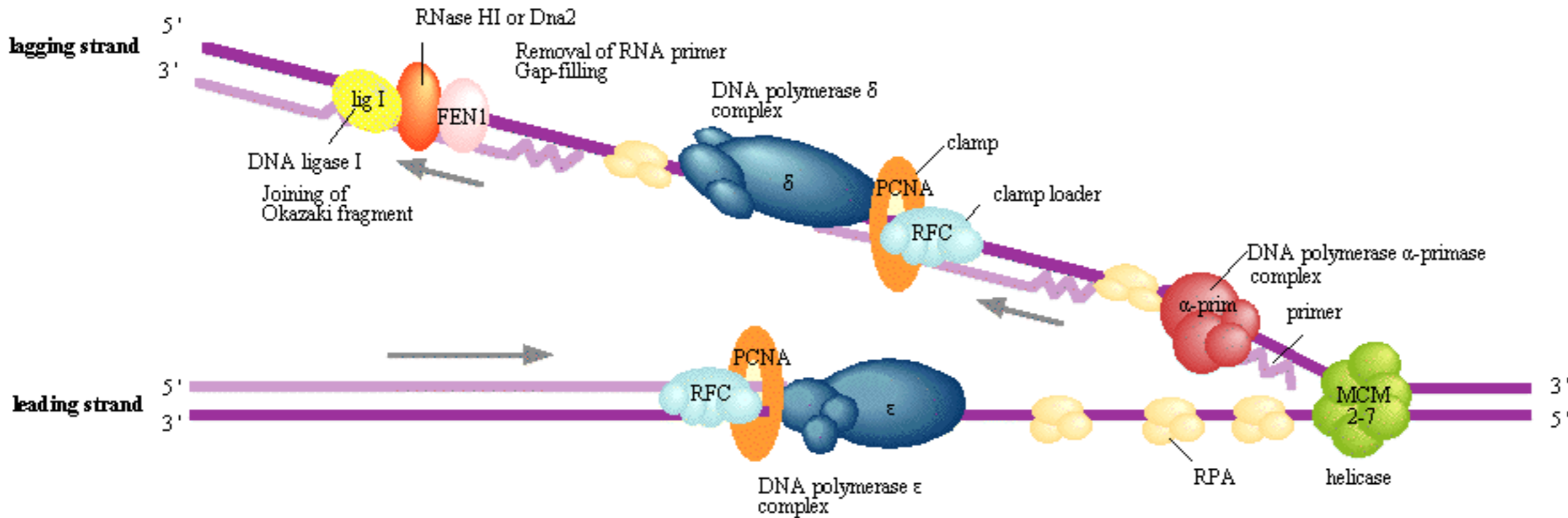


DNA REPLICATION

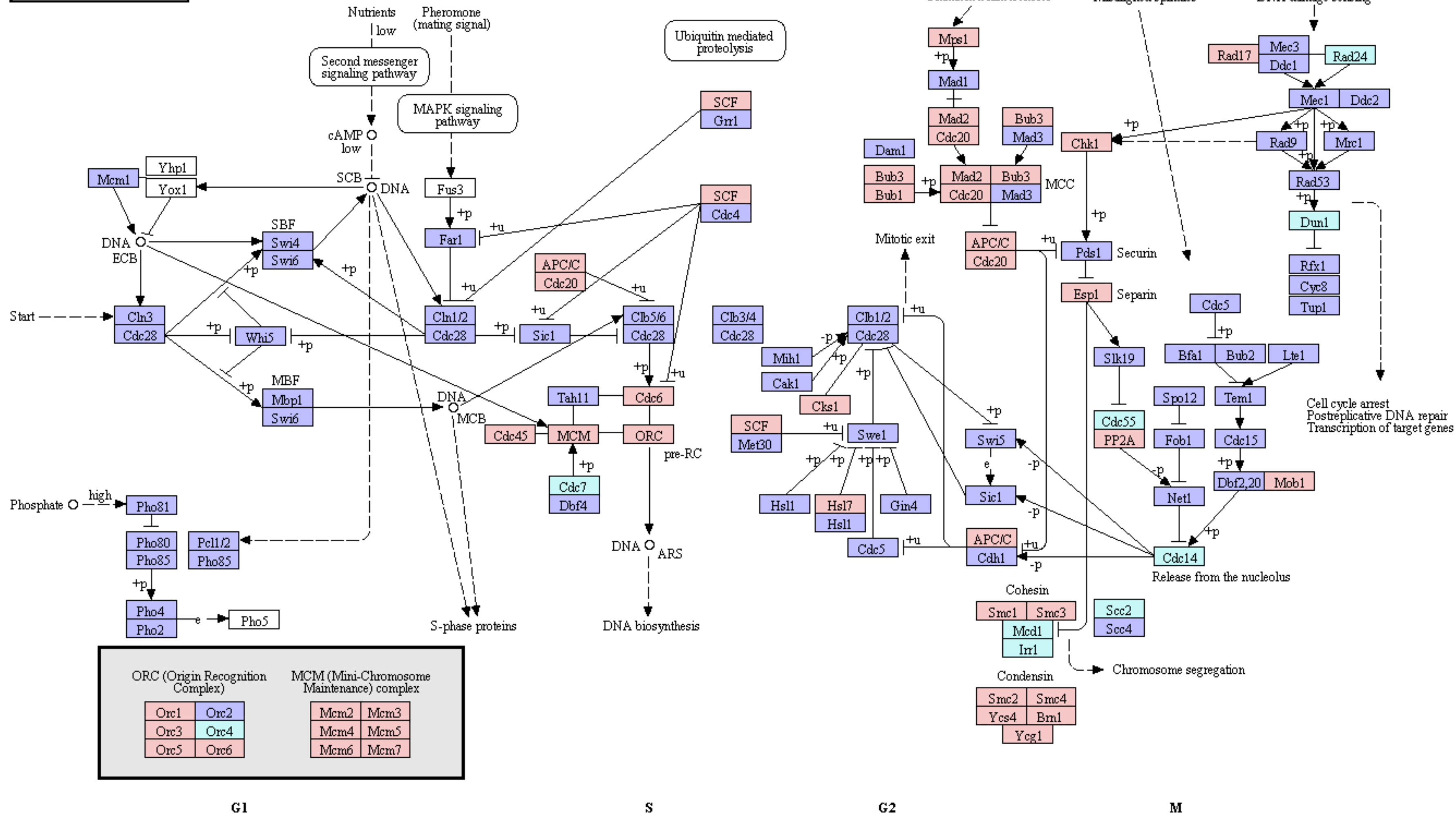
Replication complex (Prokaryotes)



Replication complex (Eukaryotes)



CELL CYCLE - yeast



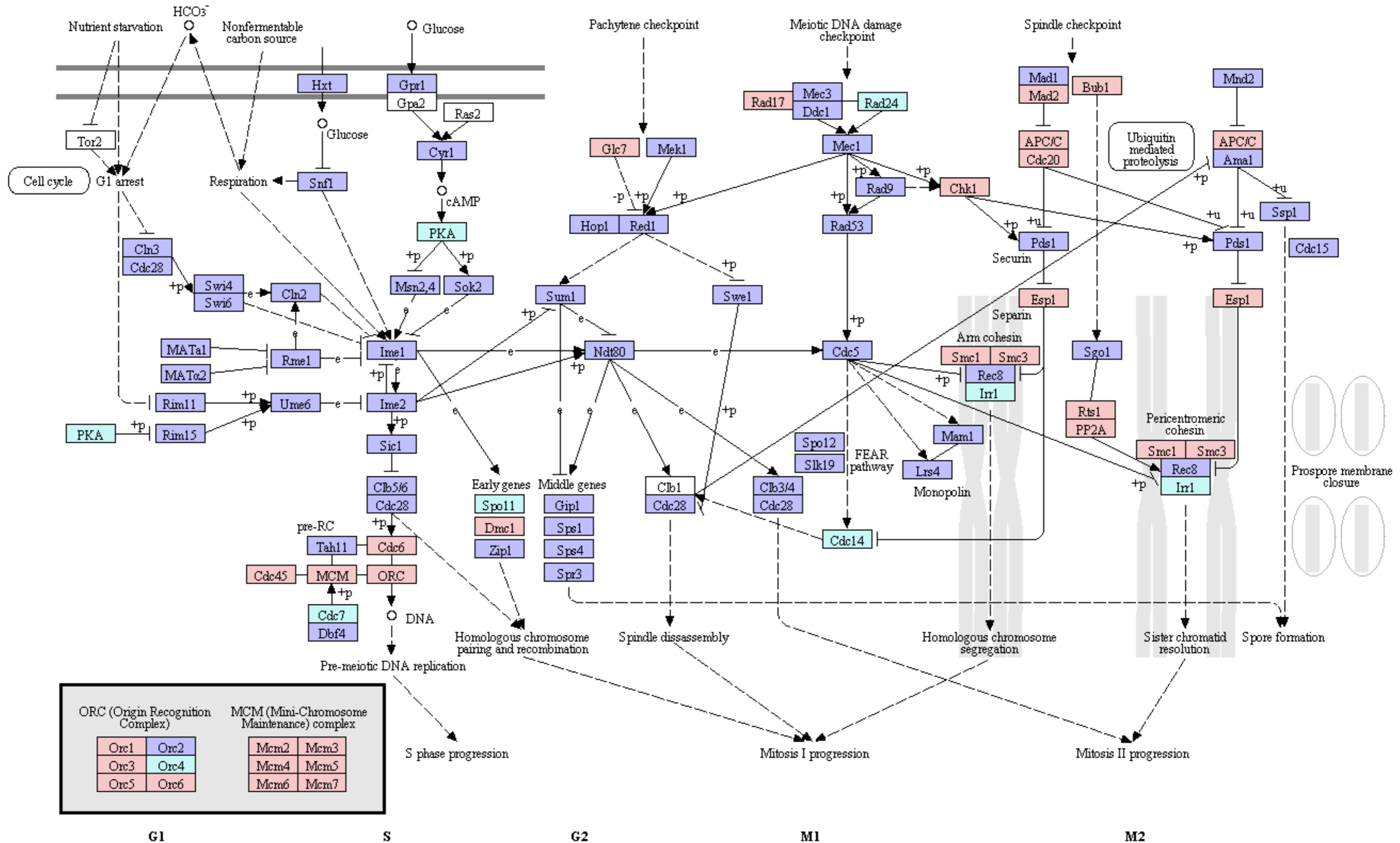
G1

S

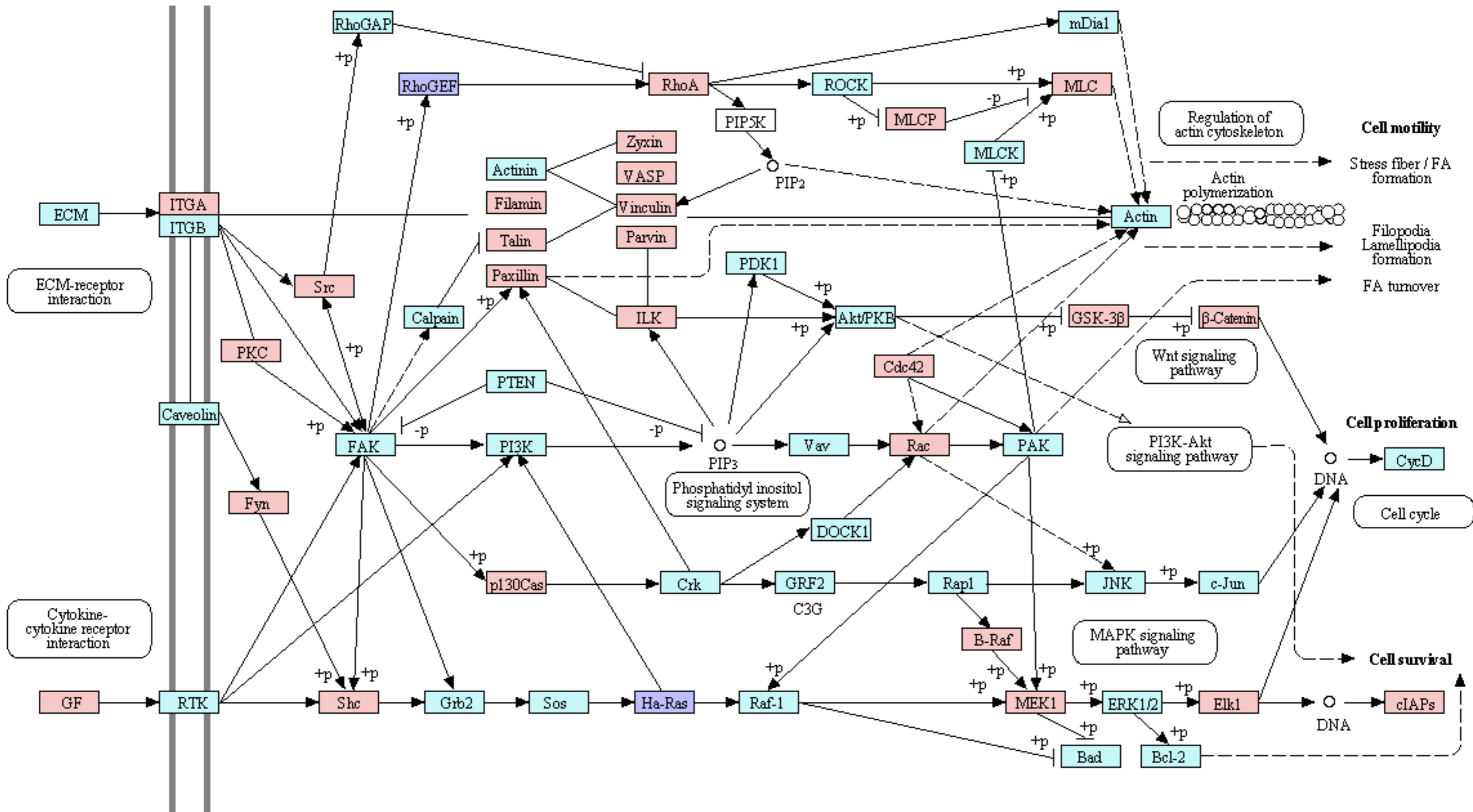
G2

M

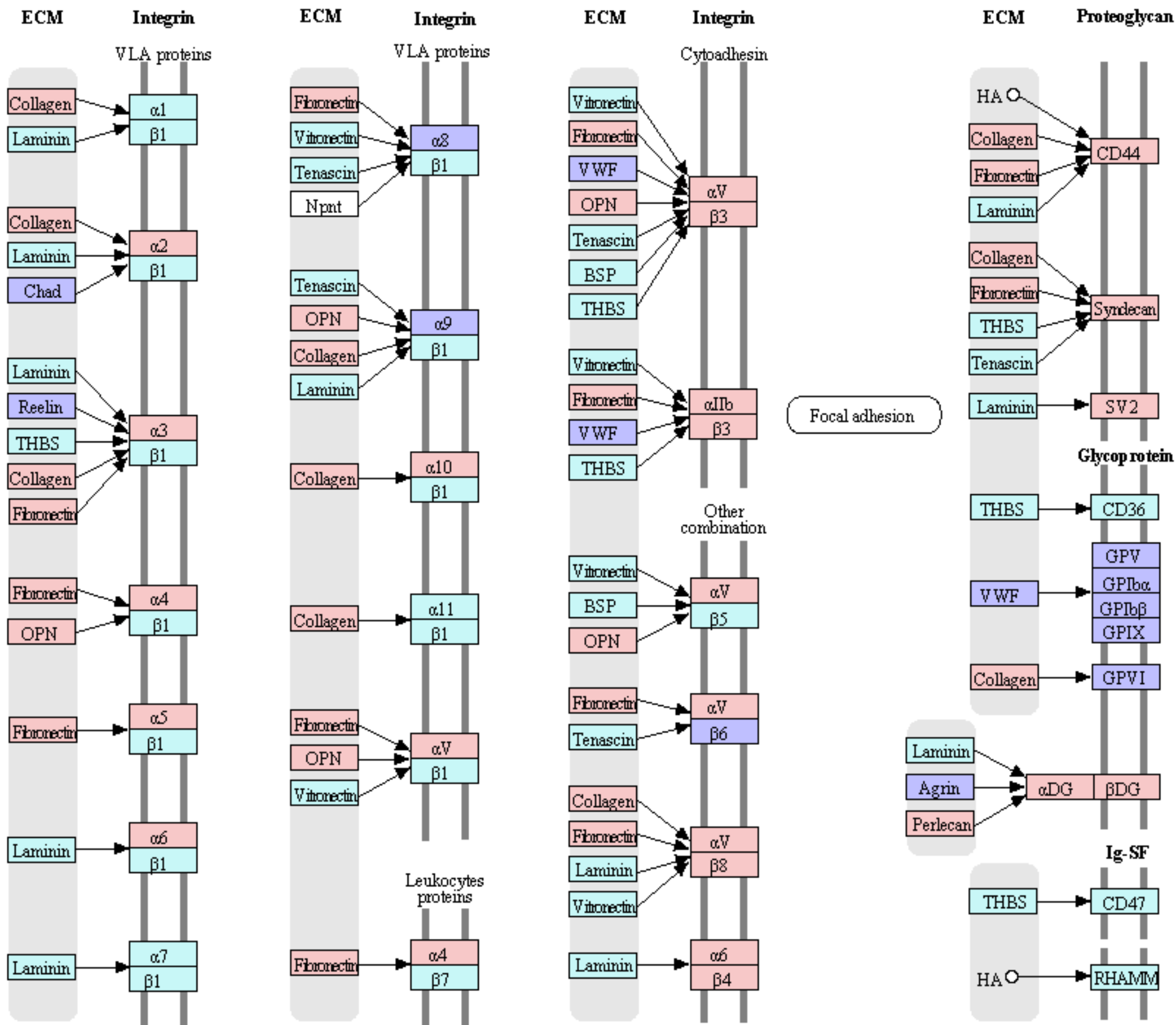
MEIOSIS - yeast



FOCAL ADHESION



ECM-RECEPTOR INTERACTION



RENAL CELL CARCINOMA

