

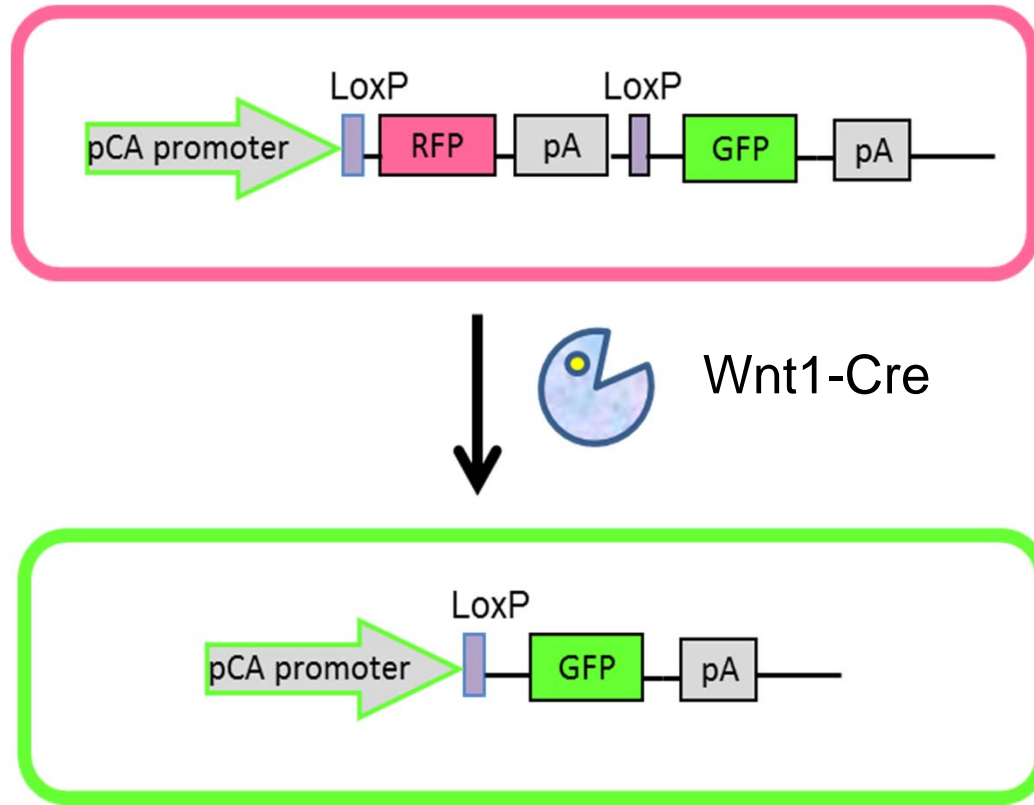
ESRD patients, expression of N1ICD and FSP-1 was detected by immunofluorescent staining with FSP-1 (n = 7).

Supplemental Figure 1. Wnt1-Cre mediates GFP expression in RFP-Stop^{flox/flox}-GFP/Wnt1-Cre⁺ mice.

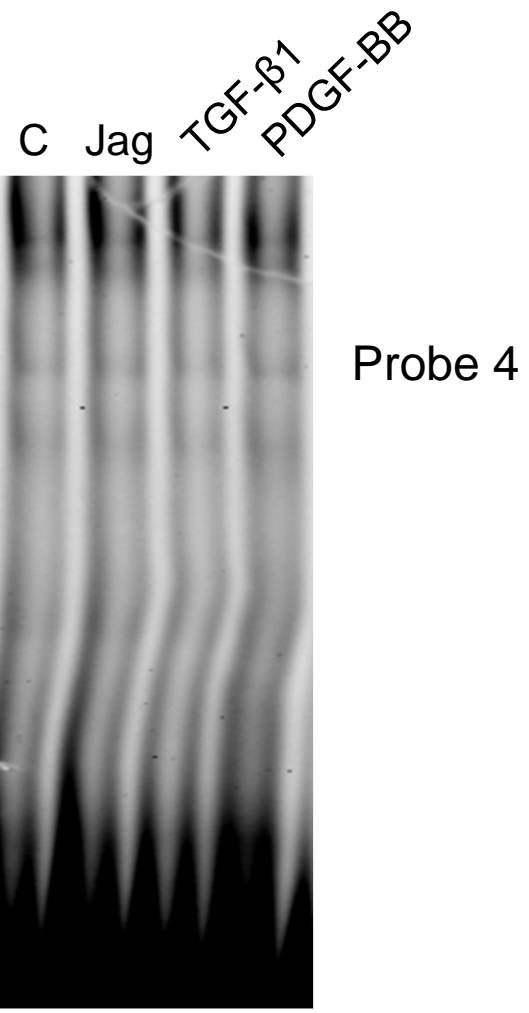
Supplemental Figure 2. Electrophoretic mobility shift assay (EMSA) of Notch-dependent binding activity to the FSP-1 promoter after TGF- β 1 treatment. SMCs were exposed to TGF- β 1 with or without pretreatment with DAPT (10 μ M) for 30 min. The nuclear proteins were prepared and incubated with Dye-680 labeled probe (P4).

Supplemental Table 1. The location of primers used for ChIP assay covers the RBP-J κ binding sites in the FSP-1 promoter.

Supplemental Table 2. The probes used for EMSA assays.



Supplemental Figure 1.



Supplemental figure 2

Supplemental Table 1. Primers used for Chip assay.

Primers	Location from TTS	Upstream primers (5'-3')	Downstream primers (5'-3')
set 1	-2962 to -2766	TCA GGT GGG TAG GAT GAG	CCA GAA CAC TCA TGA ATT
Set2	-2659 to -2490	TAG CCT CTG ATC CAA AGG	CTG GGT GGG GTT AGC ACA
Set3	-2071 to -1924	TCT TGG ACT TTC AAG GAG	TTA ATC TCT AAG GAT AGG
Set4	-1722 to -1590	CCT CCT GAC TTG CTA GCC	CCC TGG AAA TAT GTG GCC
Set5	-1417 to -1275	GAT TGT GCC TGC TGG GGA	CCT GCC AGG CCC TGC CCA
Set6	-754 to -581	CTG GAG CAA ATG CCA AGG	AAC ACG AAT GCC TGC AGG
Set7	-580 to -455	TGT AGT GTG TCT TAT TTT	AGC TGC CTA ATA GGA GTA
Set8	-417 TO -278	GCA GCC GCG CCC AAC GCT	CAG CAC CTT TCT GTG CCT

Supplemental Table 2. Probe used for EMSA assay.

Probe location	Probe information	Probe sequence
Area in Prime set 6	Upstream-labeled with Irdye 800	5'-CTTGGTGGCAAGCACCTCTACCCACTGAG-3'
	Downstream	5'-CTCAGTGGGTAGAGGTGCTTGCCACCAAG-3'
Area in Prime set 4	Upstream-labeled with Irdye 680	5'-TAGGCTGGAGGGAAGTGCTGA-3'
	Downstream	5'-TCAGCACTTCCCTCCAGCCTA-3'