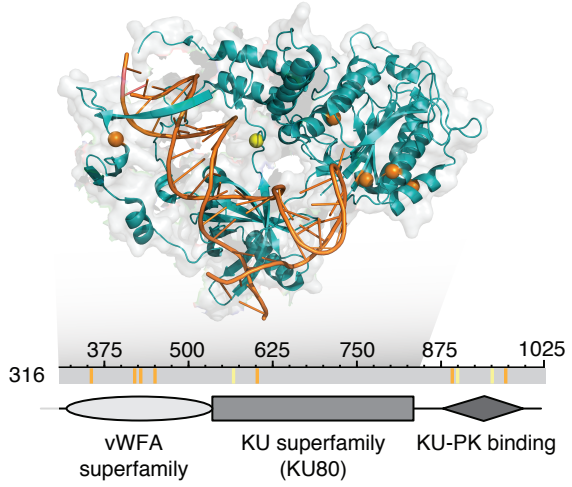
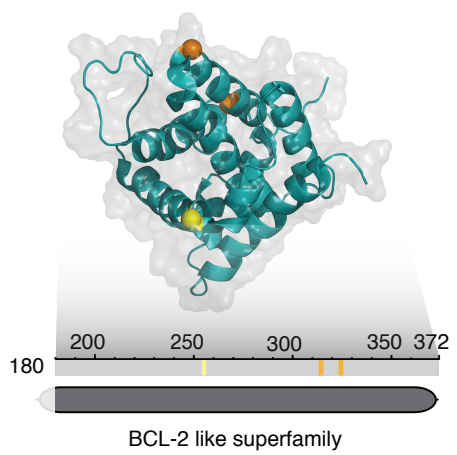


Figure S4

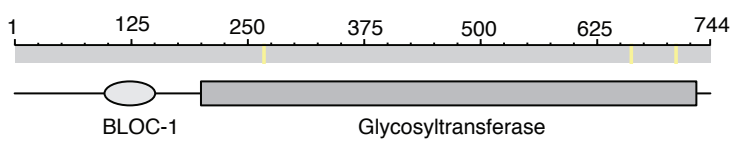
A Residues under positive selection in XRCC5



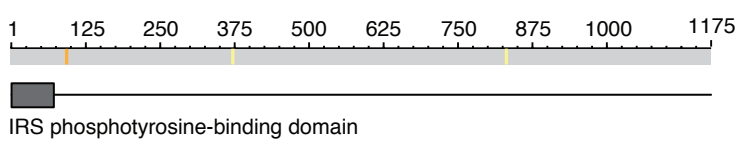
B Residues under positive selection in BAX



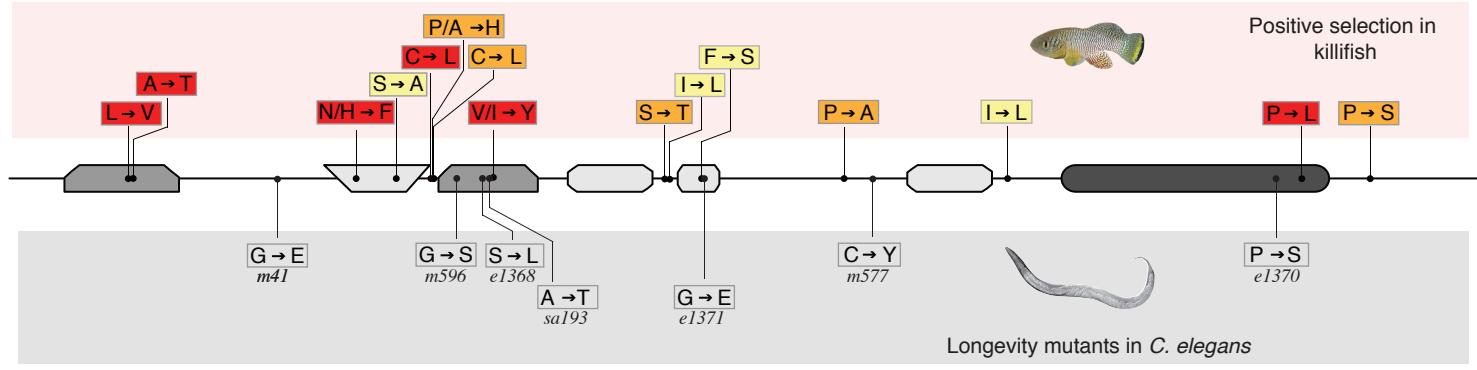
C Residues under positive selection in MGAT5(1of3)



D Residues under positive selection in IRS1(2of2)



E Residues and variants in IGF1R(1of2) in turquoise killifish and DAF-2 in *C. elegans*



F Residues and variants in CEL(7of7) in the turquoise killifish and bowhead whale

