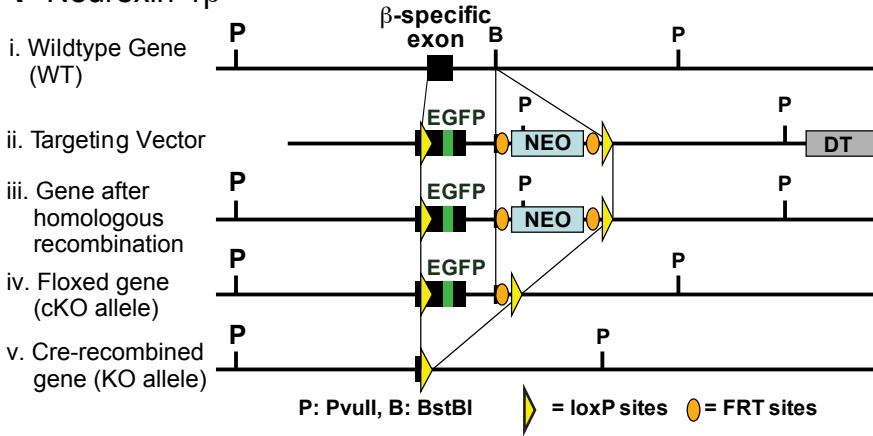
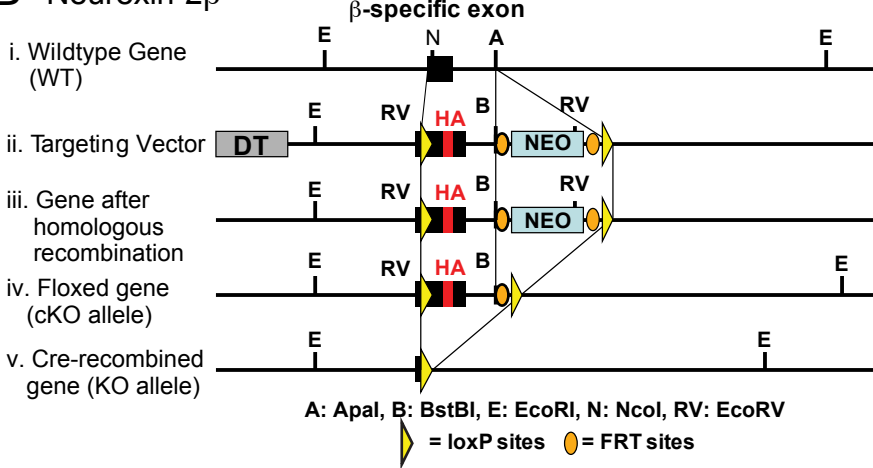


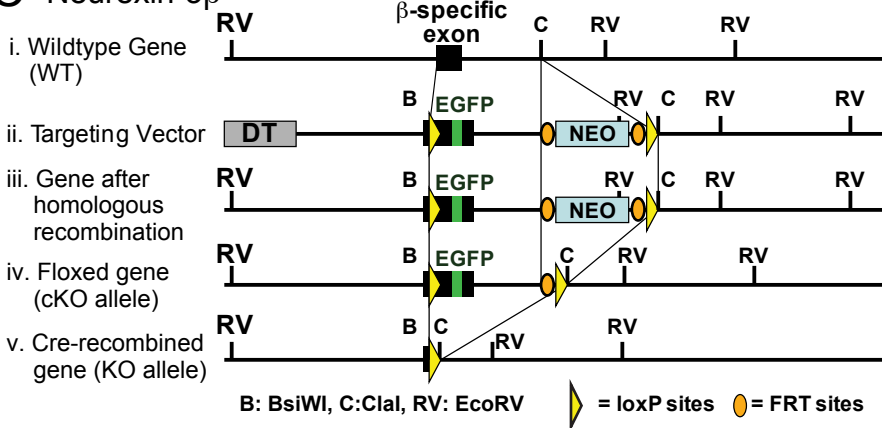
A Neurexin-1 β



B Neurexin-2 β

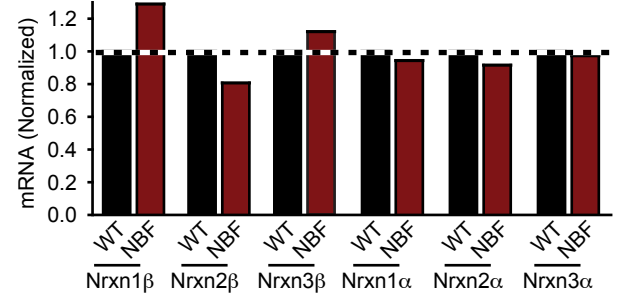


C Neurexin-3 β

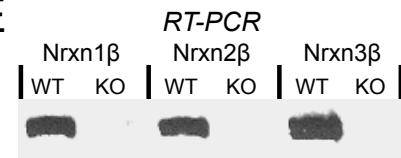


D

mRNA Measurements (NBF = triple β -neurexin cKO before Cre-mediated excision of first coding exon)



E



F

