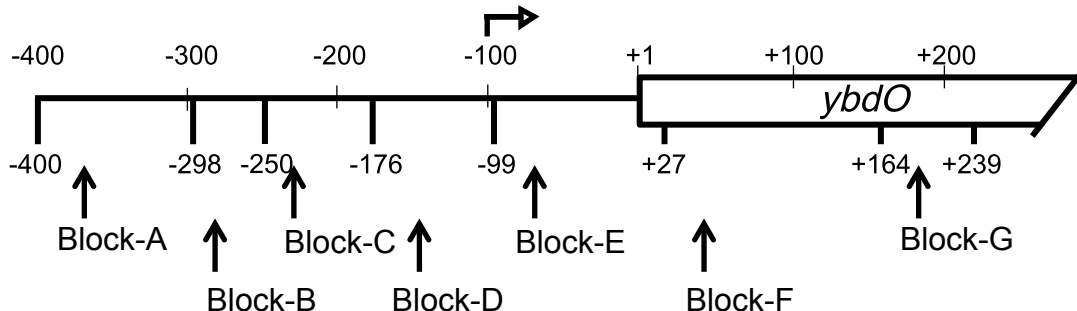
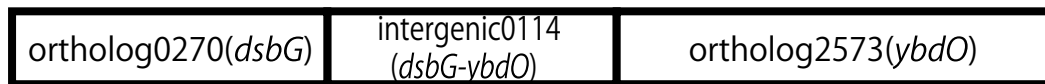
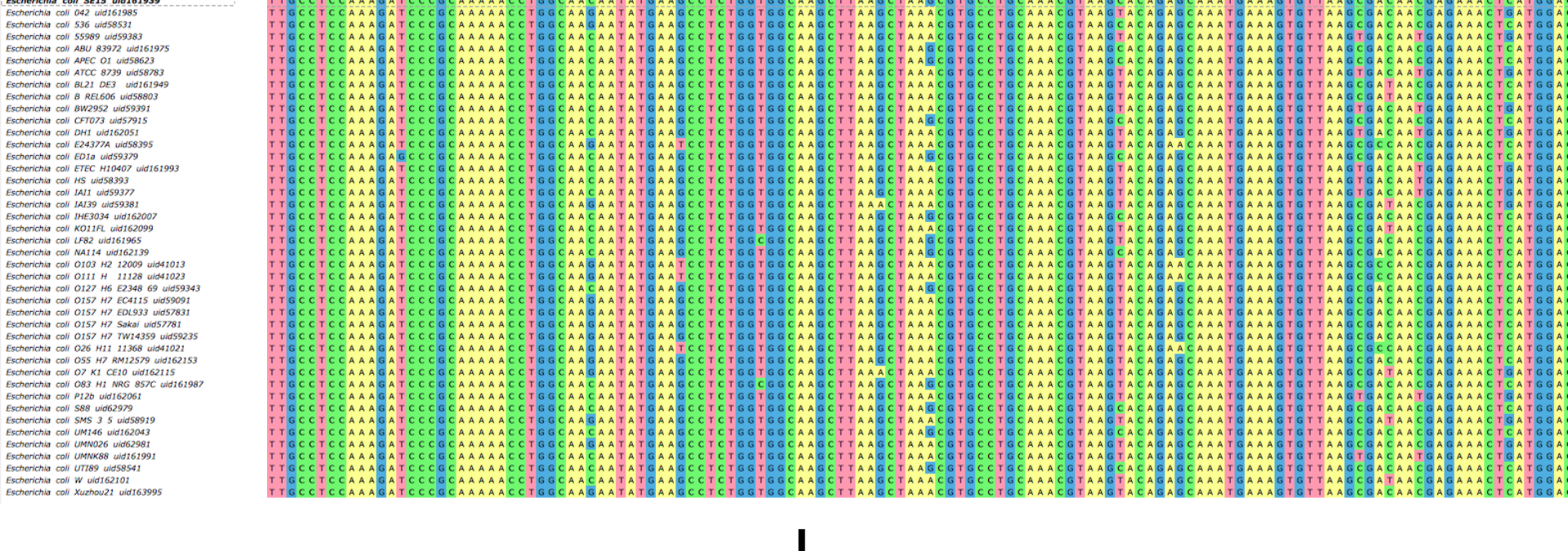


A

ortholog0270 (*dsbG*)

-400

Escherichia coli K 12 substr W3110 uid16351
Escherichia coli SE11 uid59425
Escherichia coli SE15 uid161939



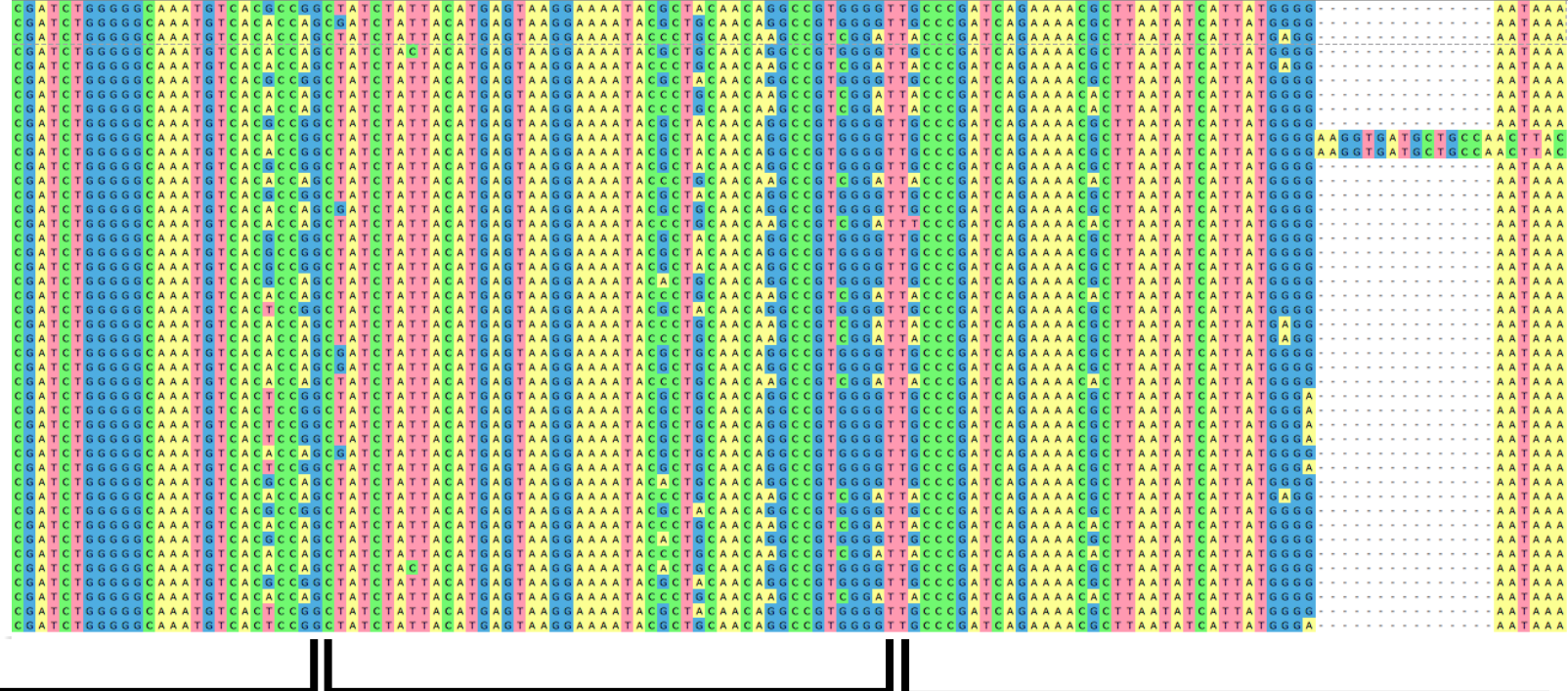
Block-A

ortholog0270 (*dsbG*)

-298

-250

- Escherichia coli* K 12 substr. W3110 uid16351
- Escherichia coli* SE11 uid59425
- Escherichia coli* SE15 uid161939
- Escherichia coli* 042 uid161985
- Escherichia coli* 536 uid58531
- Escherichia coli* 55989 uid59383
- Escherichia coli* ABU 83972 uid161975
- Escherichia coli* APEC_O1 uid58623
- Escherichia coli* ATCC 8739 uid58783
- Escherichia coli* BL21 DE3 uid161949
- Escherichia coli* B REL606 uid58803
- Escherichia coli* BW2952 uid59391
- Escherichia coli* CF7073 uid57915
- Escherichia coli* DH1 uid162051
- Escherichia coli* E24377A uid58395
- Escherichia coli* ED1a uid59379
- Escherichia coli* ETEC H10407 uid161993
- Escherichia coli* HS uid58393
- Escherichia coli* IA1 uid59377
- Escherichia coli* IA139 uid59381
- Escherichia coli* IHE3034 uid162007
- Escherichia coli* K013FL uid162099
- Escherichia coli* LF82 uid161965
- Escherichia coli* NA114 uid162139
- Escherichia coli* O103 H2 12009 uid41013
- Escherichia coli* O111 H 11128 uid41023
- Escherichia coli* O127 H6 E2348 69 uid59343
- Escherichia coli* O157 H7 EC4115 uid59091
- Escherichia coli* O157 H7 EDL933 uid57831
- Escherichia coli* O157 H7 Sakai uid57781
- Escherichia coli* O157 H7 TW14359 uid59235
- Escherichia coli* O26 H11 11368 uid41021
- Escherichia coli* O55 H7 RM12579 uid162153
- Escherichia coli* O7 K1 CE10 uid162115
- Escherichia coli* O83 H1 NRG 857C uid161987
- Escherichia coli* P126 uid162061
- Escherichia coli* S88 uid62979
- Escherichia coli* SMS_3 S uid58919
- Escherichia coli* UM146 uid162043
- Escherichia coli* UMM026 uid62981
- Escherichia coli* UMMN88 uid161991
- Escherichia coli* UT189 uid58541
- Escherichia coli* W uid162101
- Escherichia coli* Xuzhou21 uid163995



Block-A

Block-B

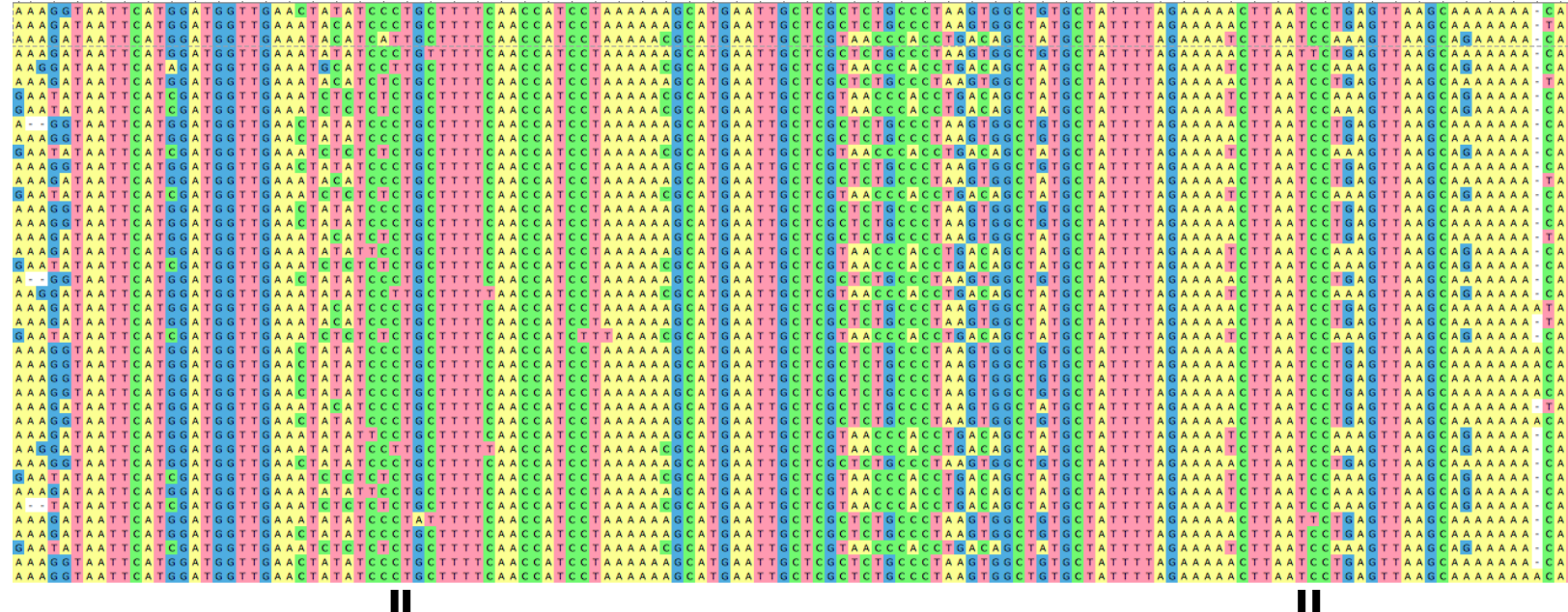
Block-C

intergenic0112
(*dsbG-ybdO*)

-176

-99

- Escherichia coli* K 12 substr W3110 uid16
- Escherichia coli* SE11 uid59425
- Escherichia coli* SE15 uid161939
- Escherichia coli* 042 uid161985
- Escherichia coli* 536 uid58531
- Escherichia coli* 55989 uid59383
- Escherichia coli* ABU 83972 uid161975
- Escherichia coli* APEC O1 uid58623
- Escherichia coli* ATCC 8739 uid58783
- Escherichia coli* BW2952 uid59391
- Escherichia coli* CFT073 uid57915
- Escherichia coli* DH1 uid162051
- Escherichia coli* E24377A uid58395
- Escherichia coli* ED1a uid59379
- Escherichia coli* ETEC H10407 uid161993
- Escherichia coli* HS uid58393
- Escherichia coli* IA11 uid59377
- Escherichia coli* IA139 uid59381
- Escherichia coli* IHE3034 uid162007
- Escherichia coli* K011FL uid162099
- Escherichia coli* L82 uid161965
- Escherichia coli* O103 H2 12009 uid41013
- Escherichia coli* O111 H 11128 uid41023
- Escherichia coli* O127 H6 E2348 69 uid59343
- Escherichia coli* O157 H7 EC4115 uid59091
- Escherichia coli* O157 H7 ED1933 uid57831
- Escherichia coli* O157 H7 Sakai uid57781
- Escherichia coli* O157 H7 TW14359 uid59235
- Escherichia coli* O26 H11 11368 uid41021
- Escherichia coli* O55 H7 RM12579 uid162153
- Escherichia coli* O7 K1 CE10 uid162115
- Escherichia coli* O83 H1 NRG 857C uid161987
- Escherichia coli* P128 uid162061
- Escherichia coli* S88 uid62979
- Escherichia coli* SMS 3 5 uid58919
- Escherichia coli* UM146 uid162043
- Escherichia coli* UMN026 uid62981
- Escherichia coli* UMNK88 uid161991
- Escherichia coli* UT789 uid58541
- Escherichia coli* W uid162101
- Escherichia coli* Xuzhou21 uid163995

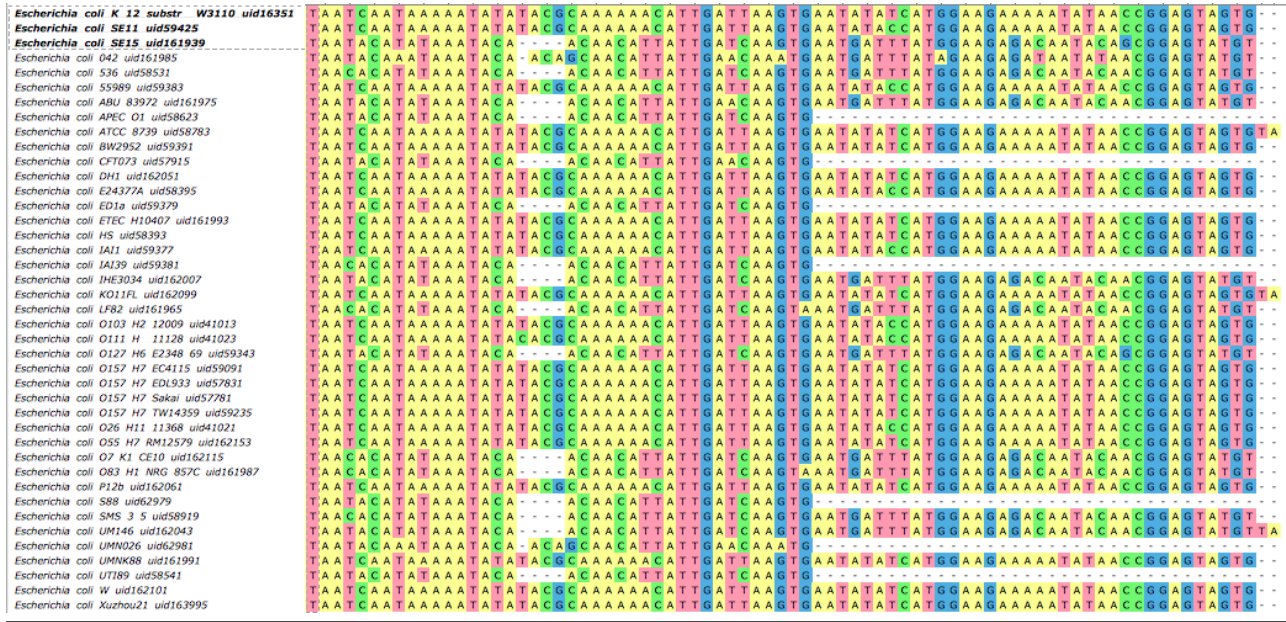


Block-C

Block-D

Block-E

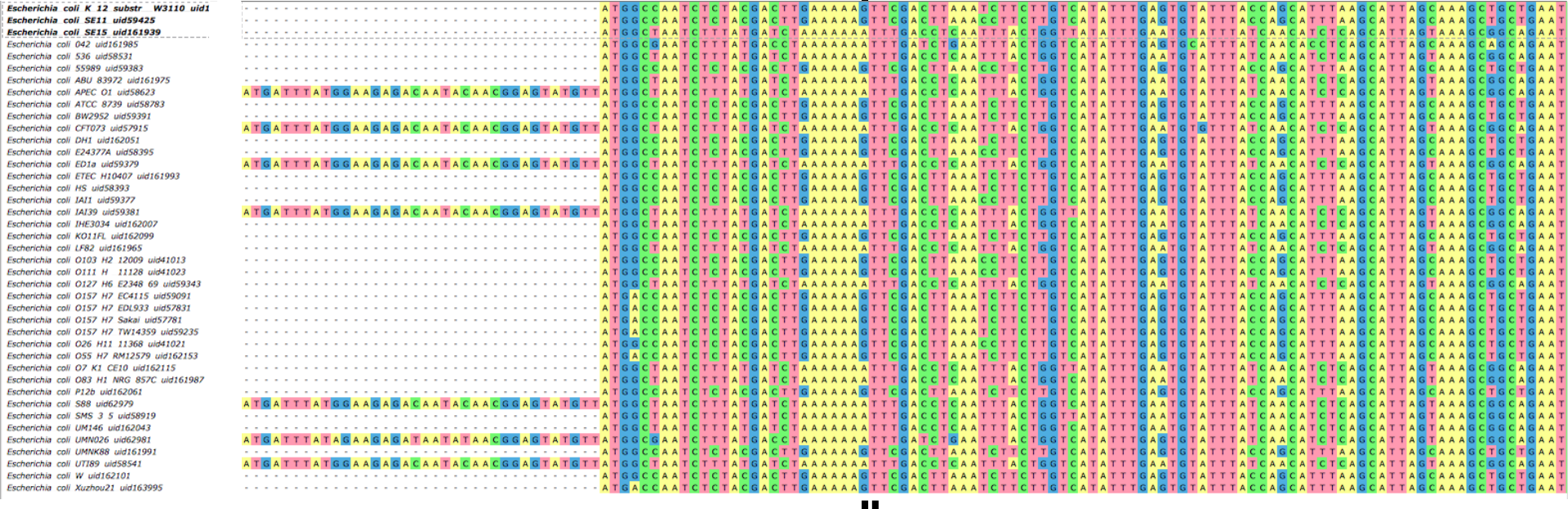
intergenic0112 (*dsbG-ybdO*)



Block-E

ortholog2573 (ybdO)

+27



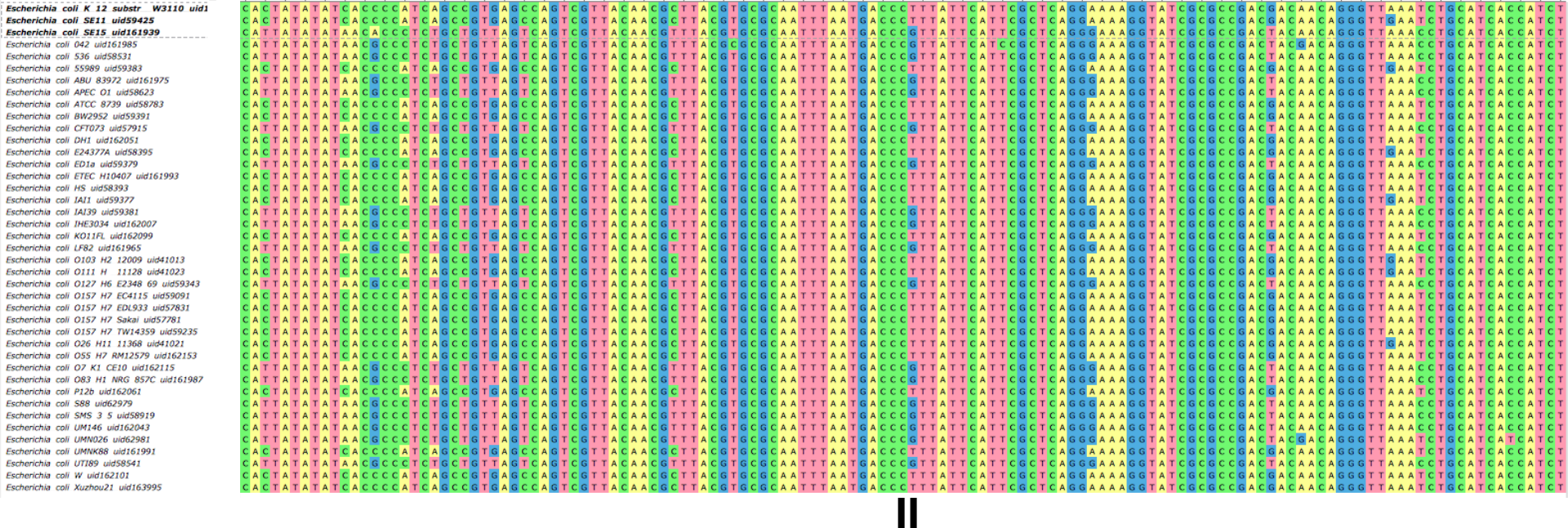
Block-E

Block-F

+164



ortholog2573 (ybdO)

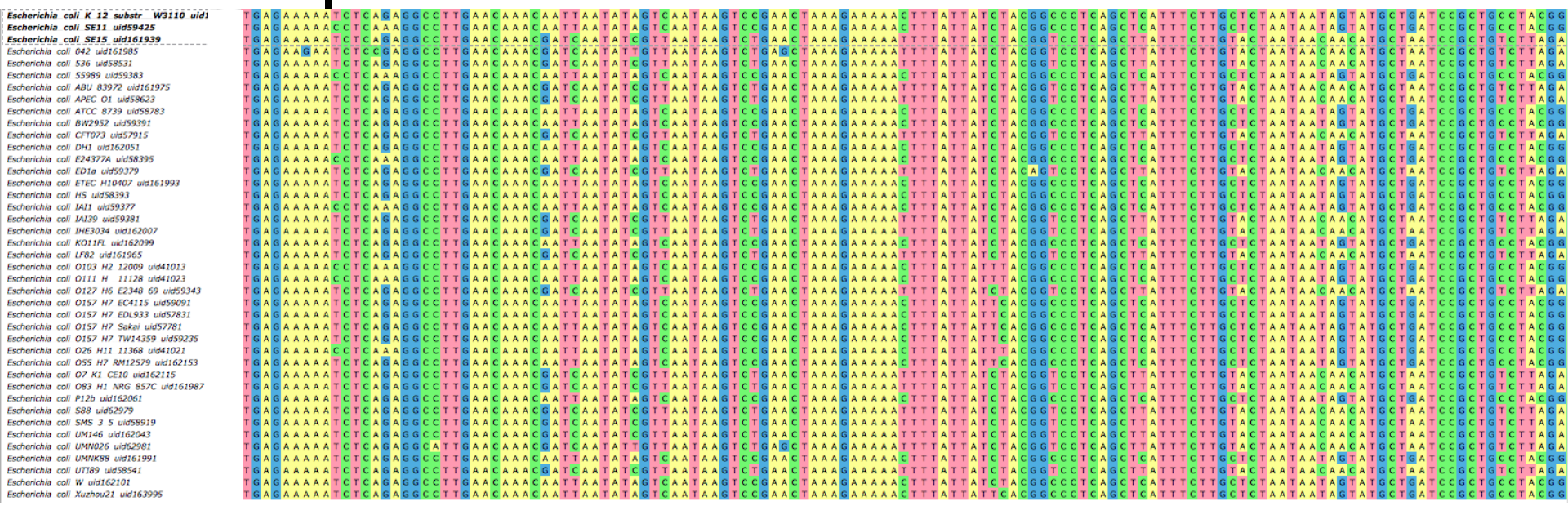


Block-F

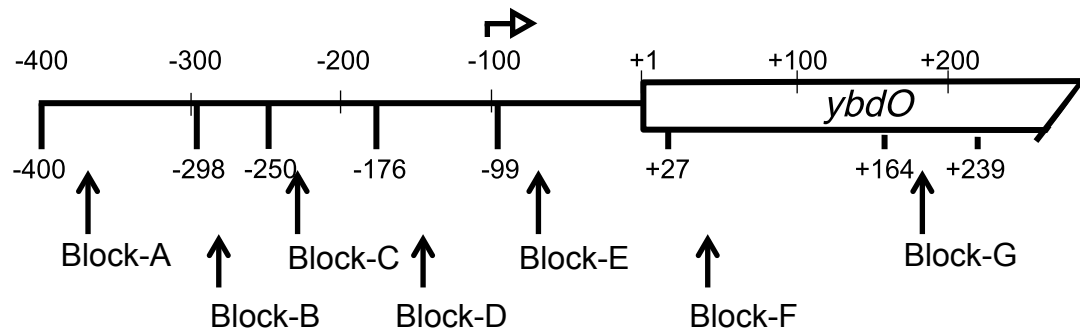
Block-G

ortholog2573 (ybdO)

+239



Block-G

B

Segregating site frequency

