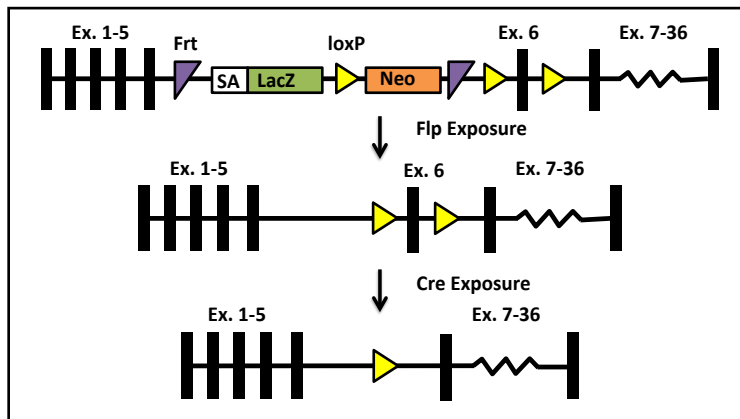


Serber et al., Supplemental Figure S1. *Ino80* ablation using conditional deletion strategy.

A) Diagram of *Ino80* conditional allele and strategy for deletion following CRE exposure.

B) Long-range PCR confirming proper 5' targeting of cassette for the *Ino80* conditional allele in two founder male animals.

A



B

