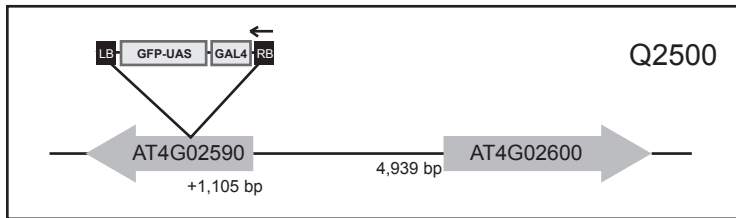
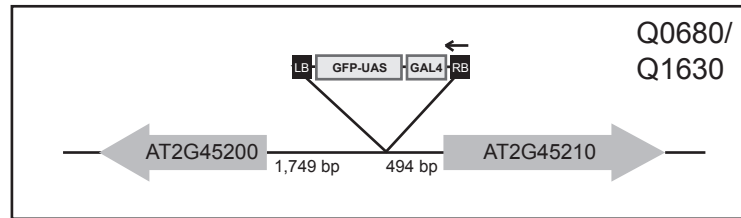


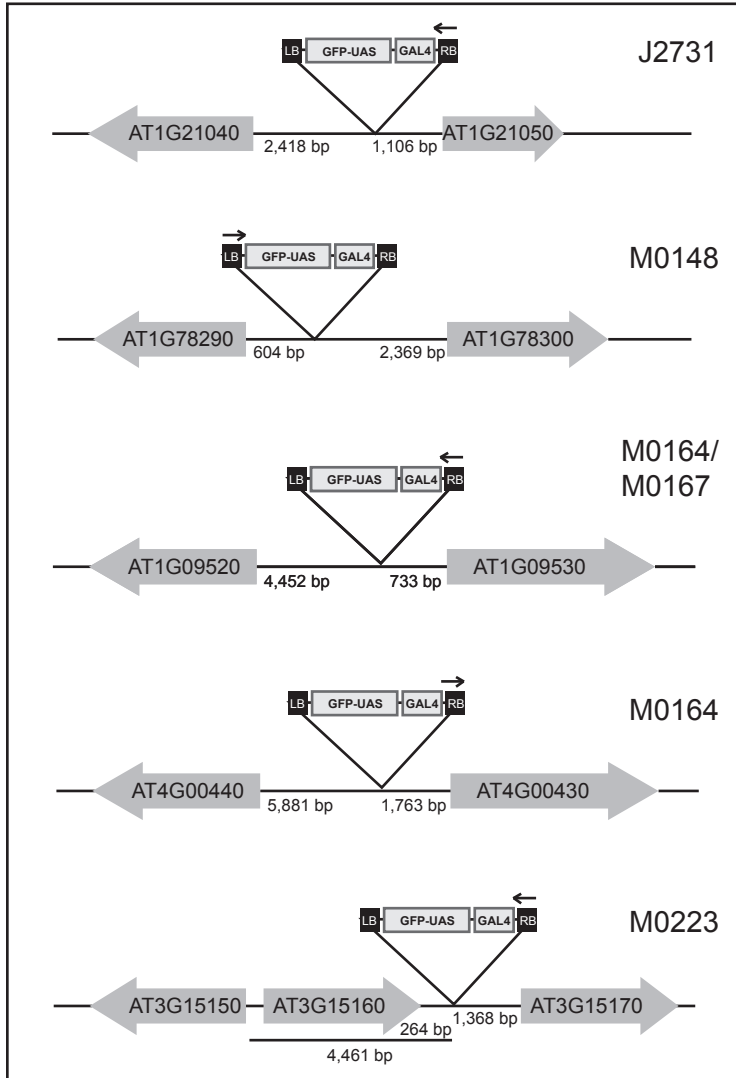
### Early embryo development lines



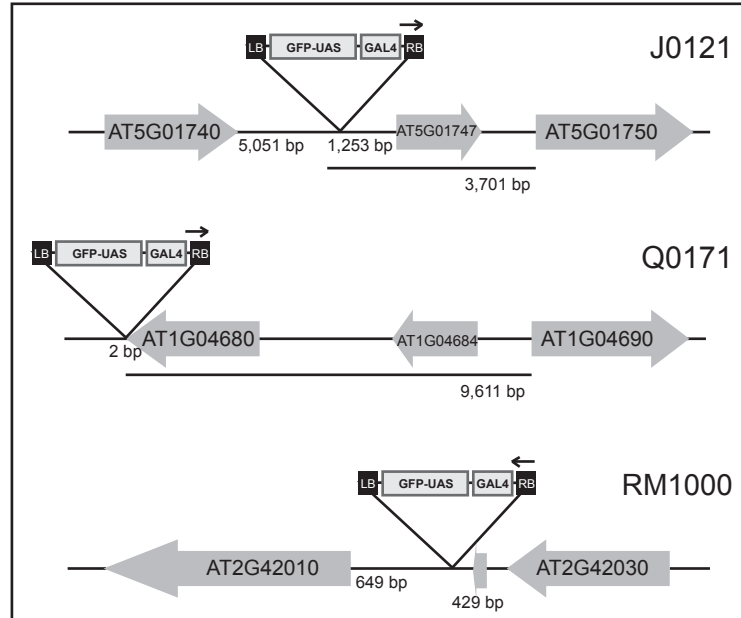
### Embryonic RAM lines (continued)



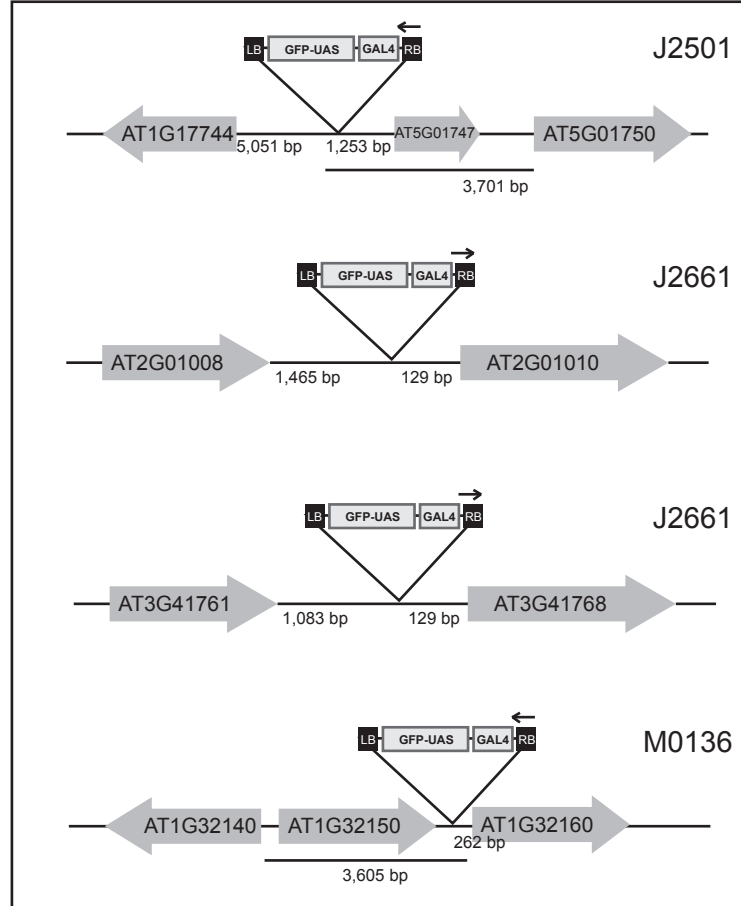
### Late embryo development lines



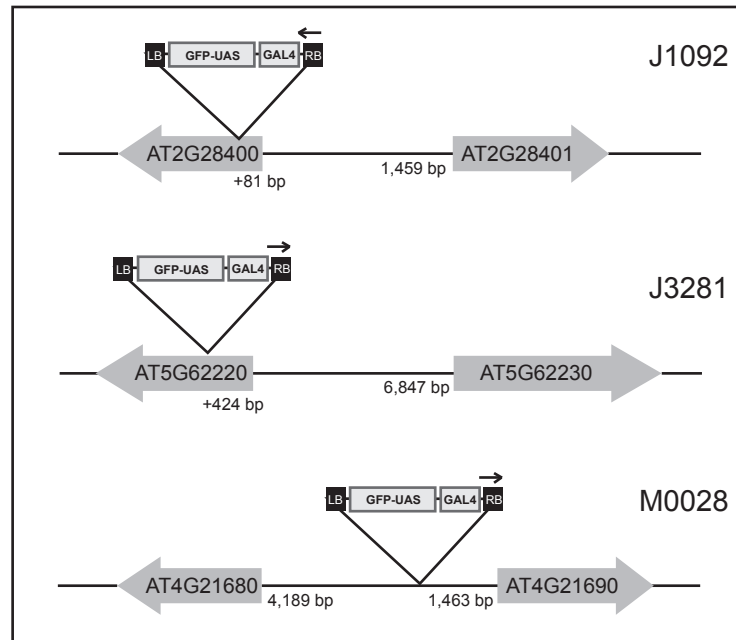
### Other lines



### No expression lines



### Embryonic RAM lines



Suppl. Fig. 2