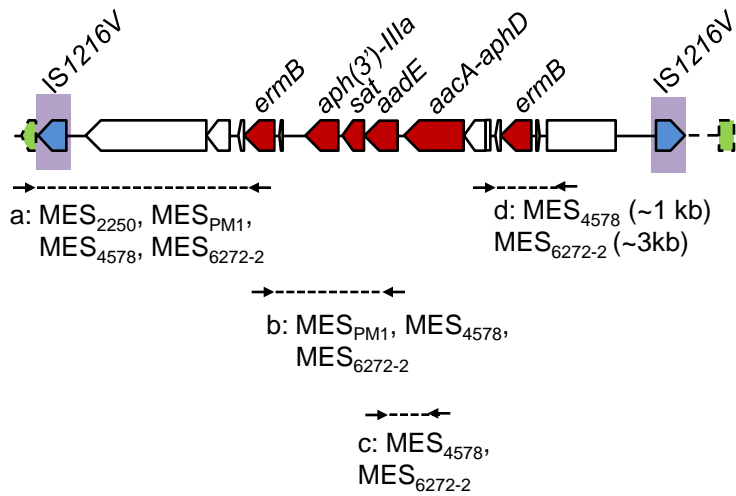
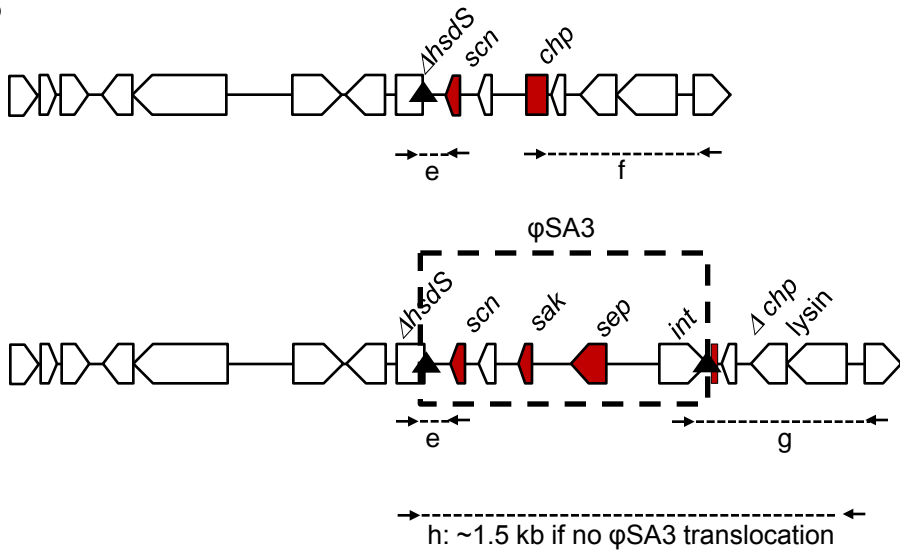


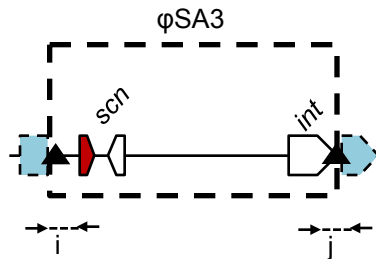
A



B



C



S1 Fig. Cartoon representation of PCR mapping.

Schematic maps of (A) MES, (B) vSaβ and (C) φSA3 integrated within *hlyB* are shown. The arrows below the structures indicate PCR primers, which are listed in S2 Table.