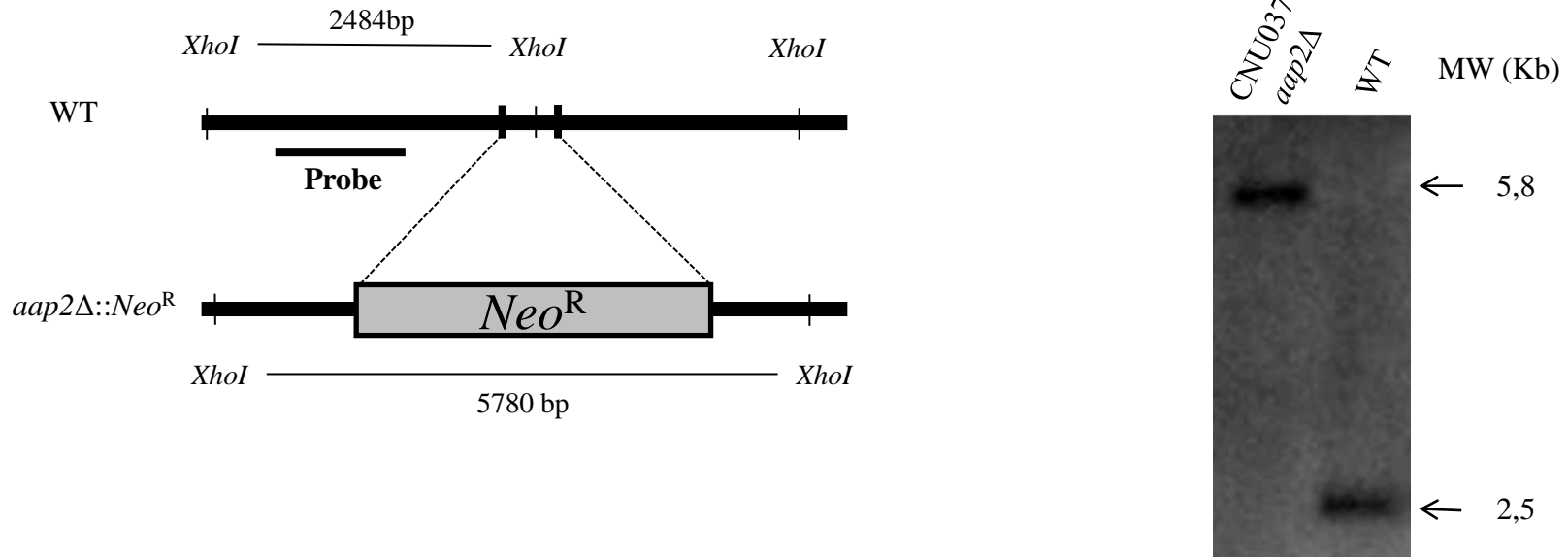
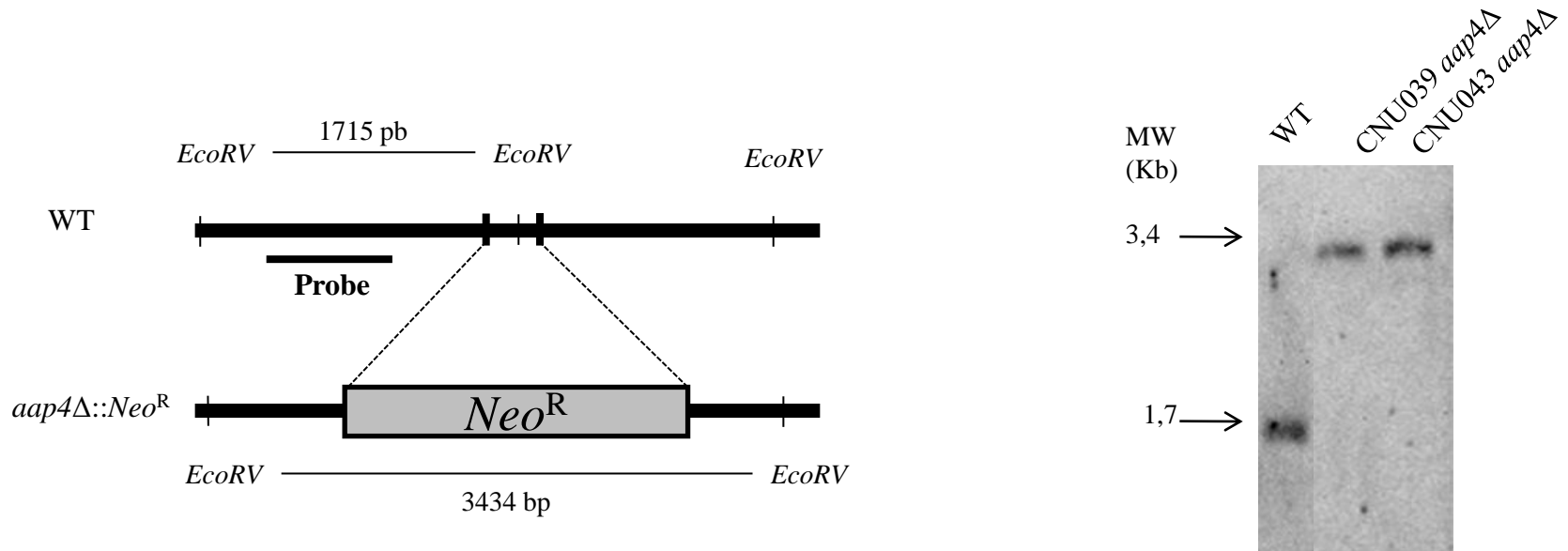


(A)



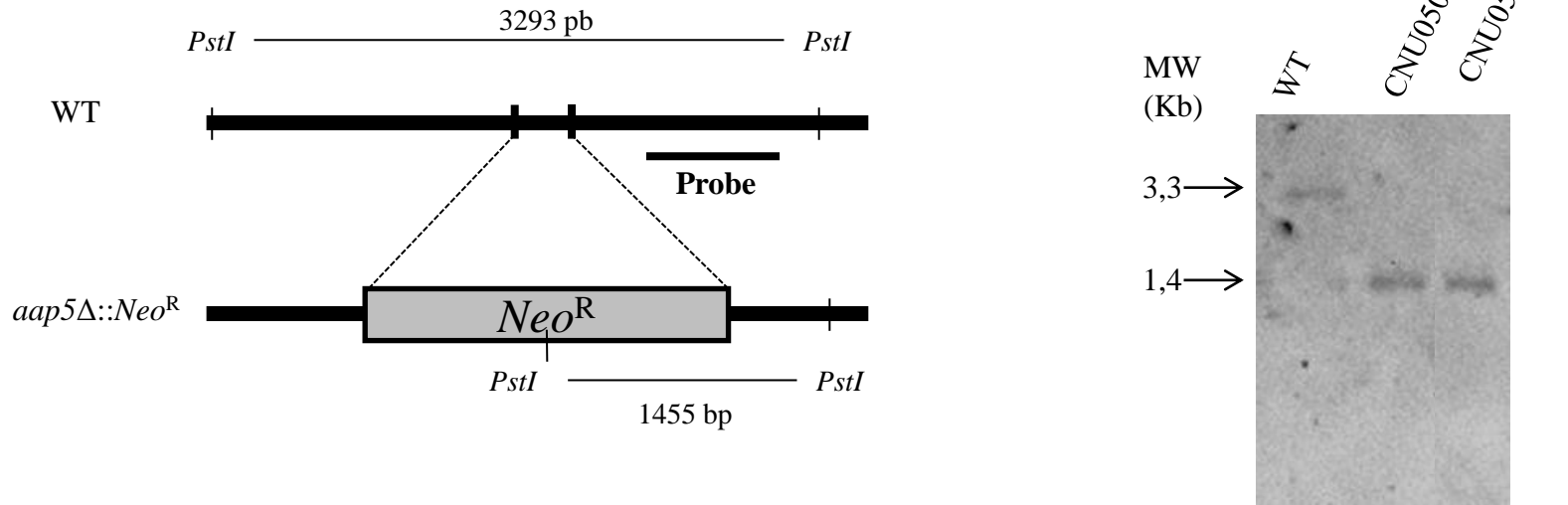
S1 Fig. Schematic representation of wild type and mutant loci and *southern blot* analysis of single and double mutants. (A) *aap2Δ*; (B) *aap4Δ*; (C) *aap5Δ*; (D) *aap4Δ/aap5Δ*; (E) *mup1Δ*; (F) *mup3Δ* and (G) *mup1Δ/mup3Δ*. MW = molecular weight; Kb = kilobase pairs

(B)



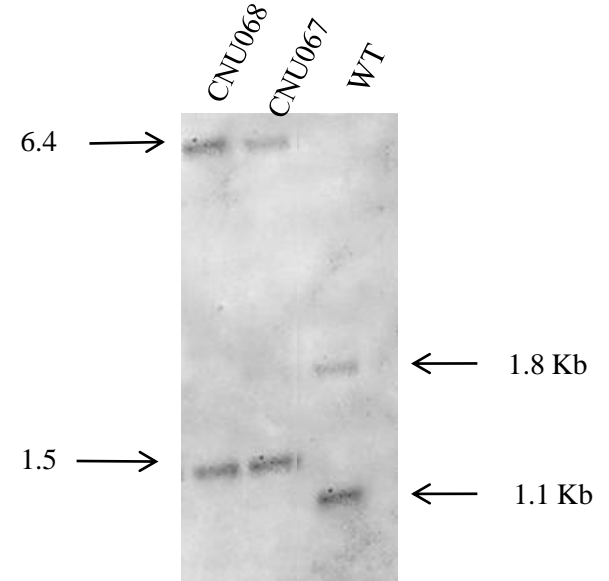
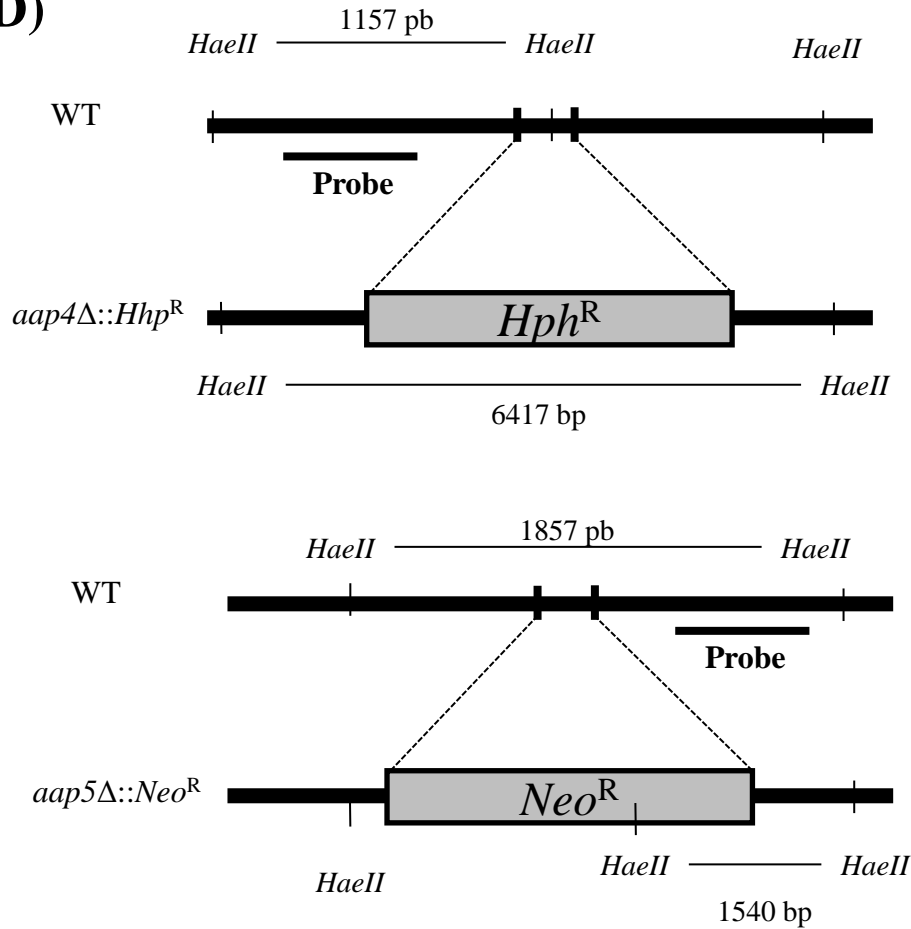
Supplementary Figure 1. Southern blot analysis of *aap4Δ::Neo^R*. **(C)** Schematic representation of *AAP4* locus with *EcoRV* sites. **(D)** Restriction pattern of *AAP4* locus in the wild type (WT) H99 and mutant strains (CNU039 and 043). MW = molecular weight; Kb = kilobase pairs

(C)



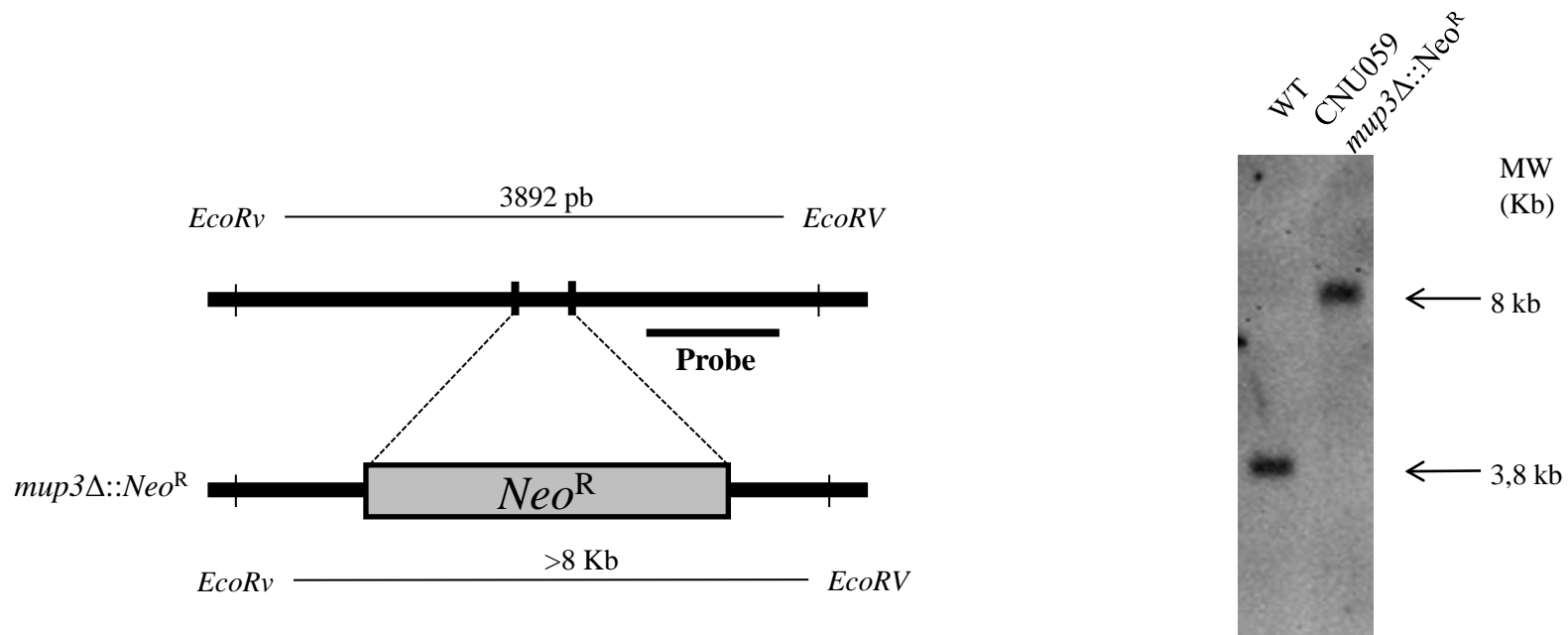
Supplementary Figure 1. Southern blot analysis of *aap5Δ::Neo^R*. (E) Schematic representation of *AAP5* locus with *PstI* sites. (F) Restriction pattern of *AAP5* locus in the wild type (WT) H99 and mutant strains (CNU050 and 052). MW = molecular weight; Kb = kilobase pairs

(D)



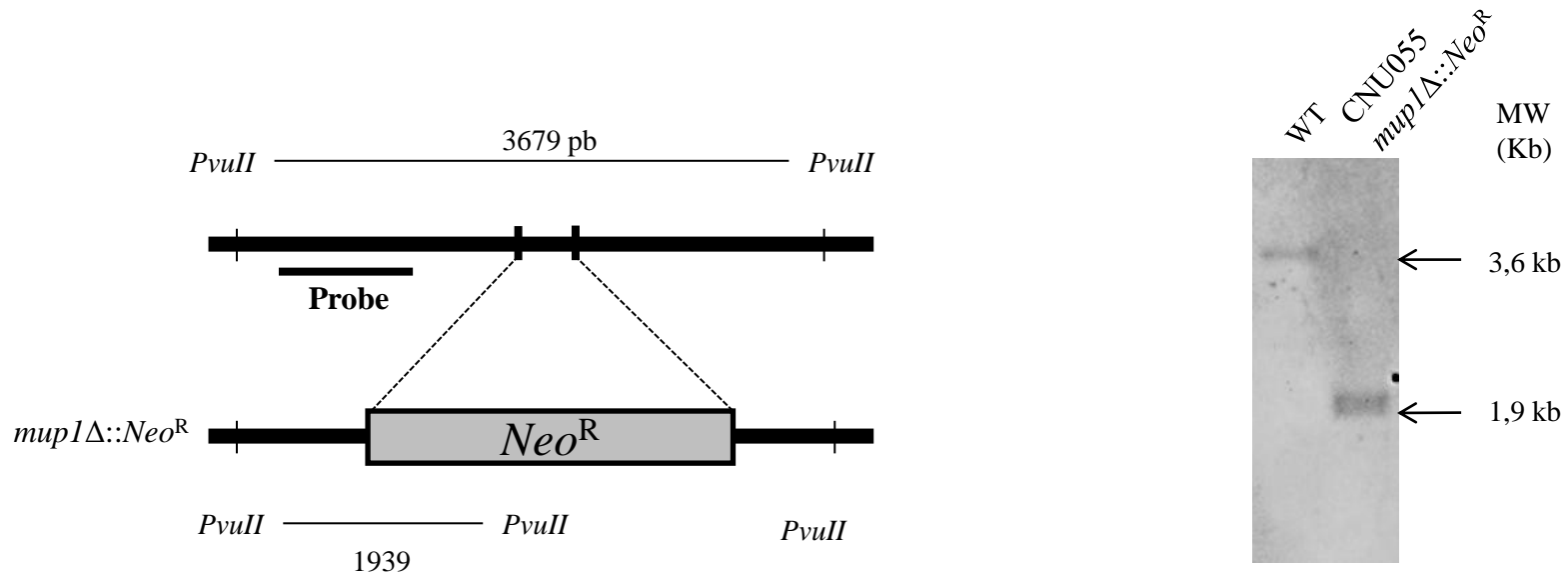
Supplementary Figure 1. Southern blot analysis of *aap4Δ::Hhp^R/aap5Δ::Neo^R*. (G) Schematic representation of *AAP4* and *AAP5* locus with *HaeII* sites. (H) Restriction pattern of *AAP4* and *AAP5* locus in the wild type (WT) H99 and mutant strains (CNU067 and 068). MW = molecular weight; Kb = kilobase pairs

(E)



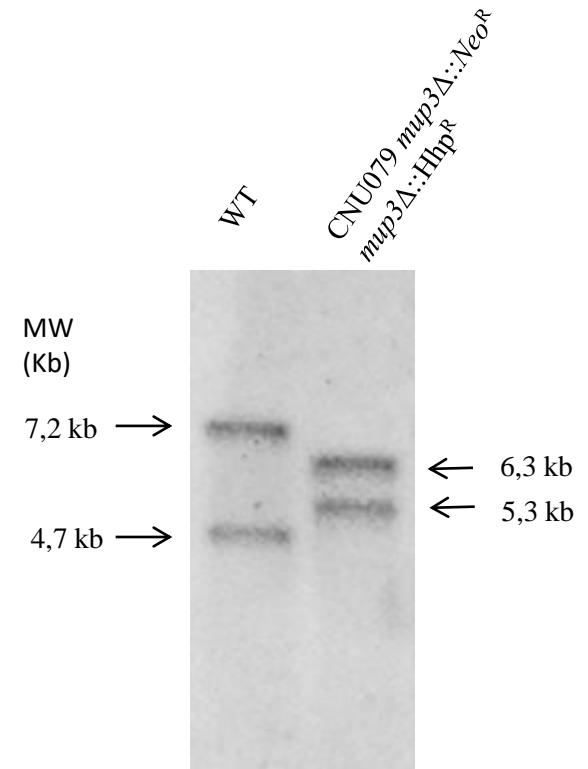
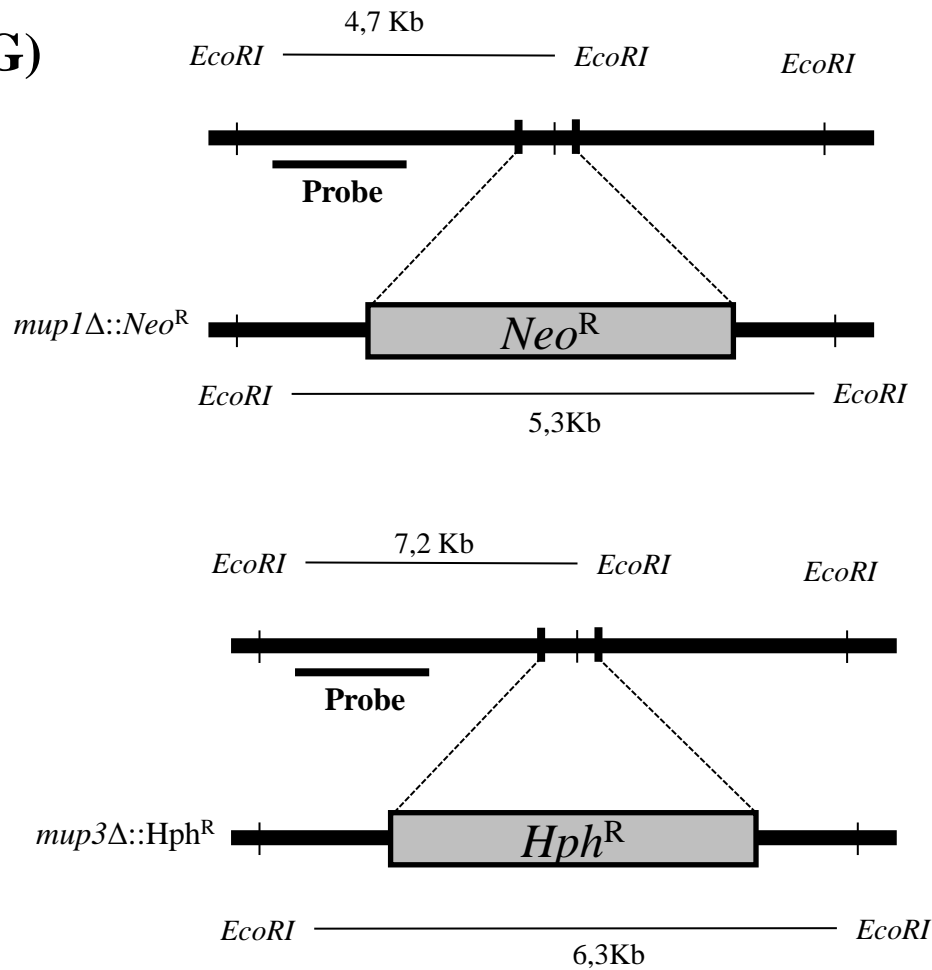
Supplementary Figure 1. Southern blot analysis of *mup3Δ::Neo^R*. (E) Schematic representation of *MUP3* locus with *EcoRV* sites. (F) Restriction pattern of *MUP3* locus in the wild type (WT) H99 and mutant strain (CNU0059). MW = molecular weight; Kb = kilobase pairs

(F)



Supplementary Figure 1. Southern blot analysis of *mup1Δ::Neo^R*. **(E)** Schematic representation of *MUP1* locus with *PvuII* sites. **(F)** Restriction pattern of *MUP1* locus in the wild type (WT) H99 and mutant strain (CNU0055). MW = molecular weight; Kb = kilobase pairs

(G)



Supplementary Figure 1. Southern blot analysis of *mup1*Δ::Neo^R; *mup3*Δ::Hph^R. (M) Schematic representation of *MUP1* and *MUP3* locus with *EcoRI* sites. (N) Restriction pattern of *MUP1* and *MUP3* locus in the wild type (WT) H99 and mutant strain (CNU079). MW = molecular weight; Kb = kilobase pairs