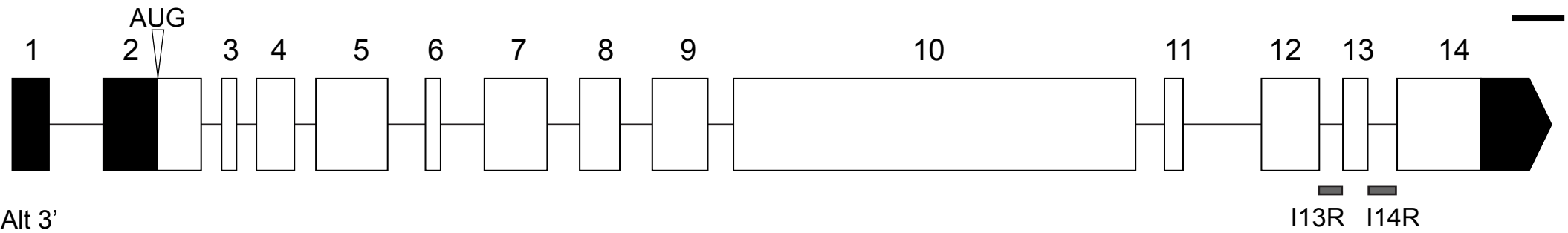
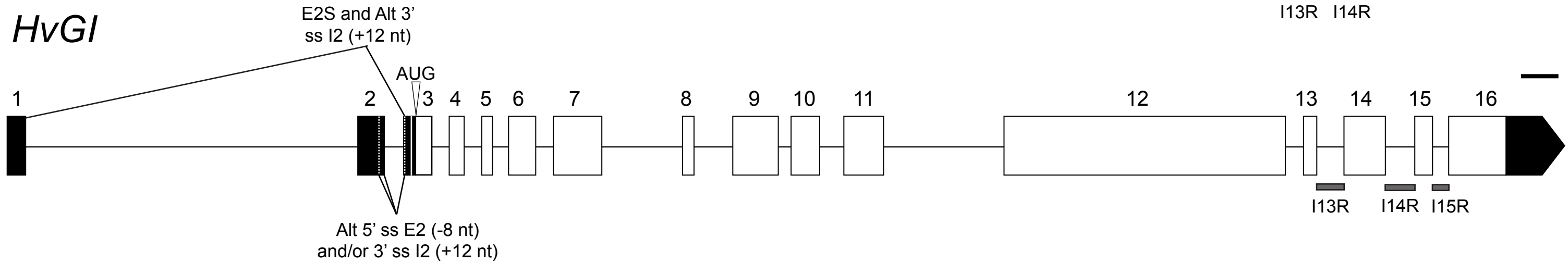


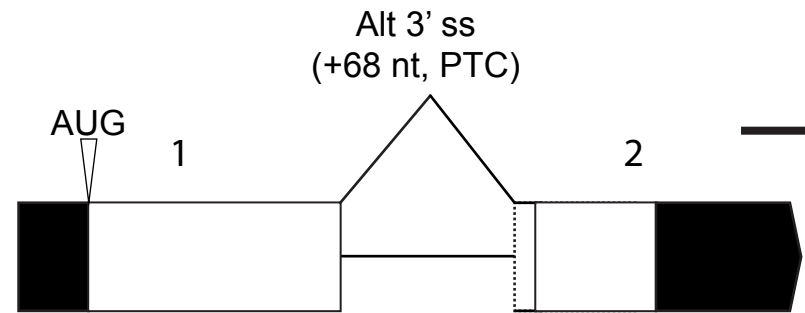
*AtGI*



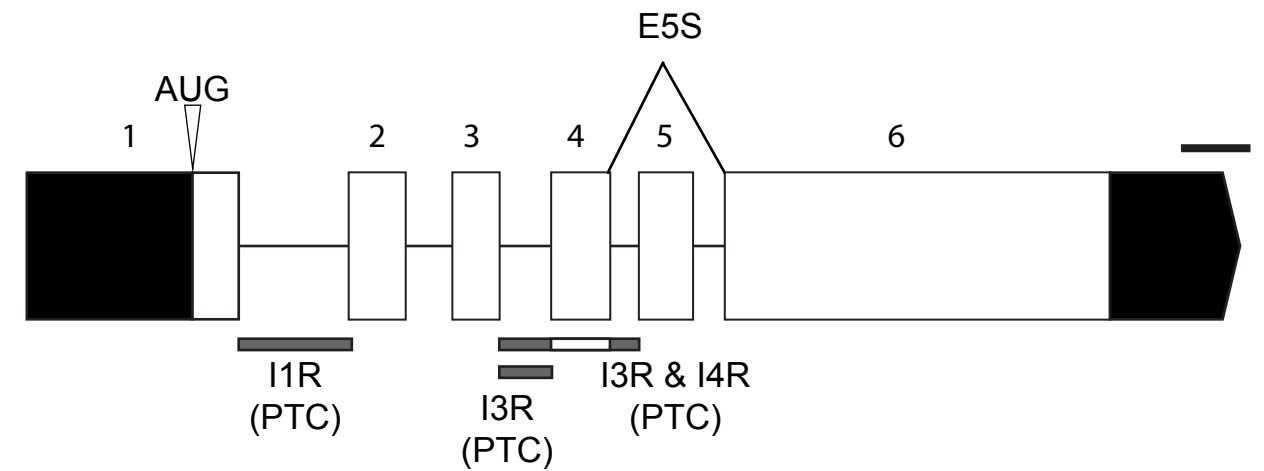
*HvGI*



*HvCO2*



*AtTOC1*



*HvTOC1*

