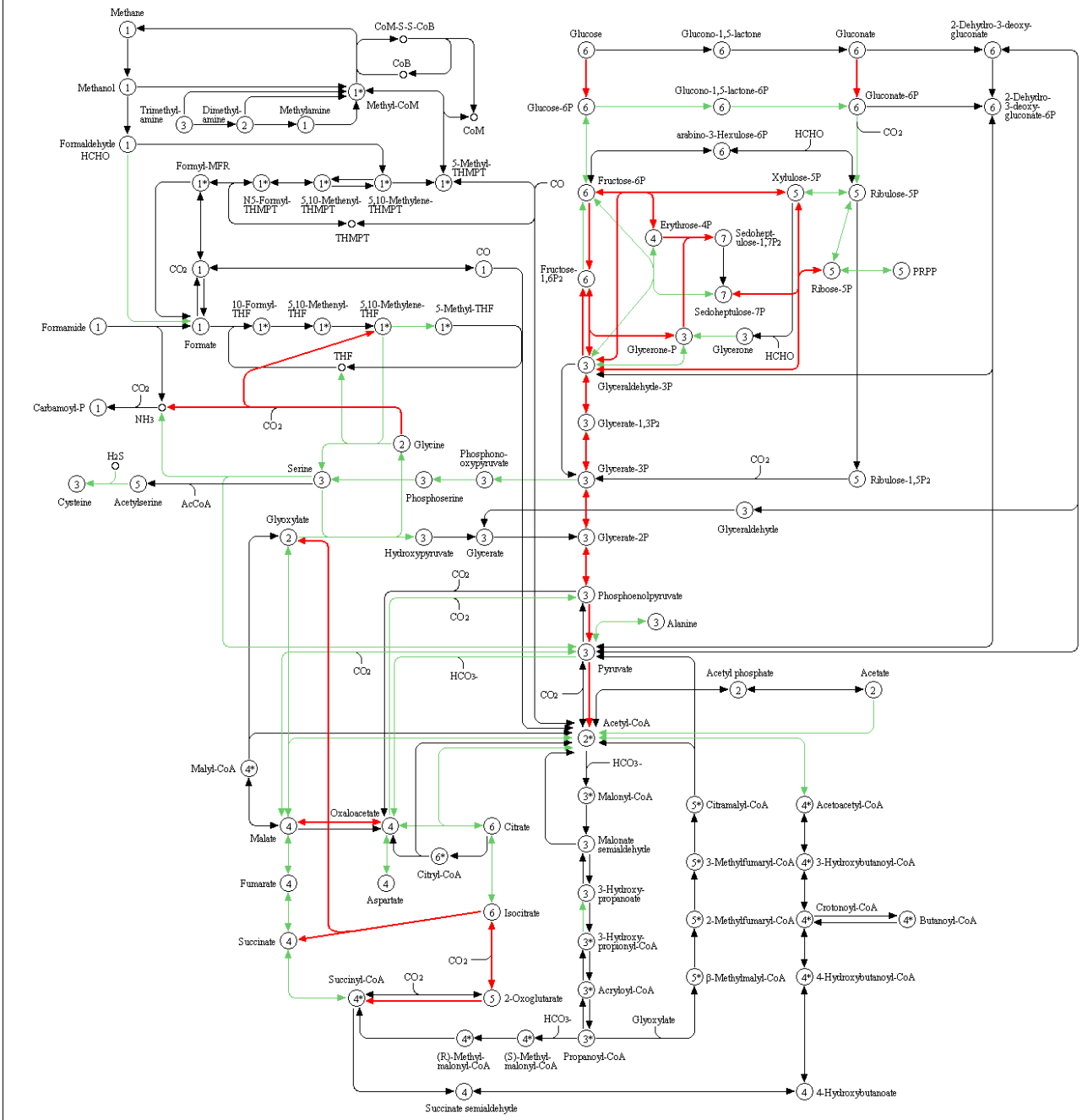


CARBON METABOLISM



01200 3/4/15
© Kanehisa Laboratories

Figure S4