

BIOSYNTHESIS OF AMINO ACIDS

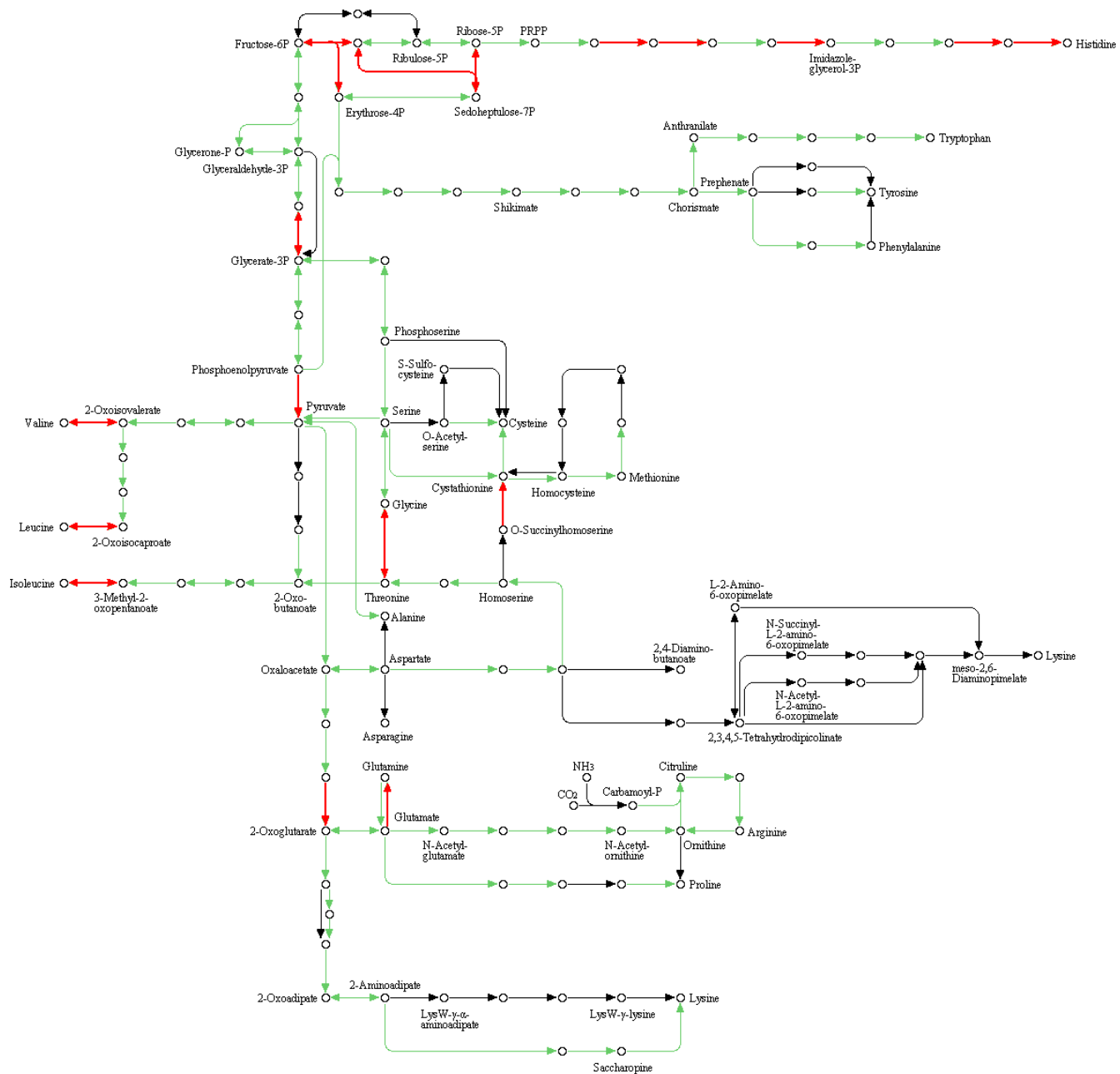


Figure S5