

**Genetic Variants Identified from Epilepsy of Unknown  
Etiology in Chinese Children by Targeted Exome  
Sequencing**

Yimin Wang<sup>1#</sup>, Xiaonan Du<sup>1#</sup>, Rao Bin<sup>2</sup>, Shanshan Yu<sup>2</sup>, Zhezhi Xia<sup>6</sup>, Guo Zheng<sup>7</sup>,  
Jianmin Zhong<sup>8</sup>, Yunjian Zhang<sup>1</sup>, Yong-hui Jiang<sup>3,4,5\*</sup>, Yi Wang<sup>1,9\*</sup>

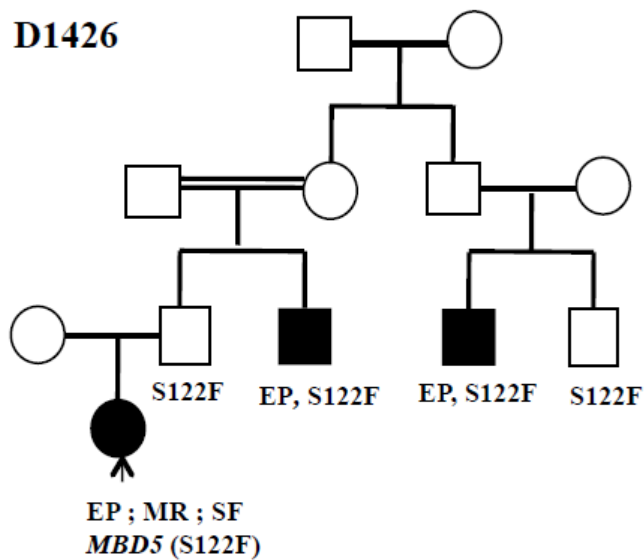
1. Division of Neurology, Children's Hospital of Fudan University, No. 399  
Wanyuan Road, Shanghai, 201102, China
2. BGI, Shenzhen, 518083, China
3. Division of Medical Genetics, Department of Pediatrics, Duke University School  
of Medicine, 905 S. LaSalle ST, Durham, NC USA
4. University of Genomics and Genetics Program, Department of Pediatrics, Duke  
University, 905 S. LaSalle ST, Durham, NC USA
5. Department of Neurobiology, Duke University School of Medicine, 905 S.  
LaSalle ST, Durham, NC USA
6. Zhe Jiang Children's Hospital, No. 3333 Binsheng Road, Hangzhou, Zhejiang,  
P.R. China
7. Nan Jing Children's Hospital, No.72, Guangzhou Road, Nanjing, P.R.China
8. Jiangxi Children's Hospital, No.122, Yangming Road, Nanchang, P.R. China
9. Institute of Brain Science, Fudan University, 138, Yi Xue Yuan Rd, Shanghai,  
200032, China

#; co-first author

**\*Correspondence:**

Wang Yi, MD, Ph.D

Division of Neurology,  
Children's Hospital of Fudan University  
No 399 Wan Yuan Road, Shanghai City 201102 P.R. China  
Tel: 86-21-64931905  
Email: [yiwang@shmu.edu.cn](mailto:yiwang@shmu.edu.cn)  
Yong-hui Jiang, MD, PhD  
Department of Pediatric  
Duke University School of Medicine  
Durham NC USA 27710  
Tel:919-681-2789  
Email: [yong-hui.jiang@duke.edu](mailto:yong-hui.jiang@duke.edu)



**Supplementary Figure S1:** A novel SNP of VUS identified in o family D1426 (c.365

C>T, p.Ser122Phe) in MBD. EP : Epilepsy.