

These are the supplementary materials of our manuscript (SREP-16-01706A) entitled “A potential role of transposon IS431 in the loss of *mecA* gene”. The authors of our manuscript are Aihua Wang^{1#}, Kai Zhou^{2#}, Yang Liu^{3#}, Liang Yang³, Qin Zhang⁴, Jing Guan¹, Nanshan Zhong¹, Chao Zhuo^{1*}.

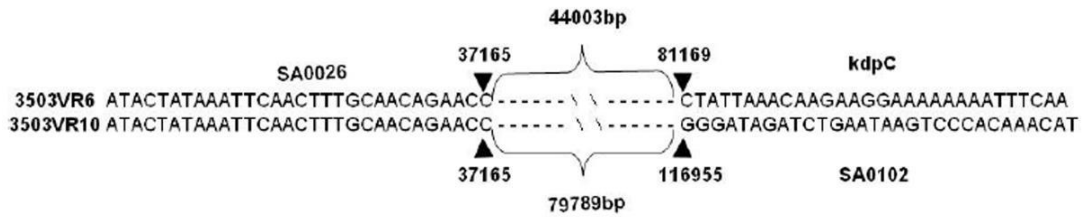


Figure S1. SCC*mec* deletion site in 3503VR6 and 3503VR10

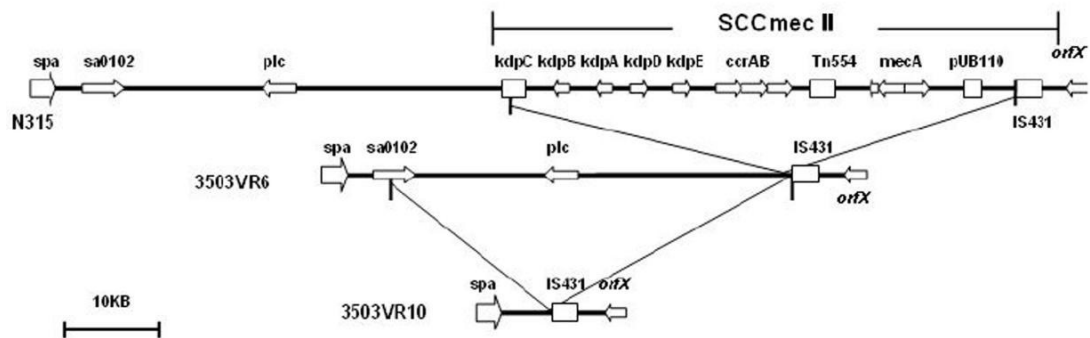


Figure S2. Schematic diagram showing the deletion regions of strains 3503VR6 and 3503VR10