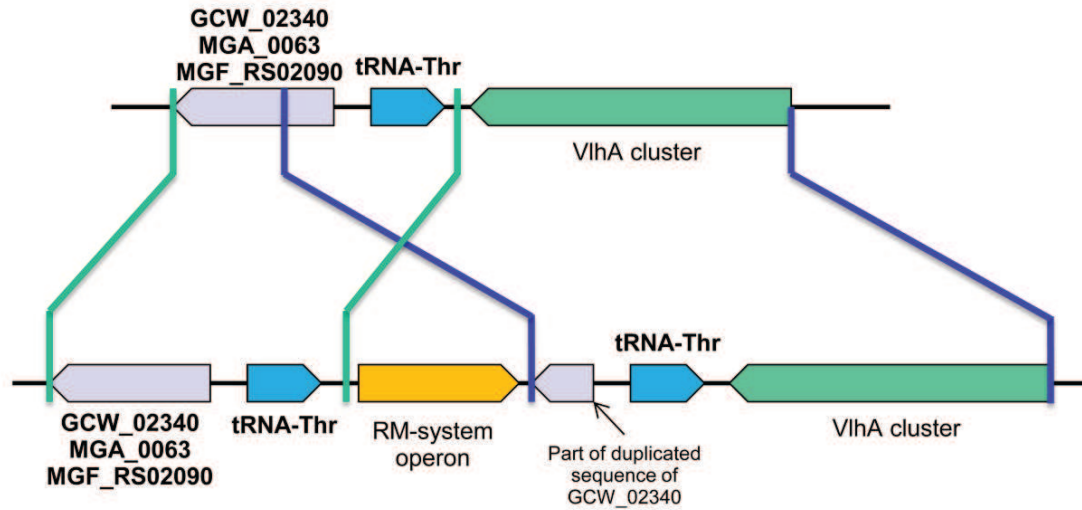


***M. gallisepticum* str. R(low) and F**



***M. gallisepticum* str. S6**

Supplementary figure 4. Genomic rearrangements near *hsd* (GCW_02350- GCW_02365) operon insertion in *M. gallisepticum* S6 strain in comparison to R(low) and F strains. Uptake of *hsd* operon resulted in a large genomic duplication.