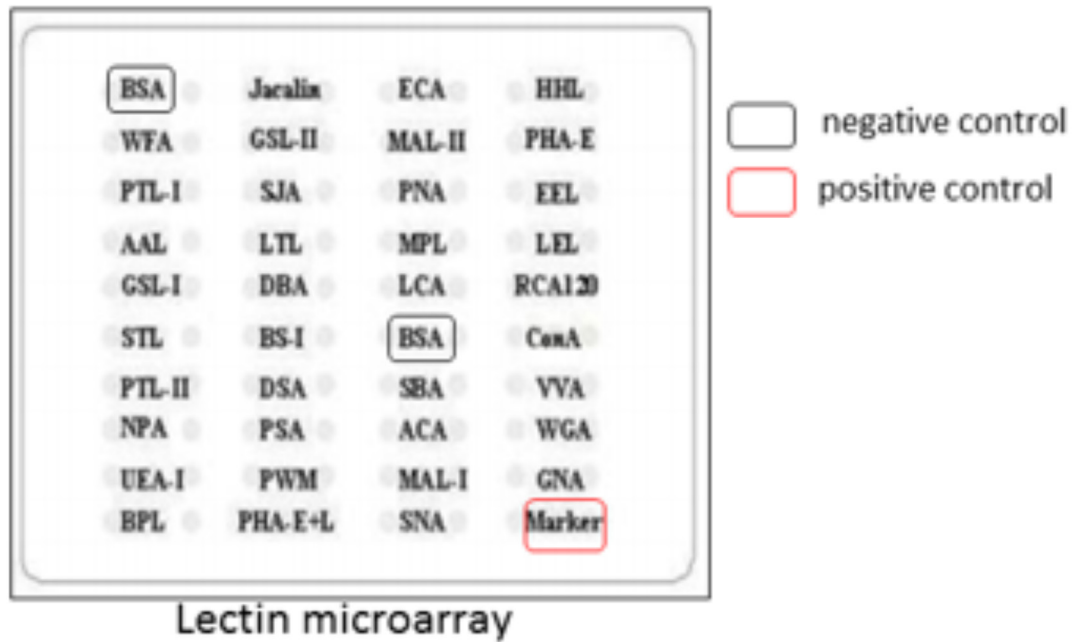


## Identification of aberrantly expressed glycans in gastric cancer by integrated lectin microarray and mass spectrometric analyses

### SUPPLEMENTARY FIGURE AND TABLES



Supplementary Figure S1: lectin microarrays containing 37 lectins (Supplementary Table S2), two negative controls (BSA), and one positive control (Cy3-BSA).

**Supplementary Table S1: Patients' information**

<b>Characteristics</b>	<b>gastric cancer (n=120)</b>
Gender	
Male	94
Female	26
Age at diagnosis	
$\geq 64$	61
$< 64$	59
Nodal status	
Positive	88
Negative	32
T stage	
T1-T2	26
T3-T4	94
Differentiation	
Well and moderate	60
Poor	60
TNM stage	
I-II	59
III-IV	61

**Supplementary Table S2: Thirty-seven lectins and their relative intensity in gastric cancer and GSE-1 cell lines detected by lectin microarray.**

**See Supplementary File 1**