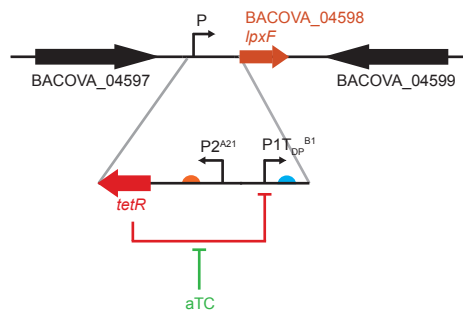


A.



B.

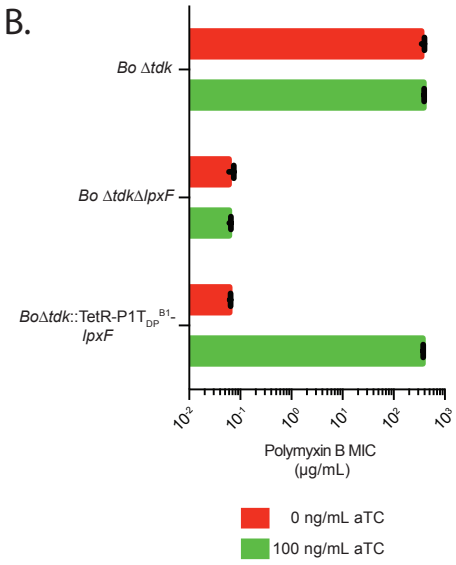


Figure S3. Related to Figure 5.