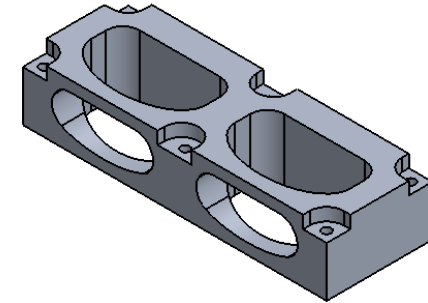
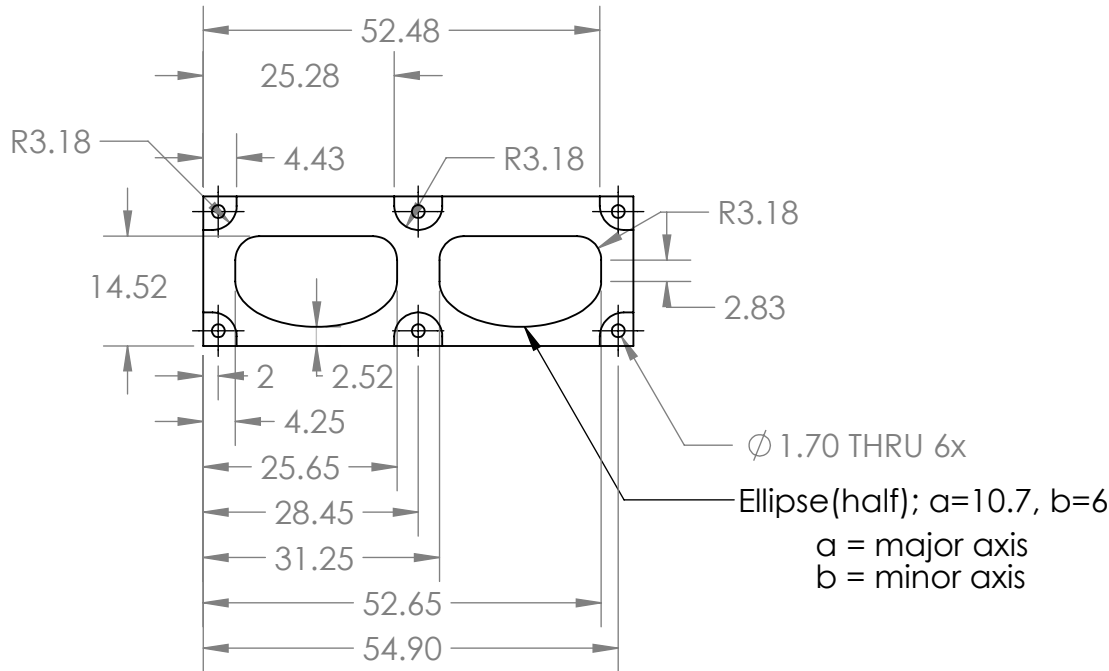


2

1

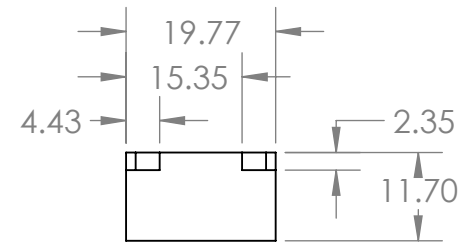
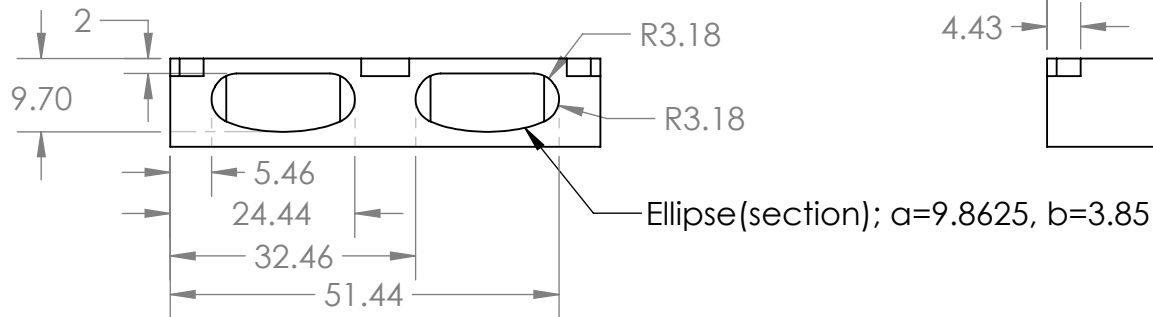
B

B



A

A

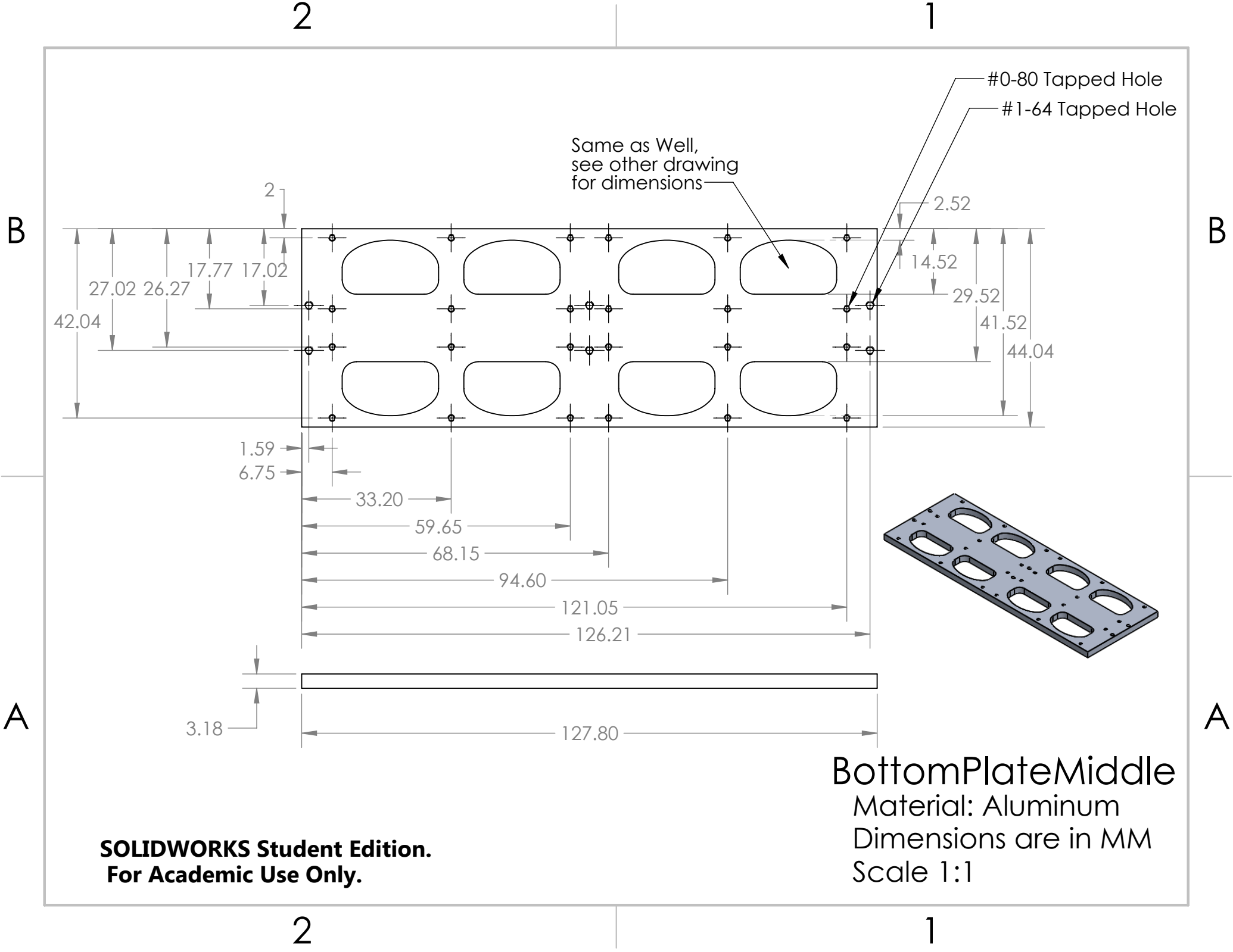


SOLIDWORKS Student Edition.
For Academic Use Only.

SingleChamber
 DIMENSIONS ARE IN MM
 Material: Polypropylene
 Scale 1:1

2

1



2

1

B

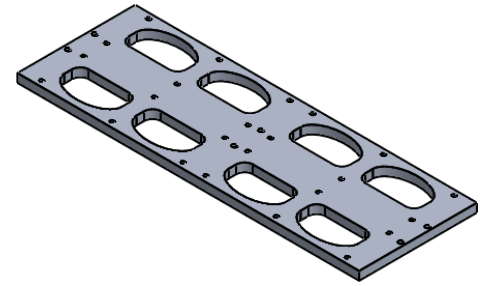
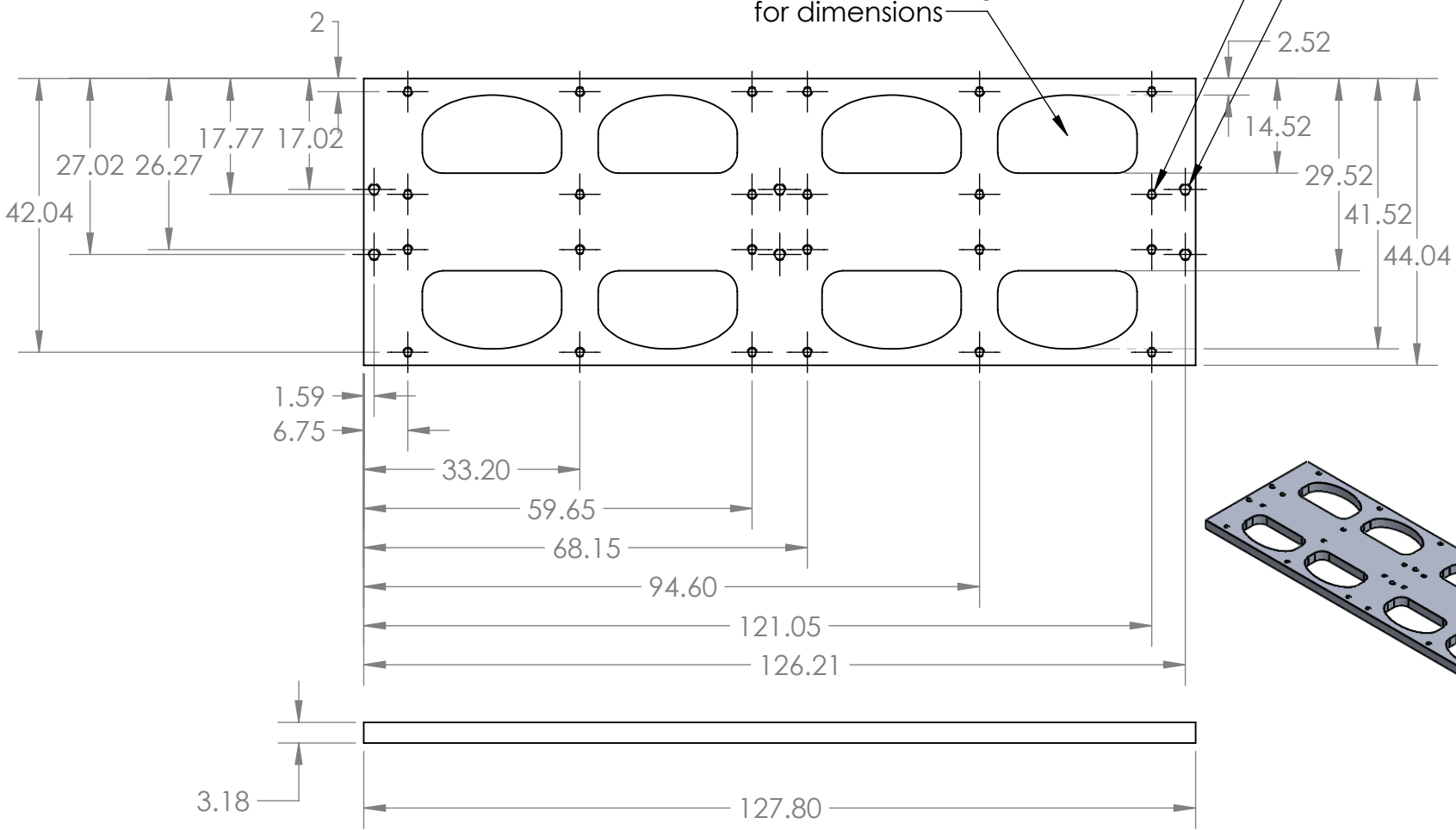
B

A

A

Same as Well,
see other drawing
for dimensions

#0-80 Tapped Hole
#1-64 Tapped Hole



BottomPlateMiddle
Material: Aluminum
Dimensions are in MM
Scale 1:1

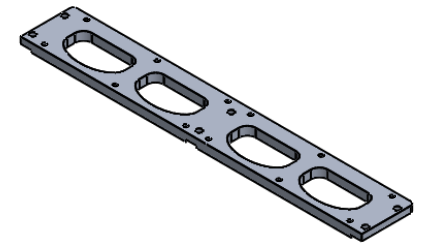
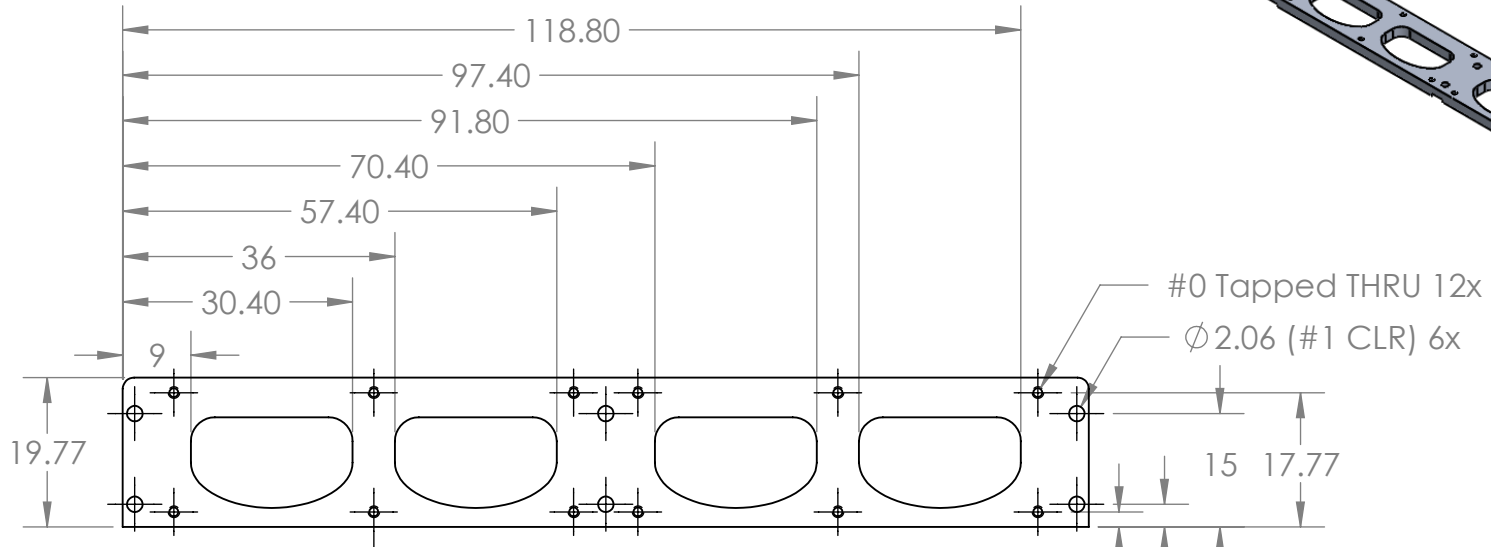
SOLIDWORKS Student Edition.
For Academic Use Only.

2

1

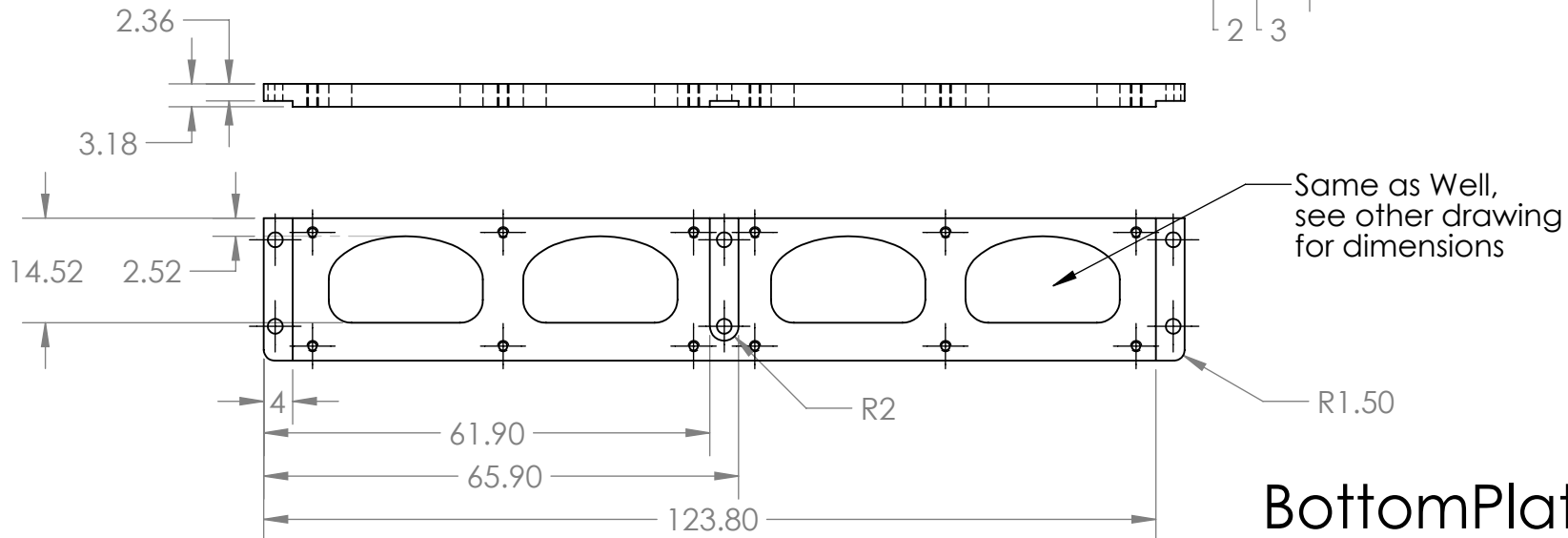
B

B



A

A



BottomPlateSide

Material: Aluminum
 Dimensions are in MM
 Scale 1:1

SOLIDWORKS Student Edition.
For Academic Use Only.

2

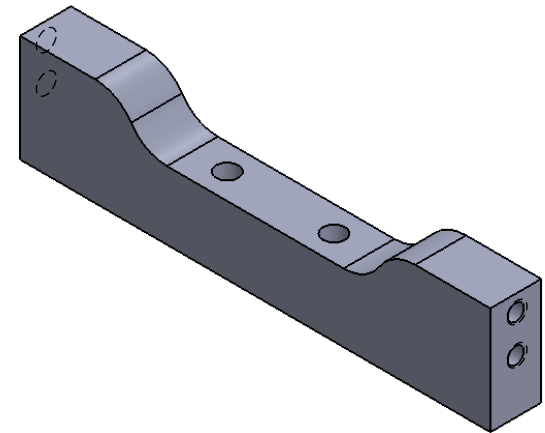
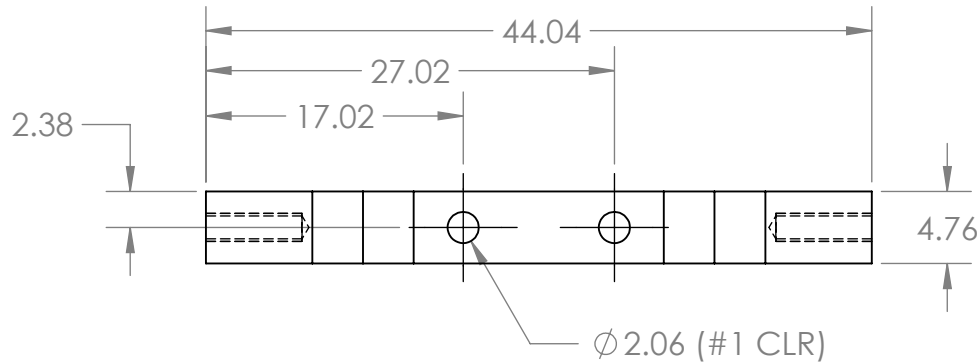
1

2

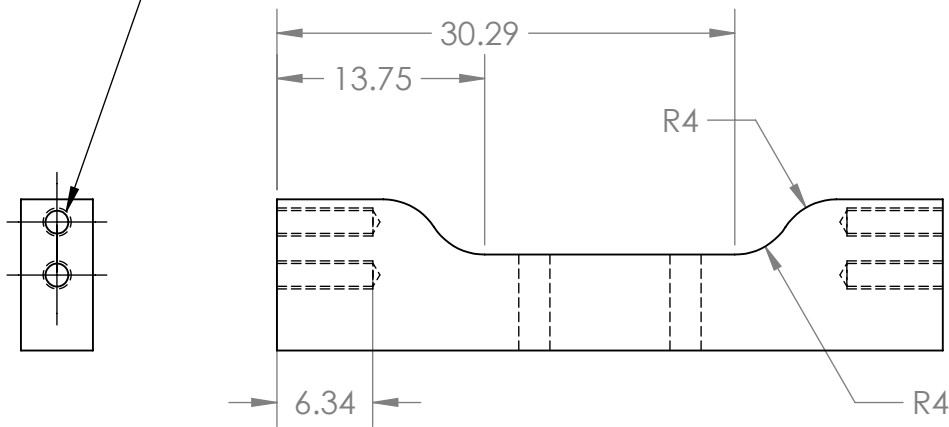
1

B

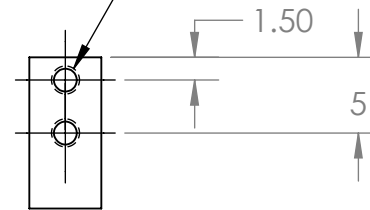
B



#1-64 Tapped Hole



#1-64 Tapped Hole



A

A

MiddlePlateSide

Material: Aluminum

Dimensions are in MM

Scale 2:1

SOLIDWORKS Student Edition.
For Academic Use Only.

2

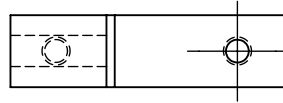
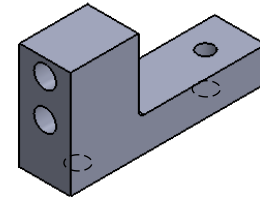
1

2

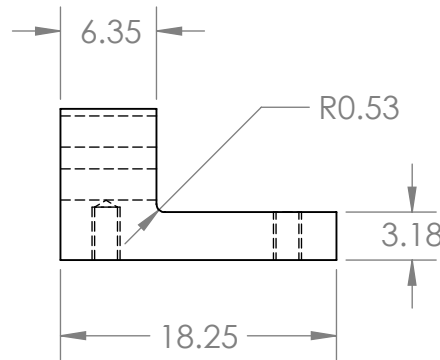
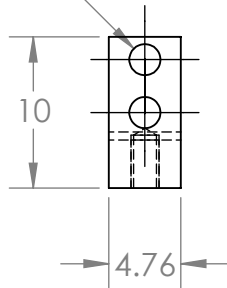
1

B

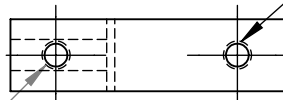
B



Ø 2.06 THRU
#1 CLR 2x



1-64 Tapped Hole
▽ 3.50



1-64 Tapped Hole THRU

A

SidePlateSide

Dimensions are in MM

Material: Aluminum

Scale 2:1

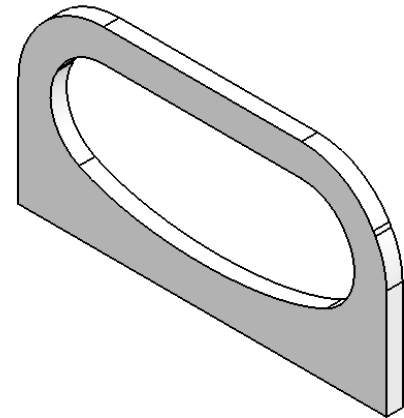
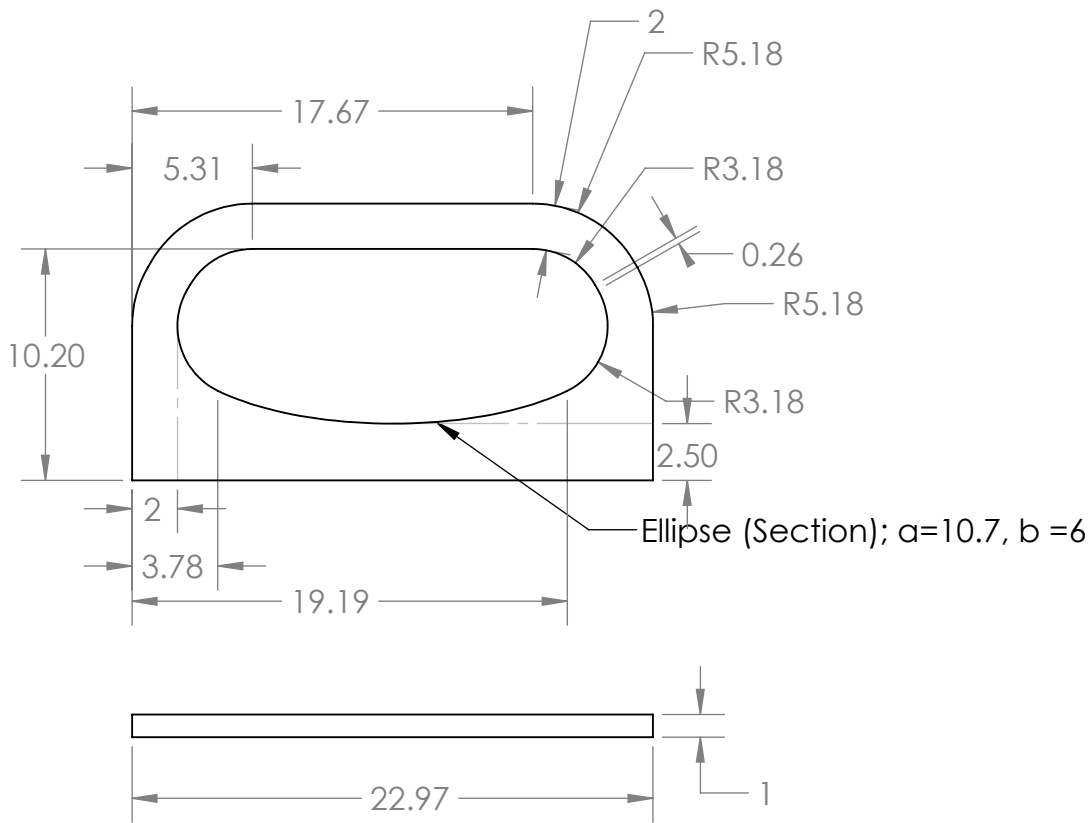
SOLIDWORKS Student Edition.
For Academic Use Only.

2

1

A

B



B

A

Larger_membrane_gasket

Material: Silicone

Dimensions are in MM

Scale 3:1

SOLIDWORKS Student Edition.
For Academic Use Only.

A

2

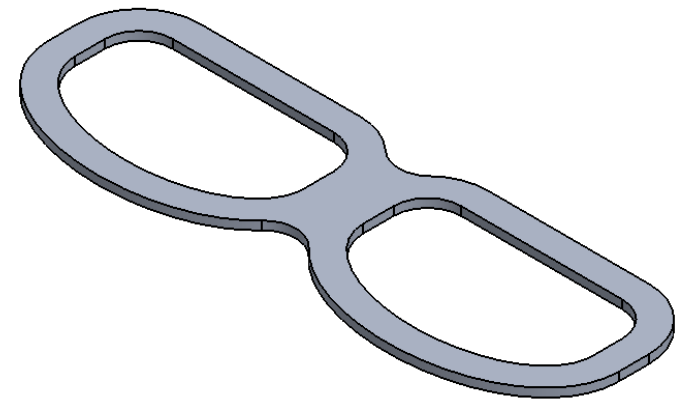
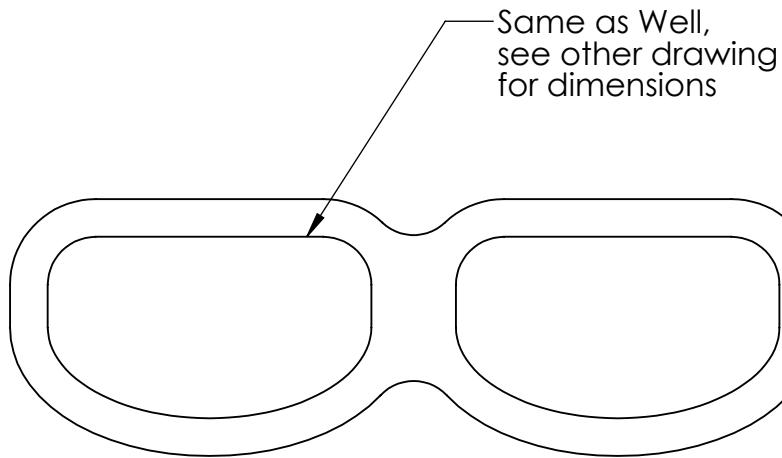
1

2

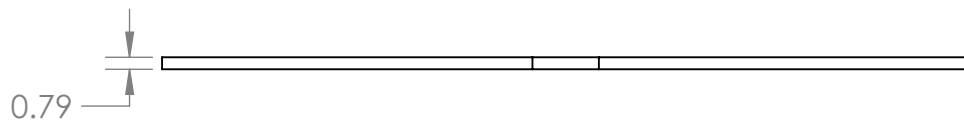
1

B

B



Same as Polycarbonate bottom,
see other drawing
for dimensions



A

A

SOLIDWORKS Student Edition.
For Academic Use Only.

BottomGasket
Material: silicone
Dimensions are in MM
Scale 2:1

2

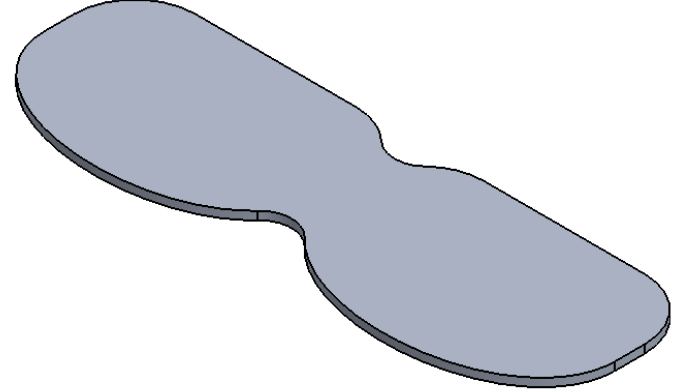
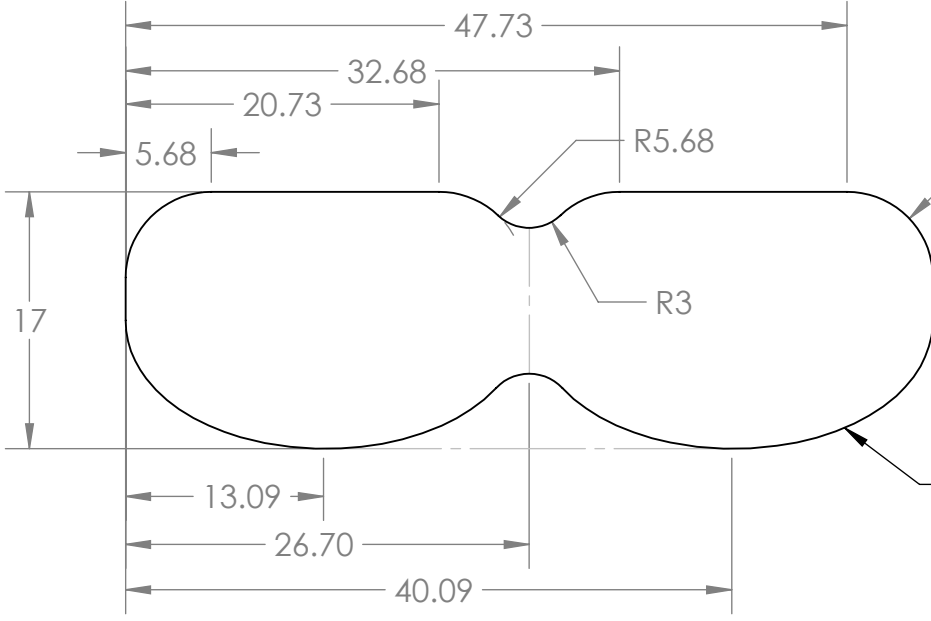
1

2

1

B

B



Ellipse (Section): a = 12.7, b = 8



A

A

BottomPolyCarb
 Material: Polycarbonate
 Dimensions are in MM
 Scale 2:1

SOLIDWORKS Student Edition.
For Academic Use Only.

2

1