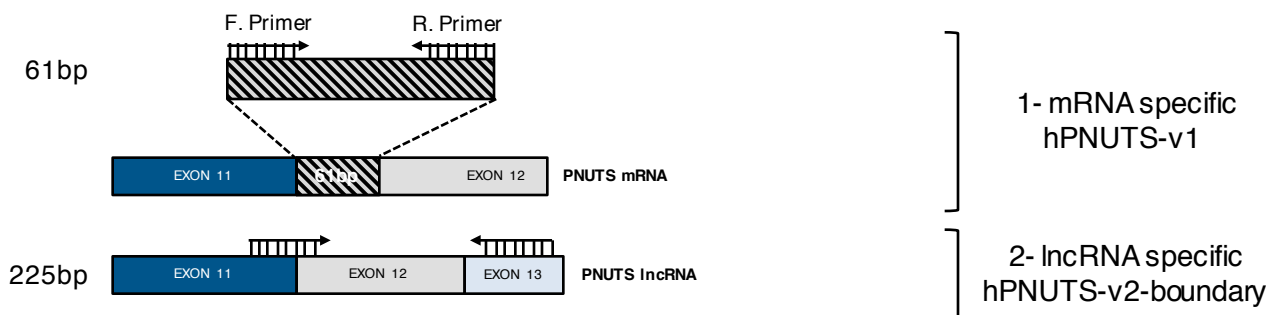


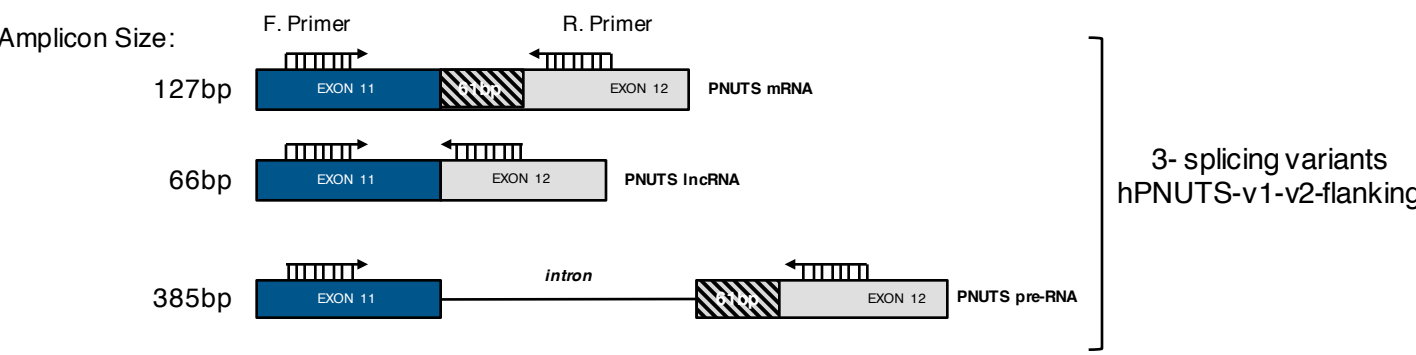
a

Splice-Specific PCR

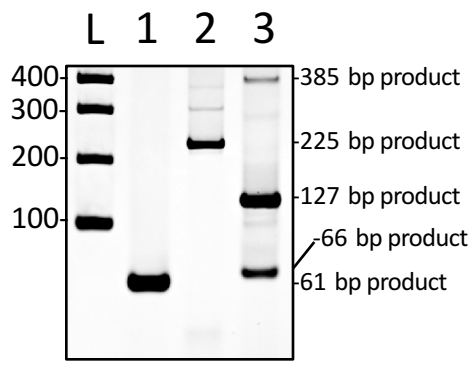


b

Competitive, end-point PCR



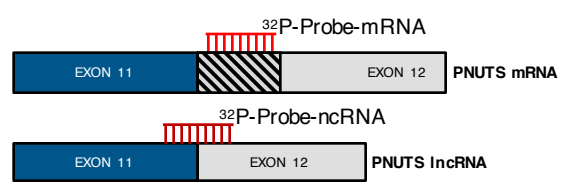
c



L - Ladder
 1- mRNA specific hPNUTS-v1
 2- lncRNA specific hPNUTS-v2-boundary
 3- splicing variants hPNUTS-v1-v2-flanking

d

Northern blot



e

SiRNA/shRNA design

