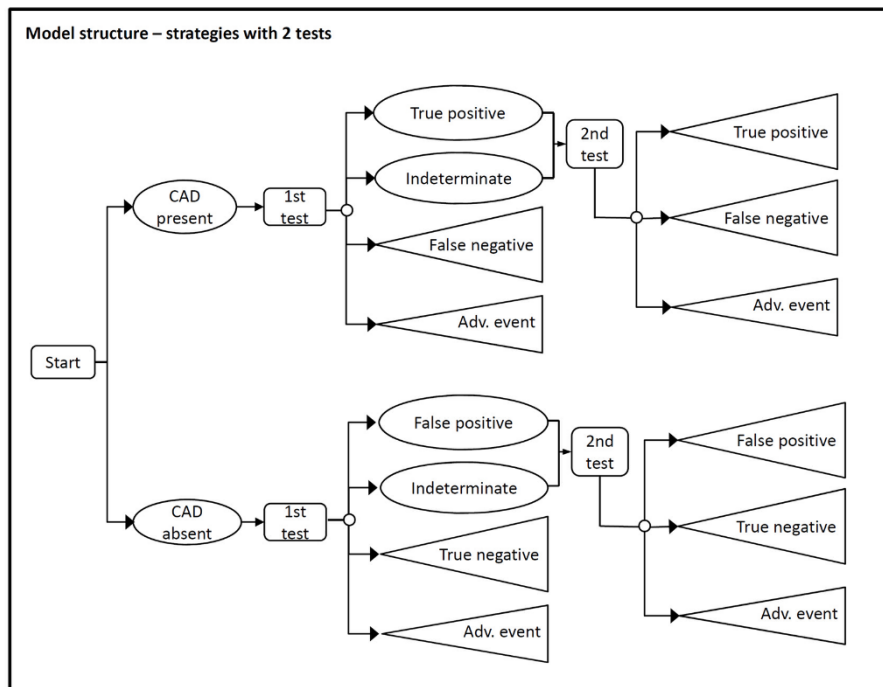
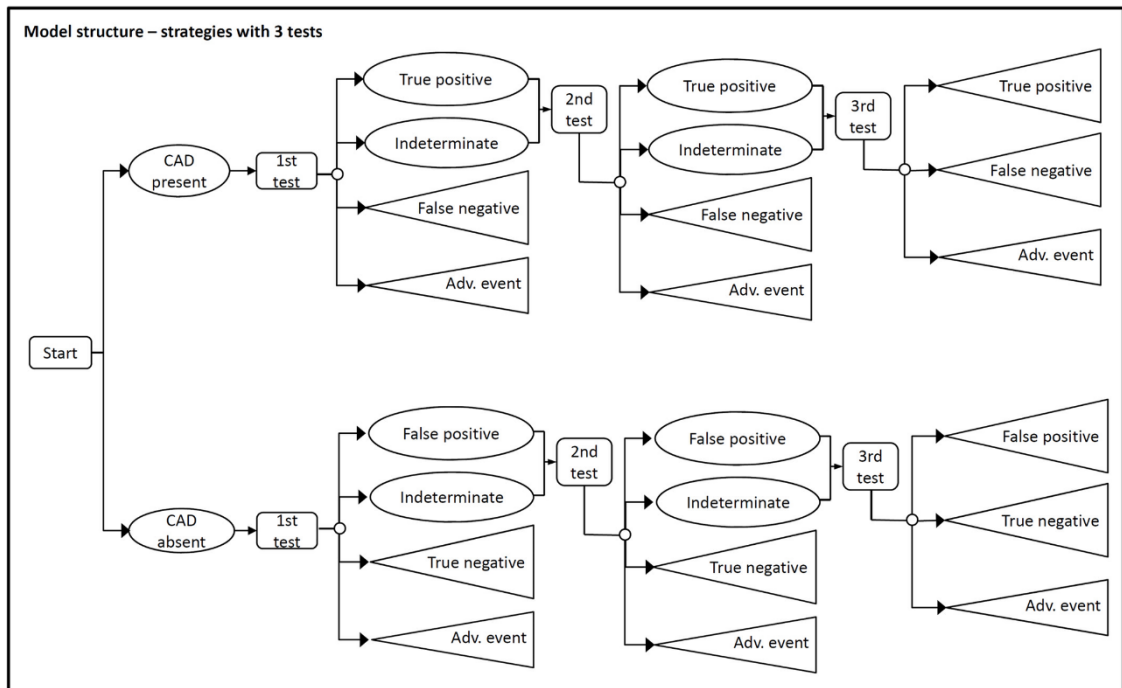


**Supplementary Table A:** Mean cumulative radiation dose per patient in each modelled strategy.

<b>Strategy</b>	<b>Tests</b>	<b>Avg. dose (MSv)</b>
1	Ex-ECG -> ECHO -> CA	3.9
2	Ex-ECG -> CTA -> CA	9.3
3	Ex-ECG -> SPECT -> CA	9.8
4	Ex-ECG -> CA	5.8
5	SPECT -> CA	16.4
6	ECHO -> CA	6.1
7	ECHO -> CTA -> CA	10.2
8	C-MRI -> CA	5.7
9	CTA -> CA	15.1
10	CA -> ECHO	10
11	CA -> SPECT	11

Ex-ECG = exercise electrocardiogram; ECHO = stress echocardiogram; SPECT = single-photon emission computed tomography; CTA = computed tomography coronary angiogram; C-MRI = cardiac magnetic resonance; CA = invasive coronary angiography

**Supplementary Figure A: Detailed depiction of model structure**



CAD = Coronary artery disease.