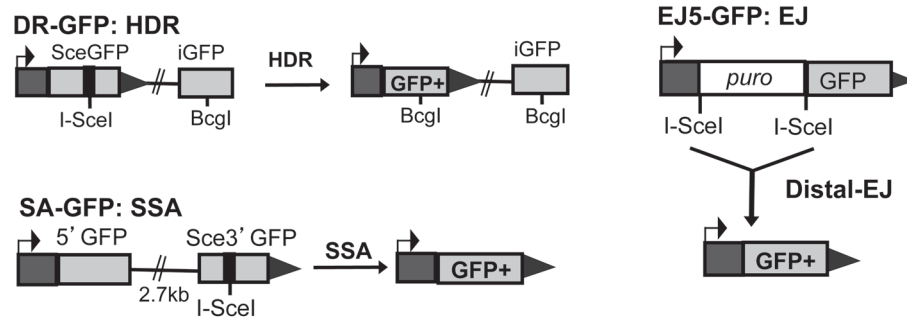


PRPF8 is important for BRCA1-mediated homologous recombination

SUPPLEMENTARY MATERIALS

DSB reporter assays



Supplementary Figure 1: Shown are diagrams of the DR-GFP, SA-GFP, and EJ5-GFP reporter assays.