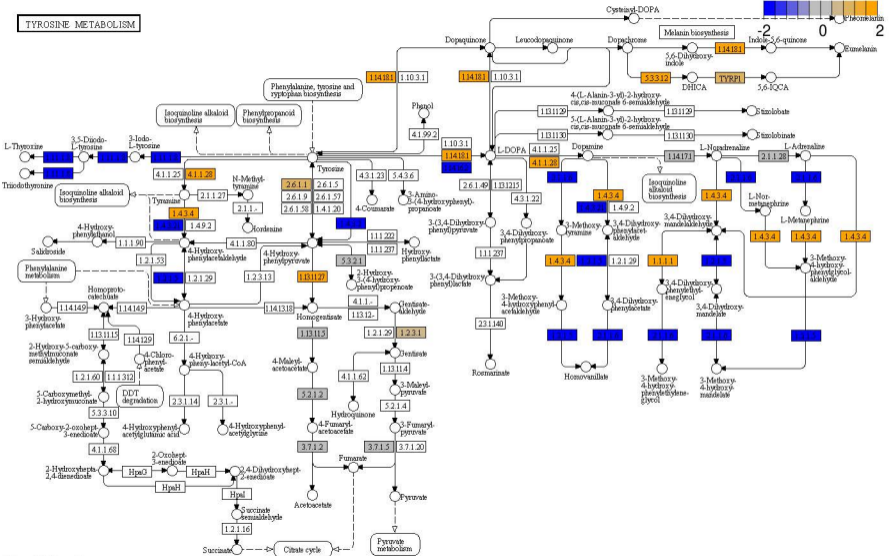
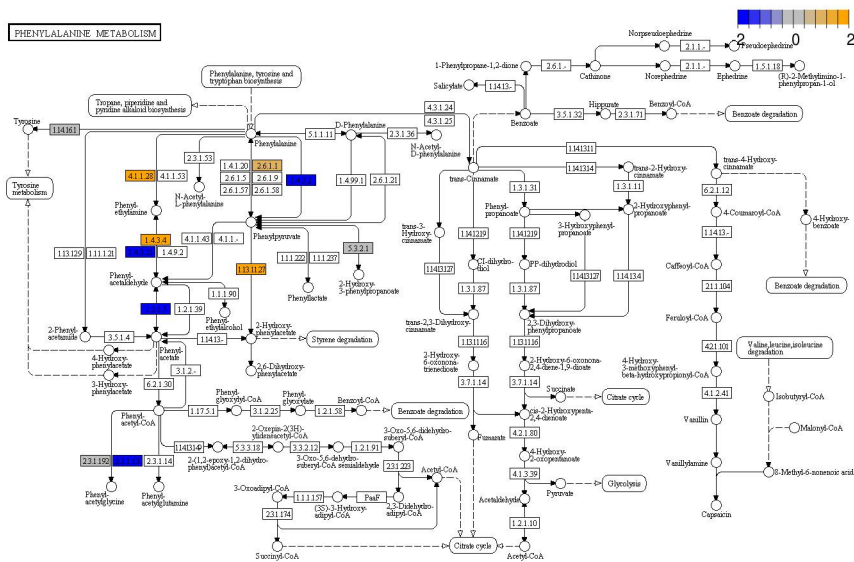


S7A Fig

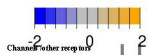
TYROSINE METABOLISM



PHENYLALANINE METABOLISM

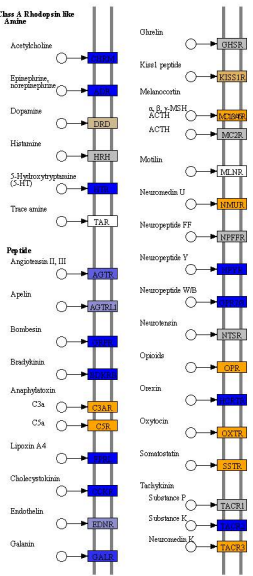


NEUROACTIVE LIGAND-RECEPTOR INTERACTION

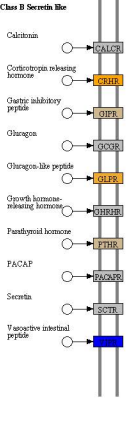
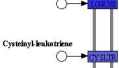
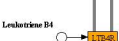
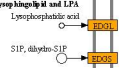
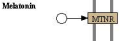
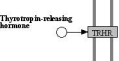
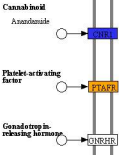
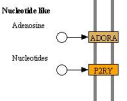
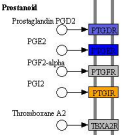
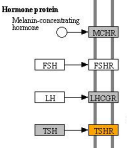
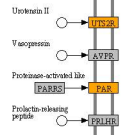
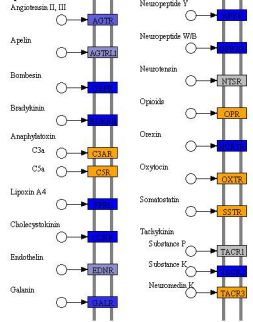


GPCRs

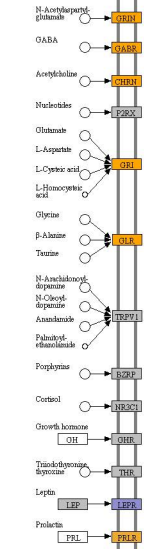
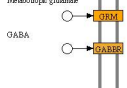
Class A Rhodopsin like Amine



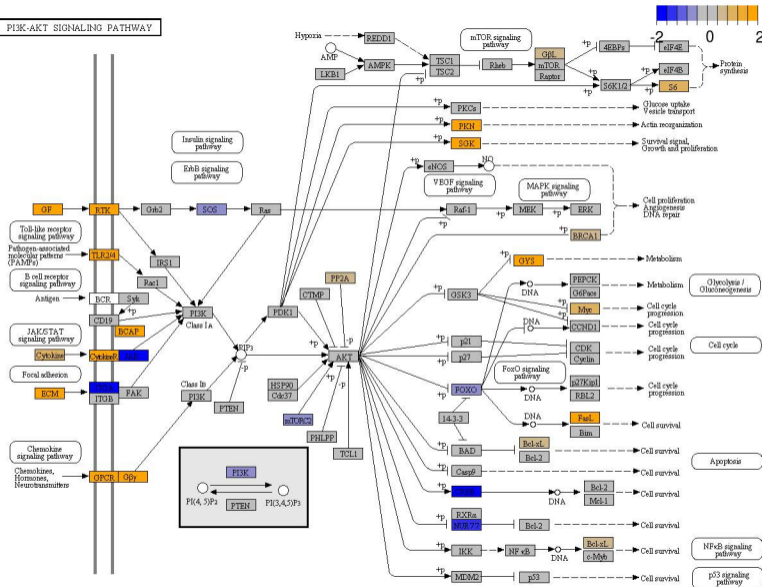
Peptide



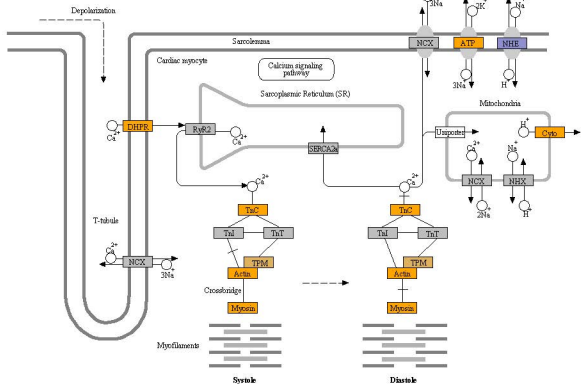
Class C Metabotropic glutamate / hormone



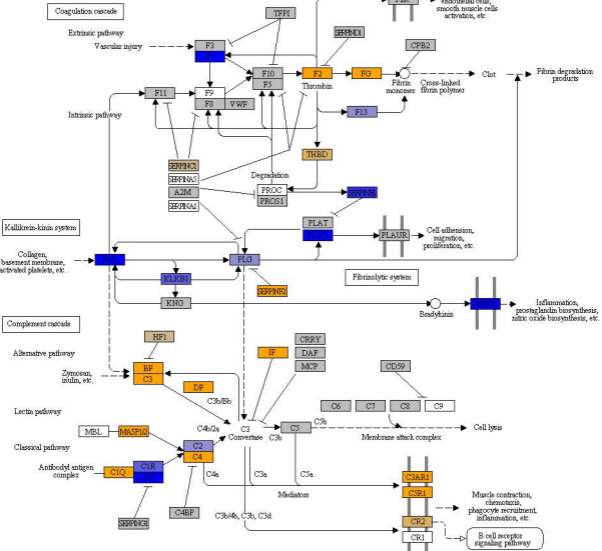
PI3K-AKT SIGNALING PATHWAY



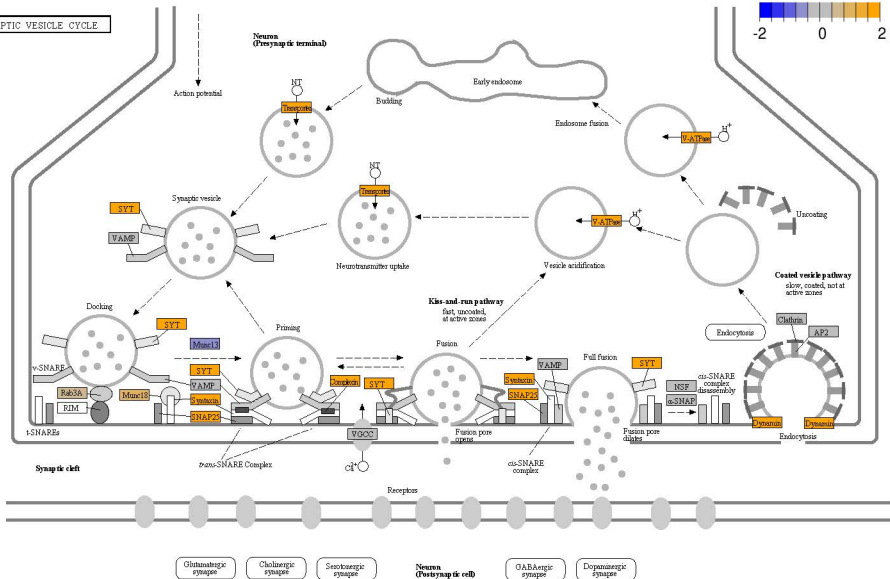
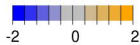
CARDIAC MUSCLE CONTRACTION



COMPLEMENT AND COAGULATION CASCADES

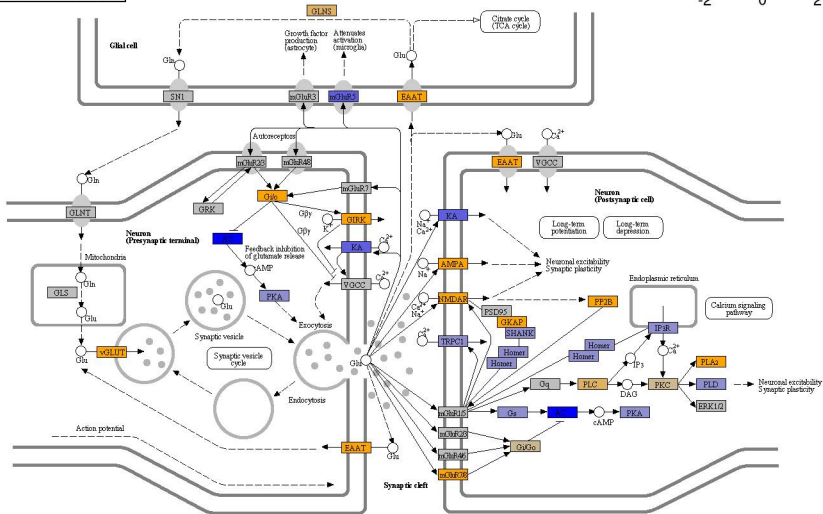
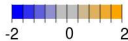


SYNAPTIC VESICLE CYCLE

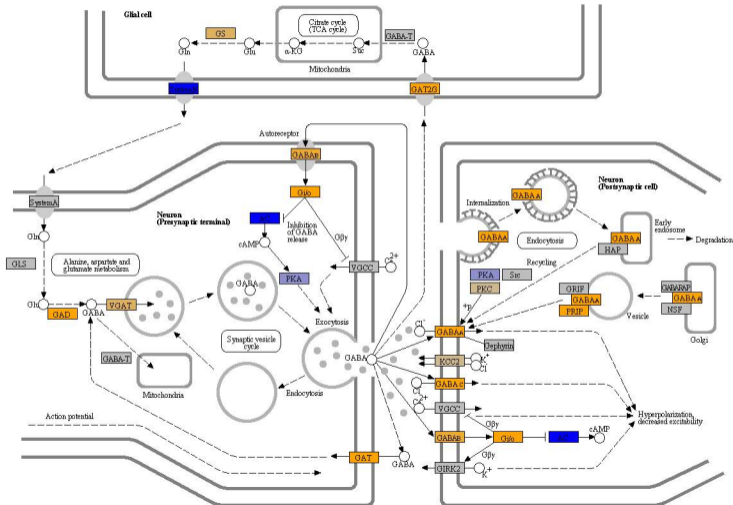
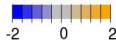


- Glutamatergic synapse
- Cholinergic synapse
- Serotonergic synapse
- Neuron (Postsynaptic cell)
- GABAergic synapse
- Dopaminergic synapse

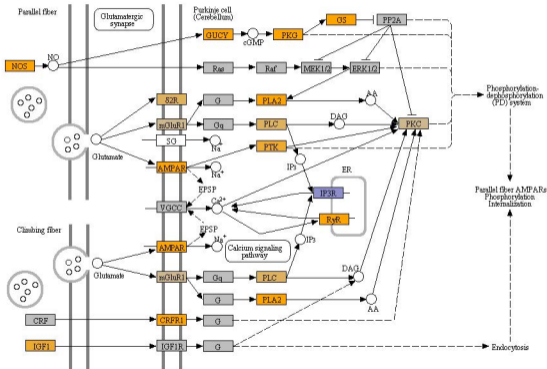
GLUTAMATERGIC SYNAPSE



GABAergic SYNAPSE



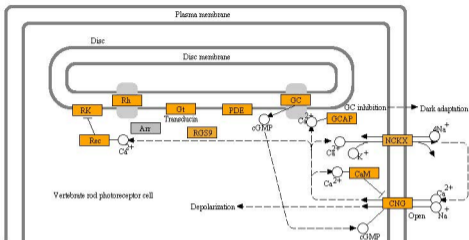
LONG-TERM DEPRESSION



PHOTOTRANSDUCTION

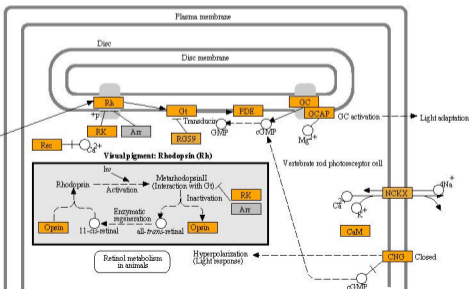


DARK

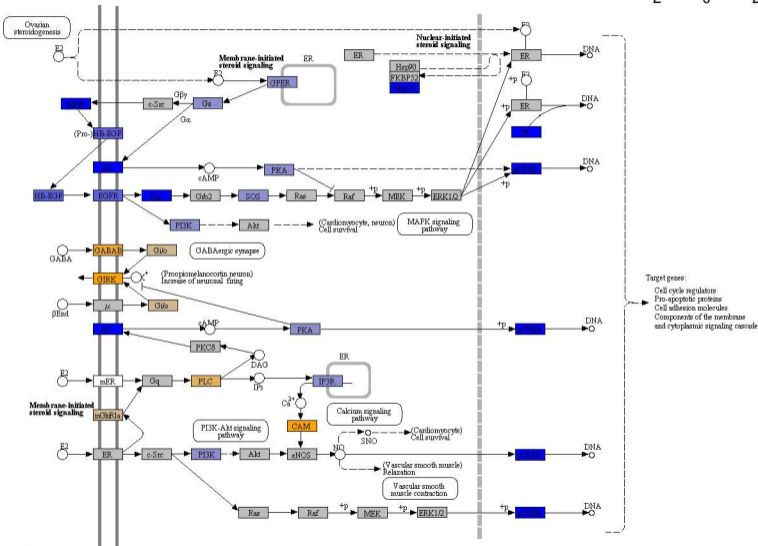
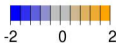


LIGHT

LIGHT
hv

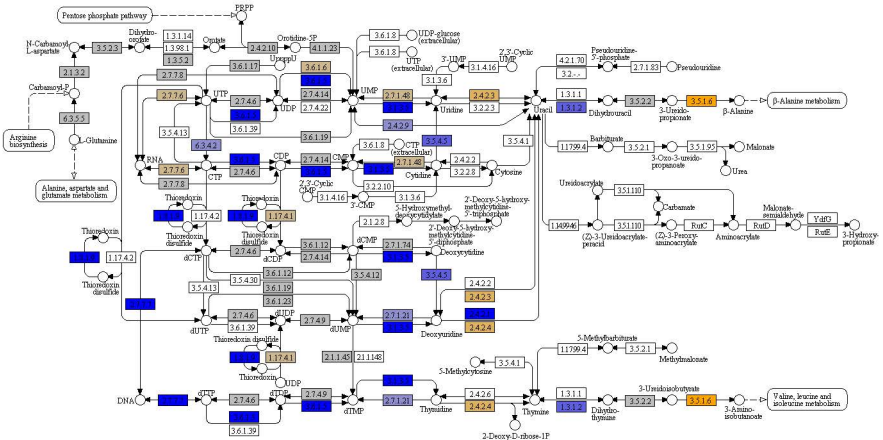
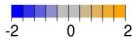


ESTROGEN SIGNALING PATHWAY

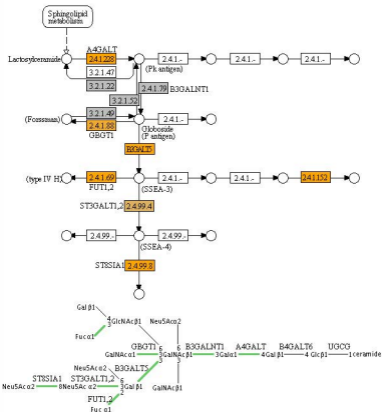


S7B Fig

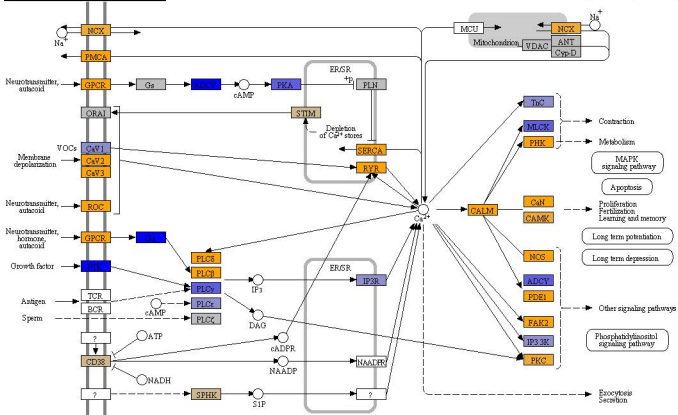
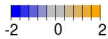
PYRIMIDINE METABOLISM



GLYCOSPHINGOLIPID BIOSYNTHESIS - GLOBOSERIE



CALCIUM SIGNALING PATHWAY



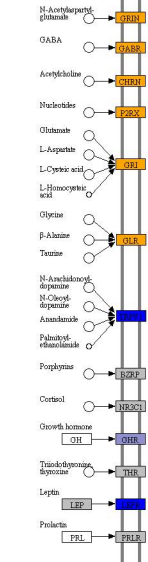
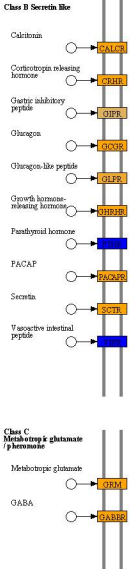
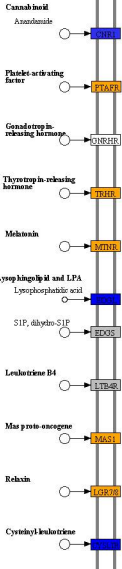
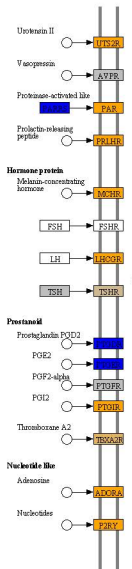
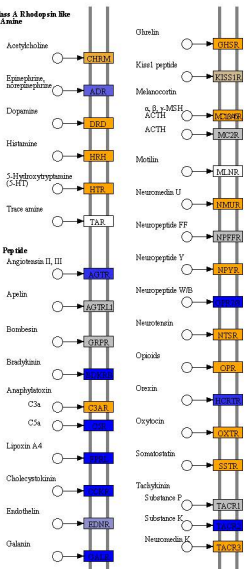
NEUROACTIVE LIGAND-RECEPTOR INTERACTION



Channel number

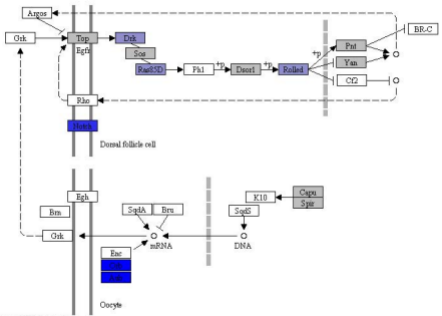
GPCRs

Class A Rhodopsin like Amino



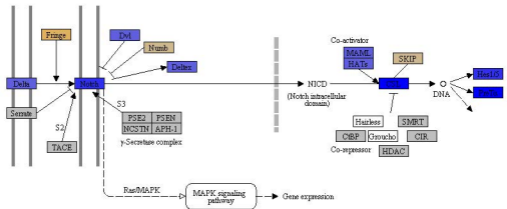


DORSO-VENTRAL AXIS FORMATION (Grk/Egfr)

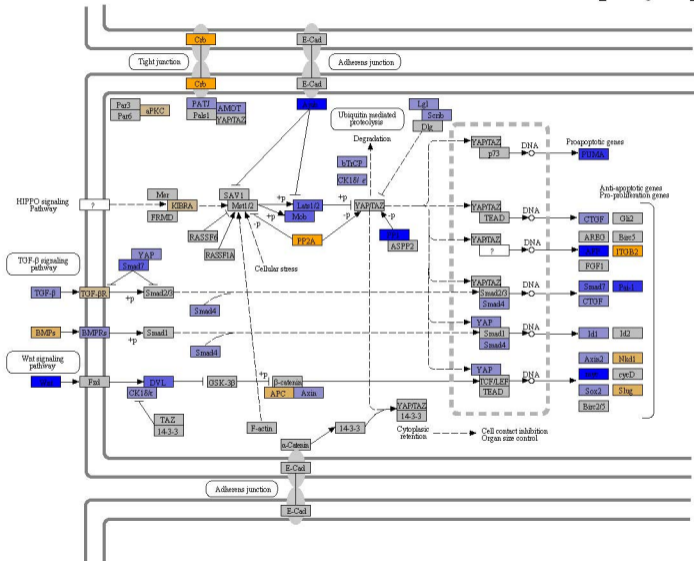
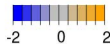




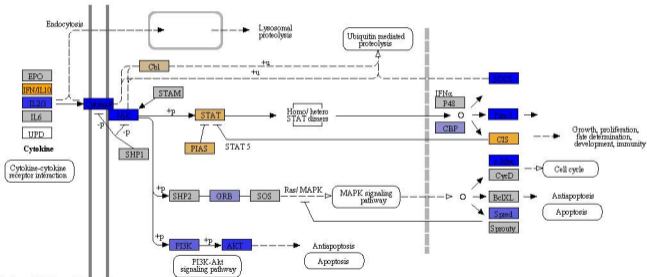
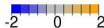
NOTCH SIGNALING PATHWAY



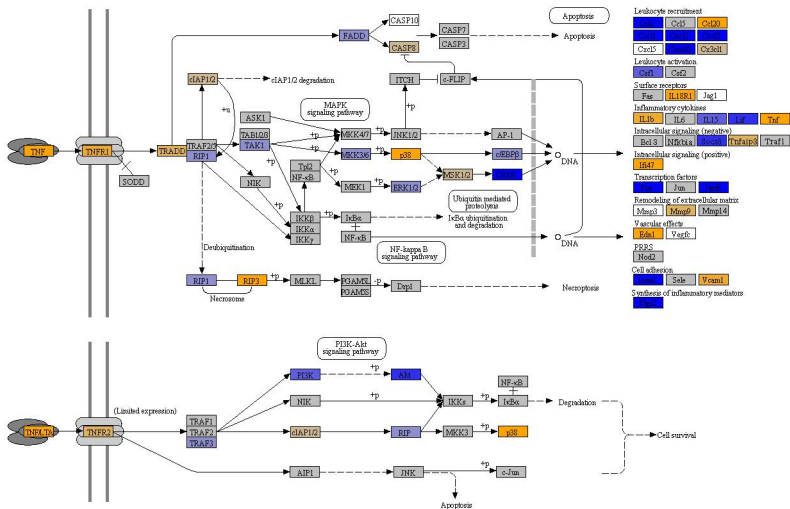
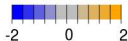
HIPPO SIGNALING PATHWAY



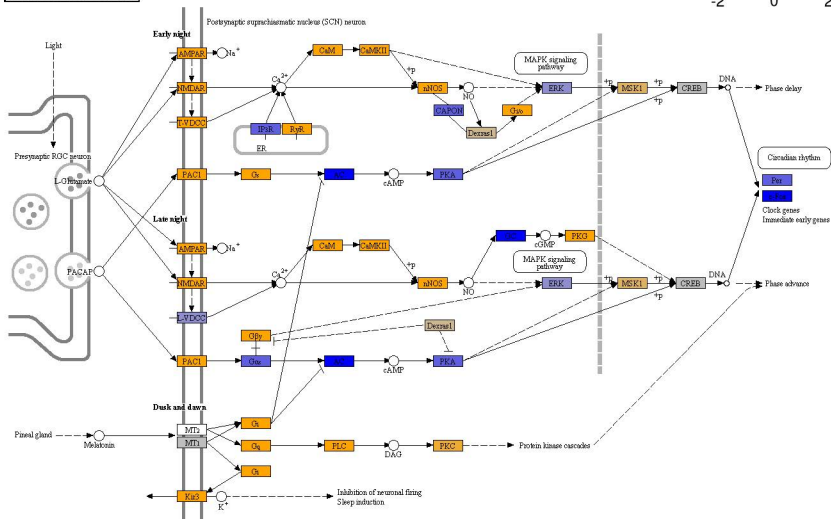
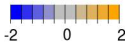
JAK-STAT SIGNALING PATHWAY



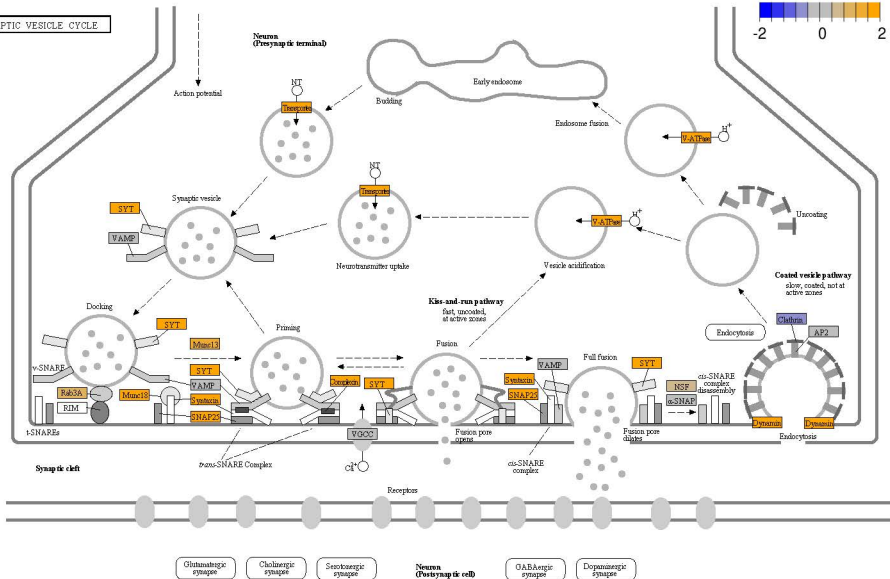
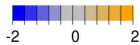
TNF SIGNALING PATHWAY



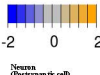
CIRCADIAN ENTRAINMENT



SYNAPTIC VESICLE CYCLE

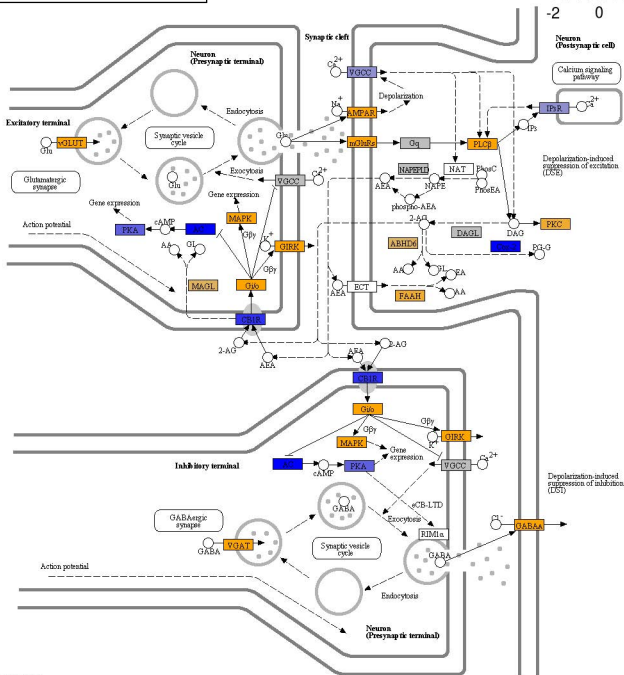


- Glutamatergic synapse
- Cholinergic synapse
- Serotonergic synapse
- Neuron (Postsynaptic cell)
- GABAergic synapse
- Dopaminergic synapse

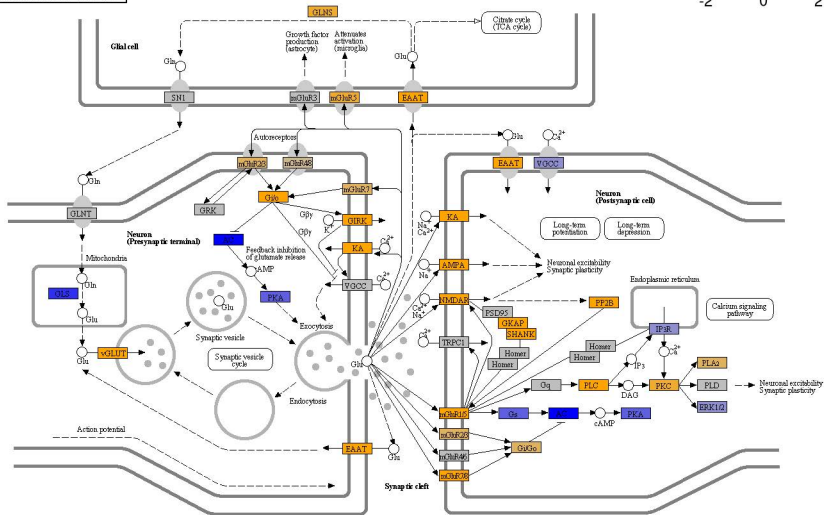
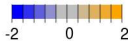
RETROGRADE ENDOCANNABINOID SIGNALING

 Neuron
(Presynaptic cell)

Calcium signaling pathway

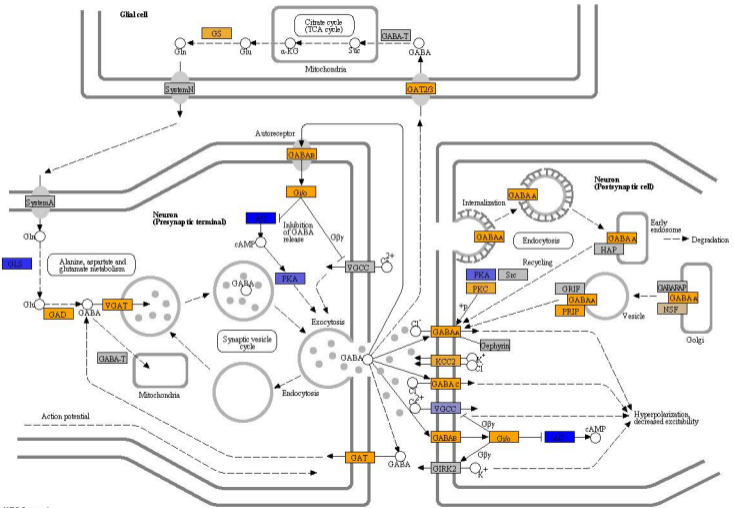
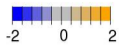
 Depolarization-induced
upregulation of excitation
(DUE)

 Depolarization-induced
upregulation of inhibition
(DIU)

 Data on KEGG graph
 Rendered by Pathview

GLUTAMATERGIC SYNAPSE



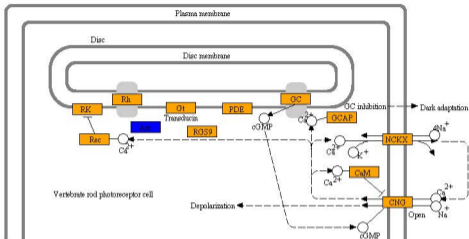
GABAergic SYNAPSE



PHOTOTRANSDUCTION

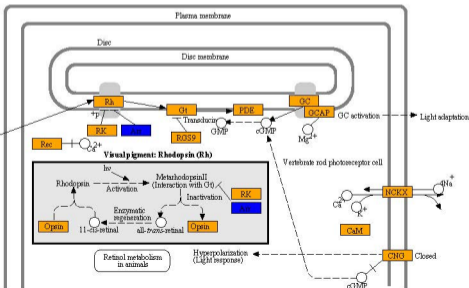


DARK



LIGHT

LIGHT
hv



PROTEIN DIGESTION AND ABSORPTION

