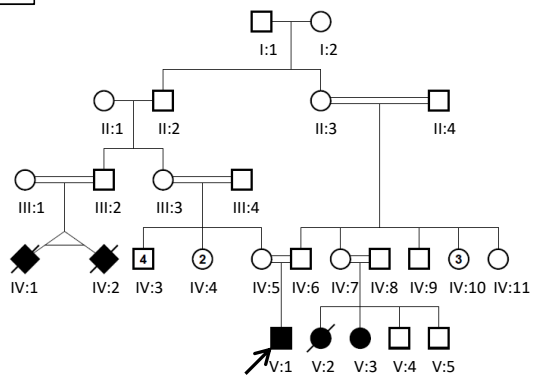


Figure S1

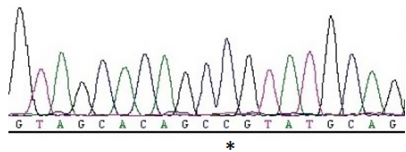
A



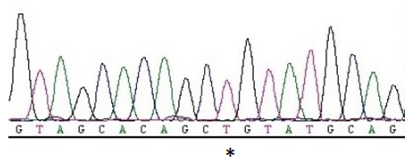
16DG0226

C

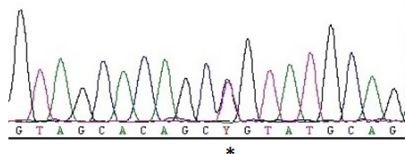
Affected



NC



Unaff  
Parent



*CYP51A1*:NM\_000786:c.695T>C:p.L232P

B

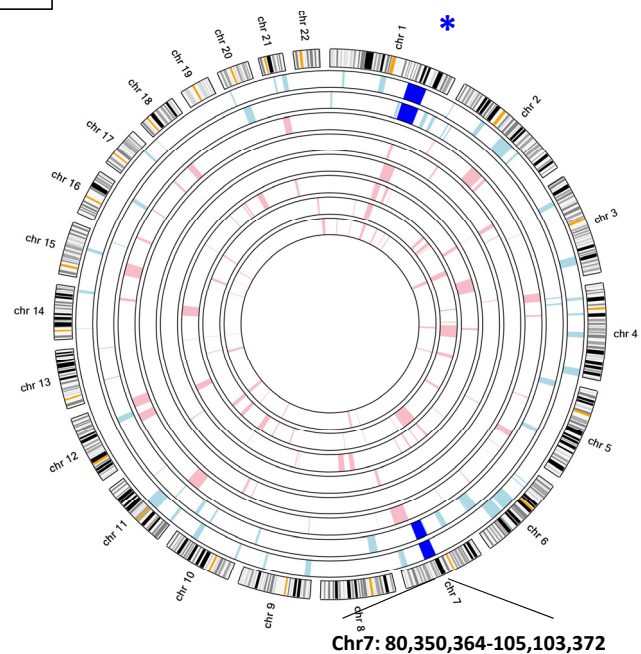


Figure S2

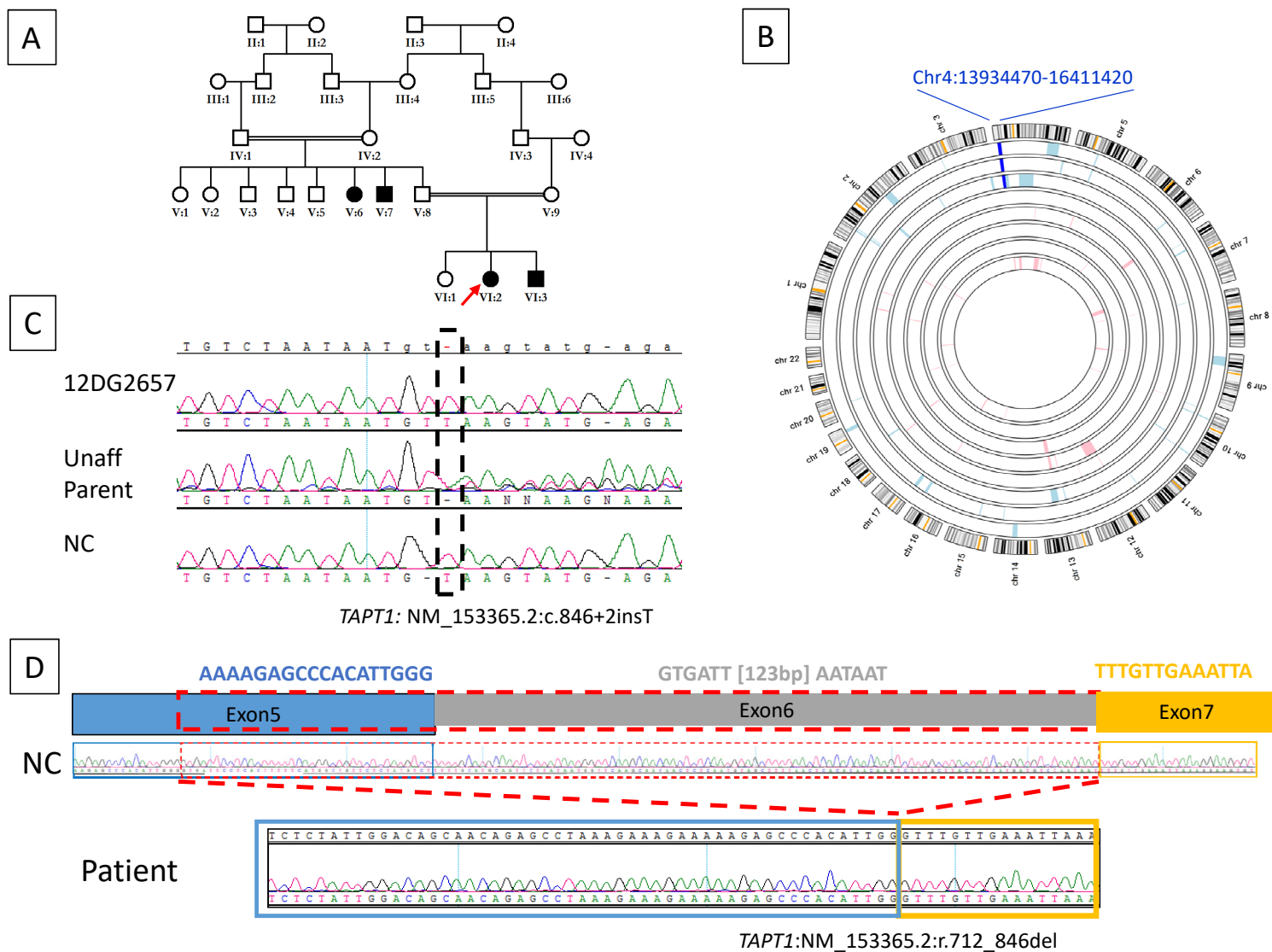


Figure S3

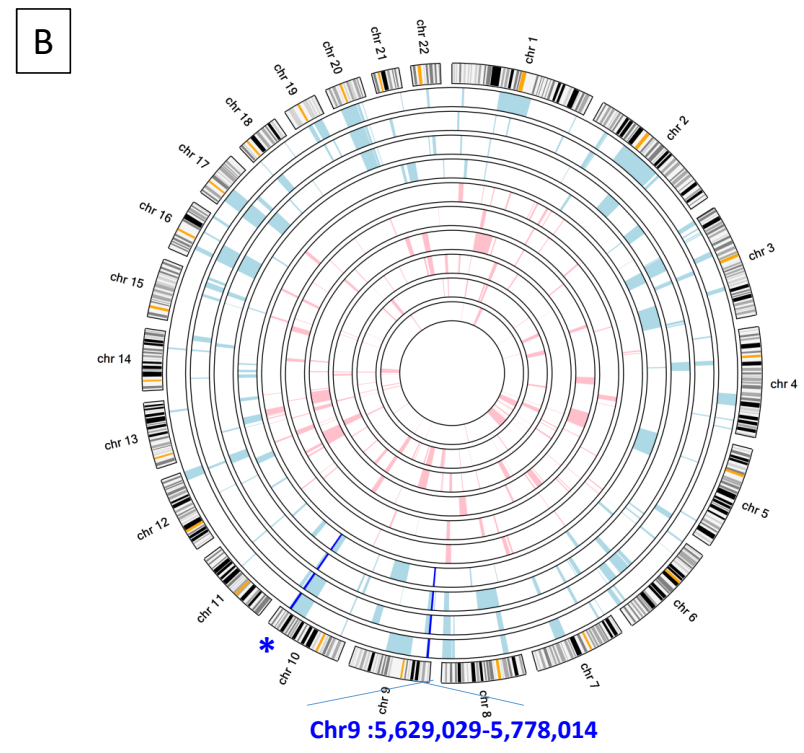
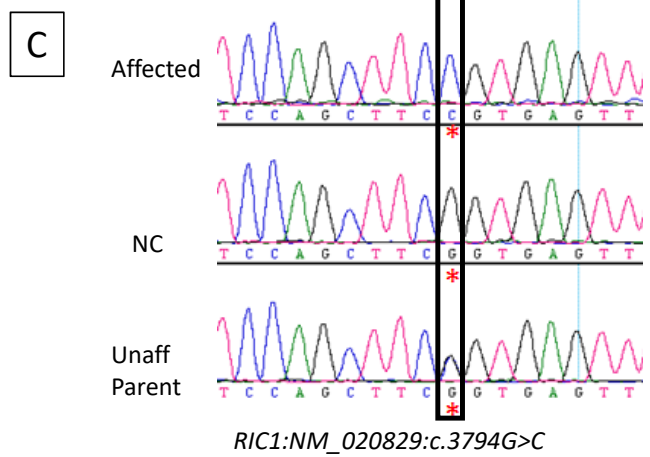
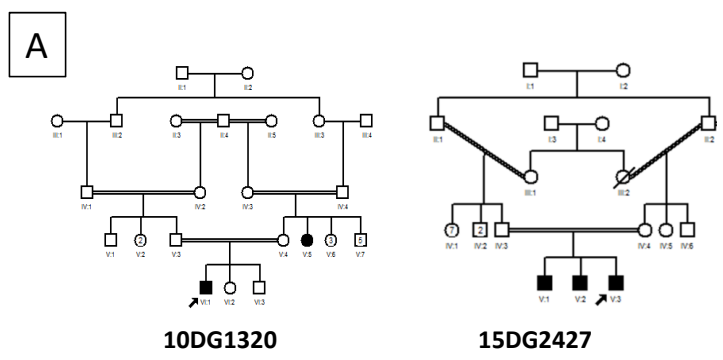
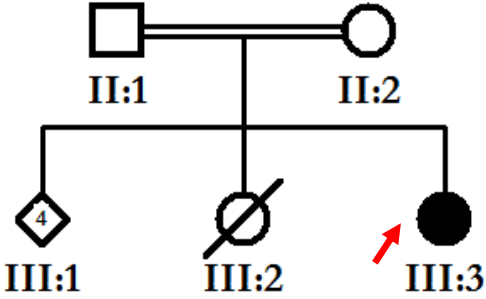
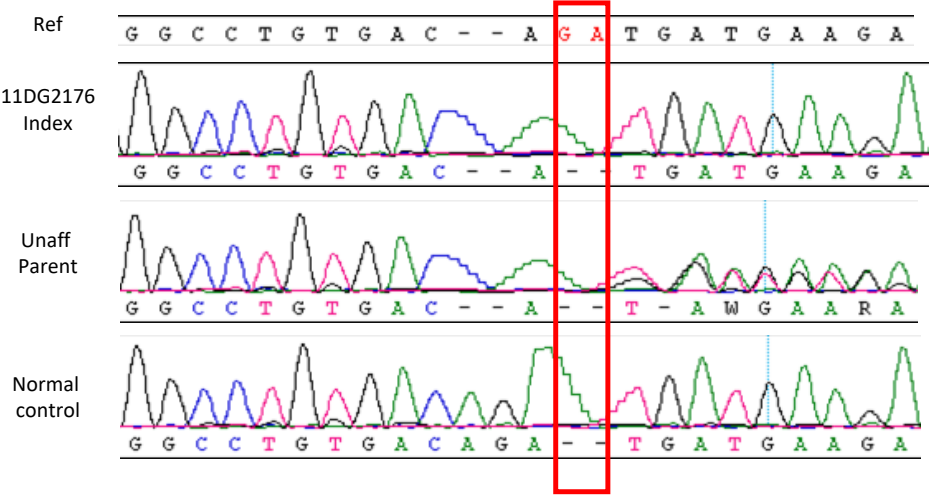


Figure S4

A



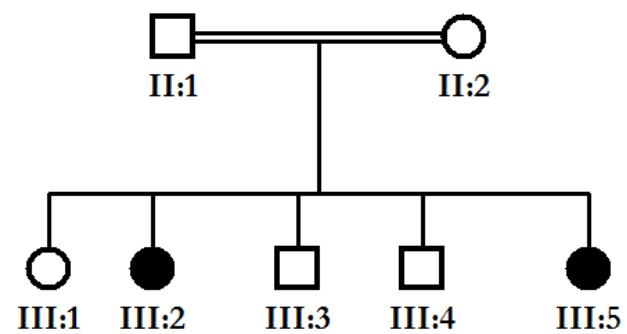
B



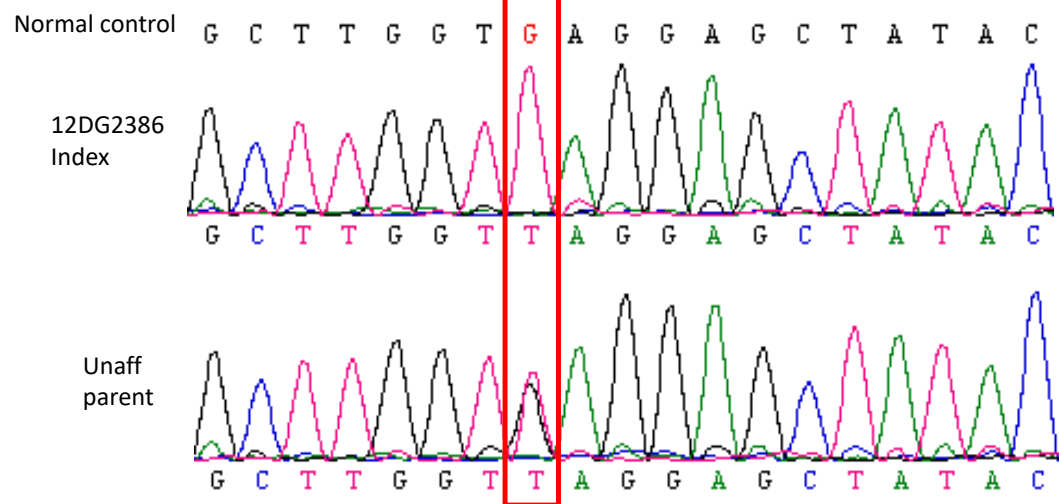
TAF1A: NM\_001201536.1:c.40\_41del;p.(Asp14\*)

Figure S5

A



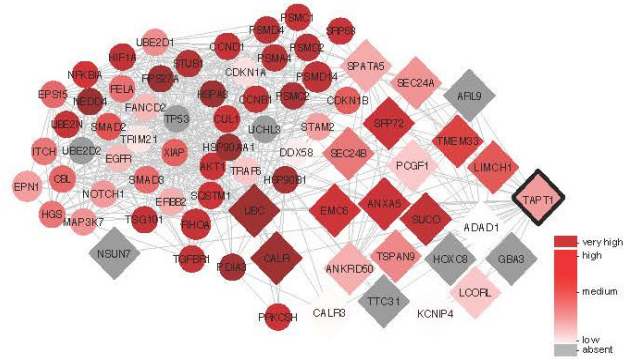
B



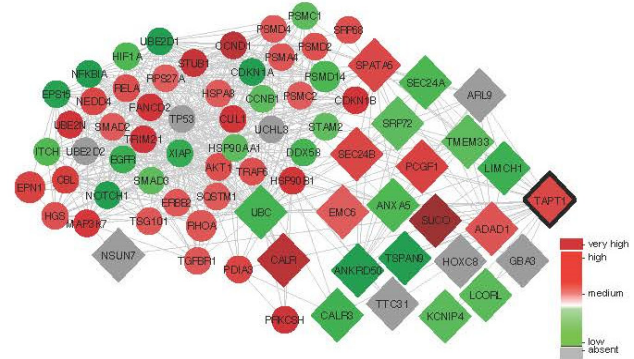
*WDR87*: NM\_031951.4:c.856G>T;p.(Glu286\*)

Figure S6

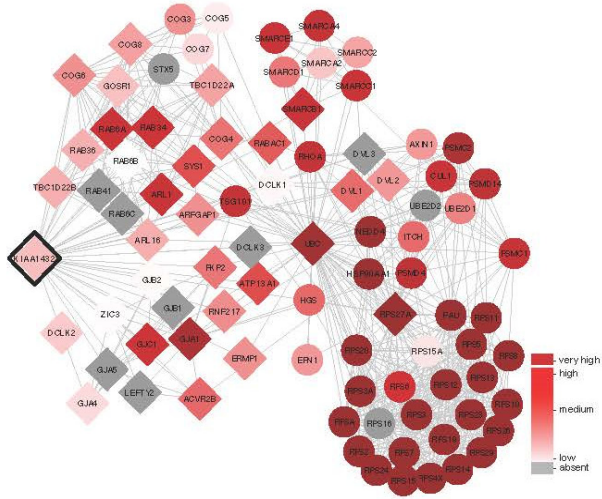
A. *TAPT1* network with *iSyTE* E10.5 expression overlay



B. *TAPT1* network with *iSyTE* E10.5 enrichment overlay



C. *KIAA1432* network with *iSyTE* E10.5 expression overlay



D. *KIAA1432* network with *iSyTE* E10.5 enrichment overlay

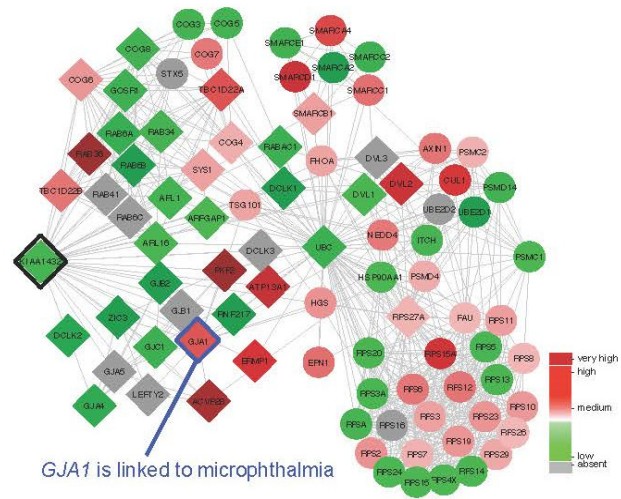
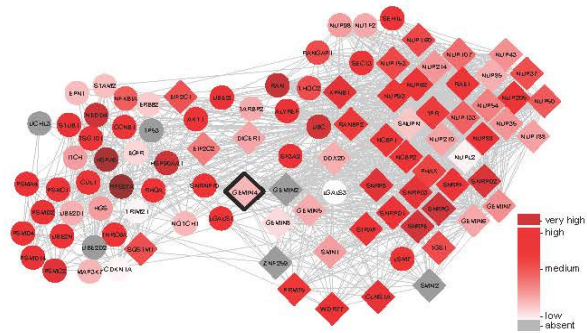
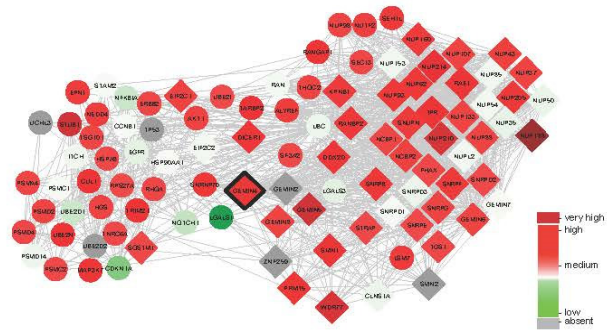


Figure S7

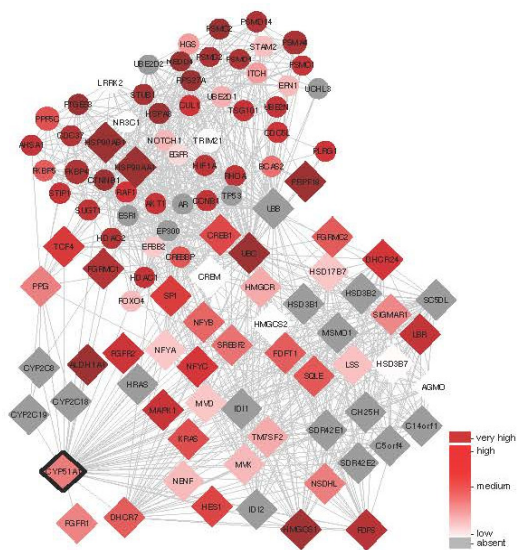
A. *GEMIN4* network with *iSyTE* E10.5 expression overlay



B. *GEMIN4* network with *iSyTE* E10.5 enrichment overlay



C. *CYP51A1* network with *iSyTE* E10.5 expression overlay



D. *CYP51A1* network with *iSyTE* E10.5 enrichment overlay

